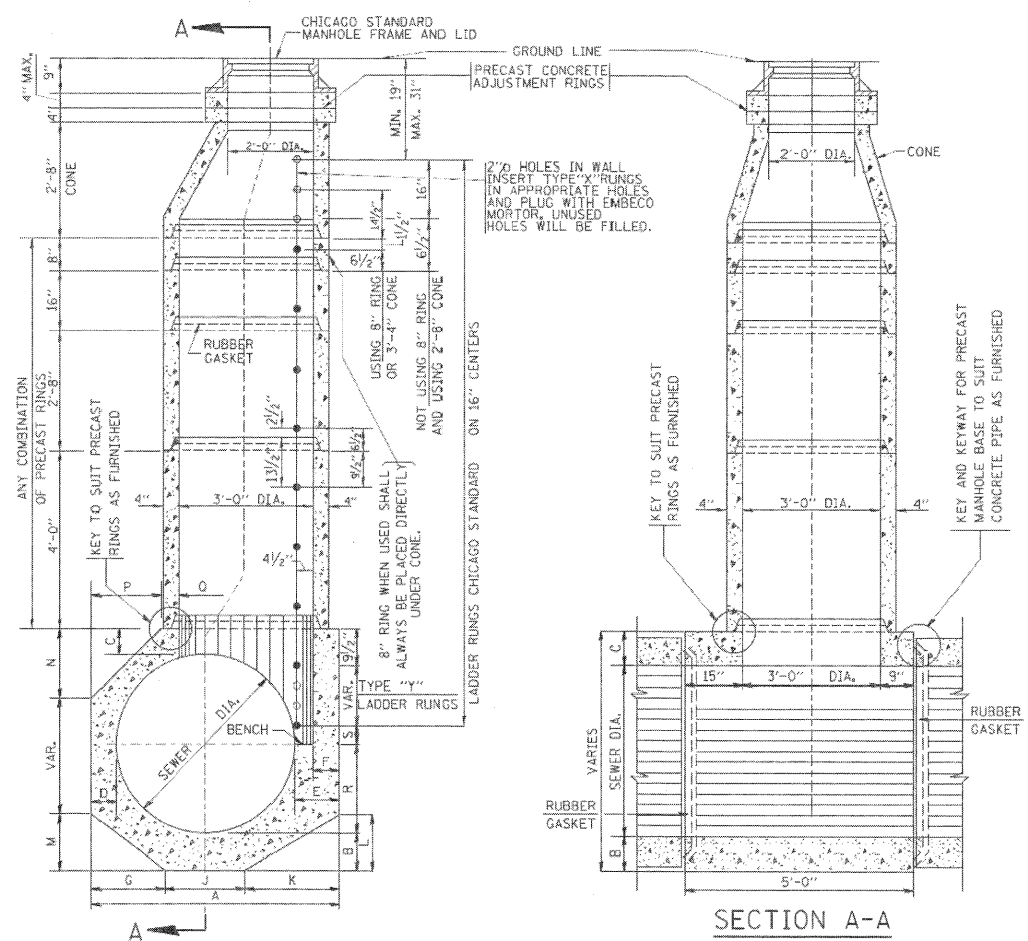
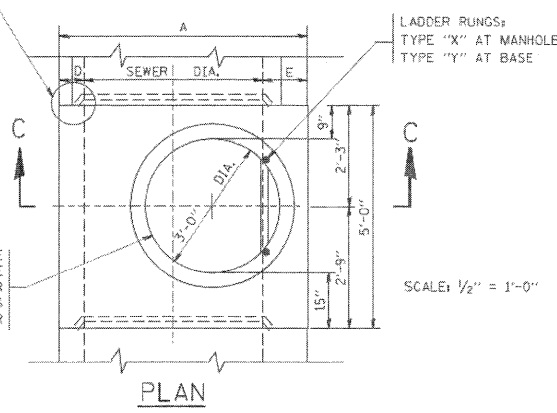


F.A. RTE.	SECTION	COUNTY	TOTAL SHEETS	SHEET NO.
55	1717.2-3B-R	COOK	114	105
STA.		TO STA.		
FED. ROAD DIST. NO.		ILLINOIS FED. AID PROJECT		

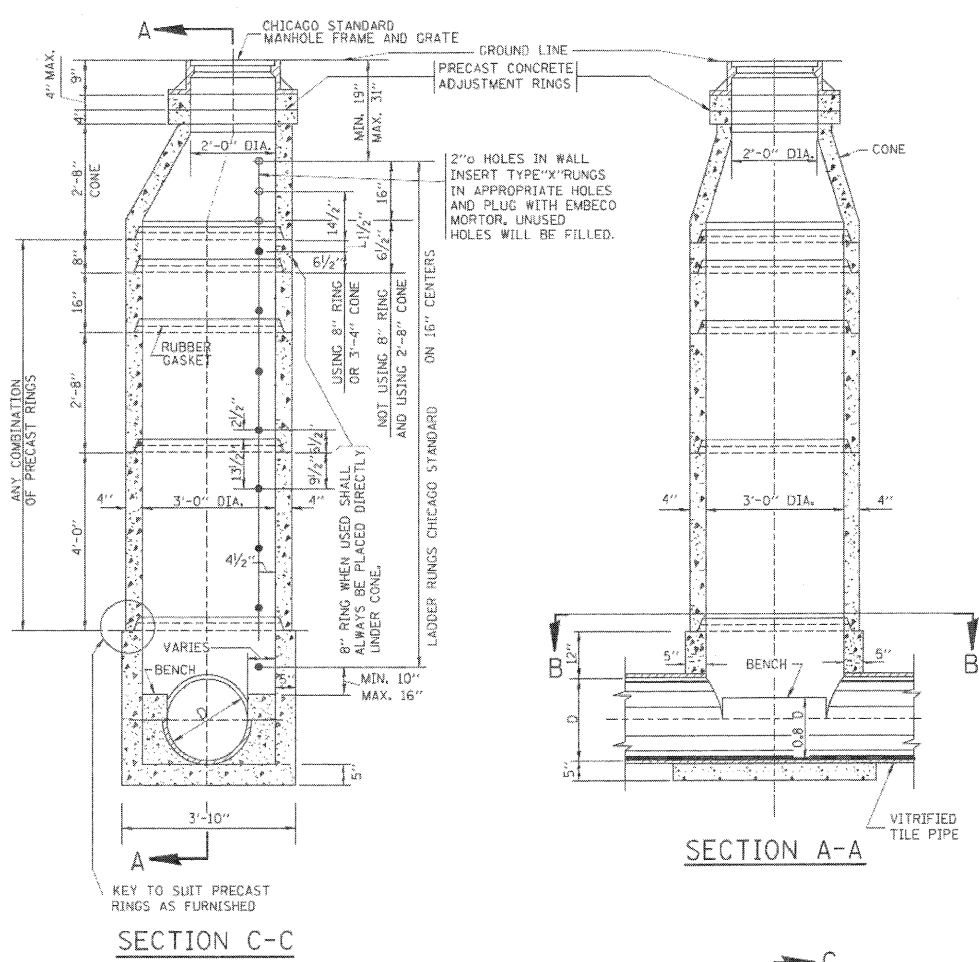


SECTION C-C



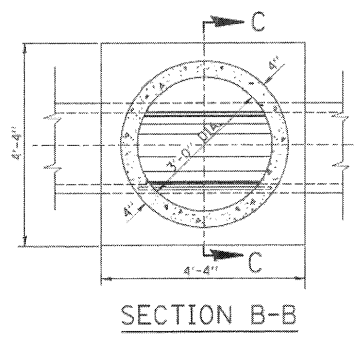
PLAN

TYPE "A" MANHOLE  
FOR SEWERS  
24" TO 120" DIAMETER  
PRECAST BASES AND RINGS



SECTION C-C

TYPE "A" MANHOLE  
FOR SEWERS  
21" DIAMETER AND SMALLER  
PRECAST BASES AND RINGS



SECTION B-B

SCALE: 1/2" = 1'-0"

SEWER DIA.	PART OF ITEM	DIMENSIONS OF PRECAST MANHOLE BASE																NO. "Y" RINGS
		A	B	C	D	E	F	G	H	J	K	L	M	N	P	Q	R	
120"	---	12'-4 1/2"	12"	12"	12"	16 1/2"	12"	4'-0"	4'-0"	4'-4 1/2"	2'-7 1/2"	2'-5"	3'-7"	3'-7"	4'-8 1/2"	2'-0"	2 1/2"	7
108"	---	11'-4 1/2"	12"	12"	12"	16 1/2"	12"	3'-8"	3'-8"	4'-0 1/2"	2'-5"	2'-2"	3'-4"	3'-4"	4'-0 1/2"	2'-0"	6 1/2"	6
102"	---	10'-10 1/2"	12"	12"	12"	16 1/2"	12"	3'-6"	3'-6"	3'-10 1/2"	2'-4"	2'-1"	3'-2"	3'-2"	3'-8 1/2"	2'-0"	16 1/2"	5
96"	10-A	10'-2 1/2"	11"	11"	11"	15 1/2"	11"	3'-3"	3'-3"	3'-8 1/2"	2'-3"	2'-11"	2'-11"	3'-4 1/2"	2'-0"	9 1/2"	5	5
90"	10-B	9'-8 1/2"	11"	11"	11"	15 1/2"	11"	3'-1"	3'-1"	3'-6 1/2"	2'-1 1/2"	2'-2"	2'-10"	2'-10"	2'-11 1/2"	2'-0"	3 1/2"	5
84"	10-C	9'-0 1/2"	10"	10"	10"	14 1/2"	10"	2'-11"	2'-11"	3'-2 1/2"	2'-3"	2'-1"	2'-7"	2'-7"	2'-7 1/2"	2'-0"	12 1/2"	4
78"	10-D	8'-6 1/2"	10"	10"	10"	14 1/2"	10"	2'-9"	2'-9"	3'-0 1/2"	2'-2"	2'-0"	2'-6"	2'-6"	2'-2 1/2"	2'-0"	6 1/2"	4
72"	10	7'-10 1/2"	9"	9"	9"	13 1/2"	9"	2'-6"	2'-6"	2'-10 1/2"	2'-1"	1'-8"	2'-3"	2'-3"	2'-2 1/2"	2'-0"	15 1/2"	3
66"	11	7'-4 1/2"	9"	9"	9"	13 1/2"	9"	2'-4"	2'-4"	2'-8 1/2"	1'-9 1/2"	1'-7"	2'-1"	2'-1"	1'-8 1/2"	2'-0"	9 1/2"	3
60"	12	6'-8 1/2"	8"	8"	8"	12 1/2"	8"	2'-1 1/2"	2'-1"	2'-6"	1'-8"	1'-5"	2'-3"	2'-3"	1'-3 1/2"	2'-0"	2 1/2"	3
54"	13	6'-2 1/2"	8"	8"	8"	12 1/2"	8"	2-3 1/2"	2-3"	2'-4"	1'-7"	1'-4"	2-1"	2-1"	1'-9 1/2"	2'-0"	12 1/2"	2
48"	14	5'-6 1/2"	7"	7"	7"	11 1/2"	7"	2-0 1/2"	2-1"	2'-1"	1'-5"	1'-2"	1-8 1/2"	1-8 1/2"	1'-5"	2'-0"	5 1/2"	2
42"	15	5'-0 1/2"	7"	7"	7"	11 1/2"	7"	1-8 1/2"	1-9"	1-9"	1'-4"	1'-1"	---	---	1-7 1/2"	2'-0"	2 1/2"	2
36"	16	4'-4 1/2"	6"	6"	6"	10 1/2"	6"	1-6"	1-6"	2-0 1/2"	1-2 1/2"	1-1"	---	---	1-10 1/2"	1'-0"	14 1/2"	1
30"	17	4'-0"	6"	6"	6"	12"	6"	1-4"	1-4"	2-0"	1-2"	1-1"	---	---	6"	1'-0"	11 1/2"	1
24"	18	4'-0"	6"	6"	6"	12"	6"	1-6"	1-6"	1-6"	1-1"	1-1"	---	---	6"	1'-0"	8 1/2"	1

FOR STATE CONTRACT  
ALL DIMENSIONS SHOULD  
BE PREPARED IN METRIC  
UNITS SOFT CONVERSION  
METHOD SHOULD BE USED.

PLOT DATE = 2/15/2007  
FILE NAME = K:\chicago\1717.2-3B-R.dgn  
PLOT SCALE = 1/2" = 1'-0"  
USER NAME = bboard

REVISIONS		DATE
NAME		
		6-18-82
		9-22-90

ILLINOIS DEPARTMENT OF TRANSPORTATION

**CITY OF CHICAGO  
DRAINAGE  
DETAILS**

SCALE: VERT. NONE  
HORIZ. 1/2" = 1'-0"

DRAWN BY  
CHECKED BY  
B0600-12 (BD-9)