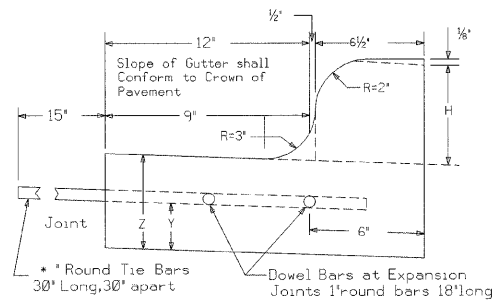


F.A.I. RTE.	SECTION	COUNTY	TOTAL SHEETS	SHEET NO.
57	2021.1B-R	COOK	101	058
STA.		TO STA.		
FED. ROAD DIST. NO. 1		ILLINOIS	FED. AID PROJECT	
CONTRACT NO. 62532				

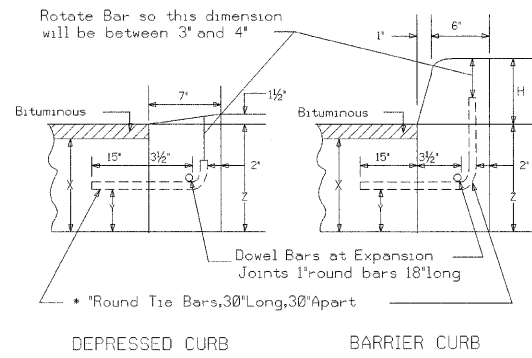
DETAILS OF P.C.C. CURB, GUTTER, COMBINED CURB & GUTTER, MODIFIED CURB & GUTTER

NOTE: H = Variable (See Plan) where H exceeds 12", use Special Type of C.C.&G
 See Construction Details (for Miscellaneous Structures)
 X = Thickness of Pavement
 Y = One half the thickness of concrete pavement or concrete base.
 Z = 10" or thickness of Pavement - Whichever is GREATER

TYPE BV.12 OR TYPE 3 CURB & GUTTER



TYPE B OR TYPE 4 CURB



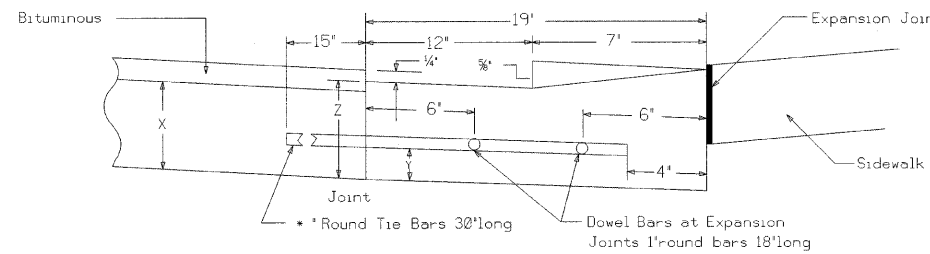
JOINTS IN CURB, GUTTER, COMBINED CURB & GUTTER

Transverse Joints of a type similar to that used in the adjacent pavement shall be installed in the curb, gutter and Combined Curb & Gutter in prolongation with the joints in the pavement. The details of the Transverse Joints in the Curb, Gutter and Combined Curb & Gutter shall be Approved by the COMMISSIONER, Curb, Gutter or Combined Curb & Gutter is constructed adjacent to a flexible base pavement, 1" thick expansion Joints composed of Bituminous Preformed Joint Filler shall be installed in the Curb and/or Gutter at points of curvature and at construction Joints. Contraction Joints shall also be placed between these expansion joints at distances not exceeding 20 feet. All Tie Bars shall be corrugated - all Dowel Bars shall be smooth.

BASIS OF PAYMENT

The cost of all joints, including labor, furnishing and placing of steel, filler and all other incidentals shall be included in the unit Prices Bid for Type BV.12 or Type 3 Combined Concrete Curb and Gutter, Type 4 or Type B Concrete Curb or any specified special type of curb, gutter or curb and gutter. Unless otherwise specified, the placement of tie bars shall be bid separately.

DEPRESSED CURB & GUTTER



If no item is provided for Depressed Curb and Gutter, it will be paid for as Type BV.12 or Type 3 Combination Concrete Curb and Gutter.

REVISIONS	
NAME	DATE

ILLINOIS DEPARTMENT OF TRANSPORTATION
 111TH STREET OVER
 F.A.I. ROUTE 57 (INTERSTATE 57)

**CITY OF CHICAGO DETAIL
 COMB CURB & GUTTER BV.12**

SCALE: N.T.S. DRAWN BY: N/A
 DATE: 01/16/09 CHECKED BY: N/A

TENG

TENG & ASSOCIATES, INC.
 ENGINEERS/ARCHITECTS/PLANNERS
 225 N. MICHIGAN AVE., CHICAGO, IL 60601
 TELEPHONE: 312/616-0000

T:\DOCUMENT\930660\CHICAGO\DET00V.S.DWG
 1-16-2009, 14:42:09
 1 2 3 4 5 6 7 8 9 10 11 12 13 14 15 16 17 18 19 20 21 22 23 24 25 26 27 28 29 30 31 32 33 34 35 36 37 38 39 40 41 42 43 44 45 46 47 48 49 50 51 52 53 54 55 56 57 58 59 60 61 62 63
 RECHTER