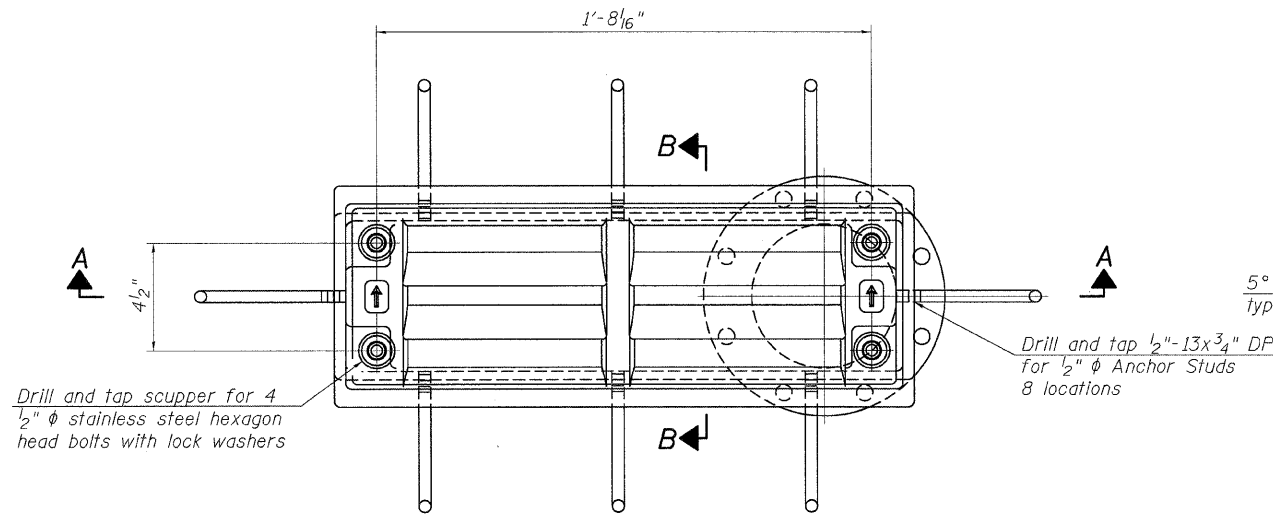
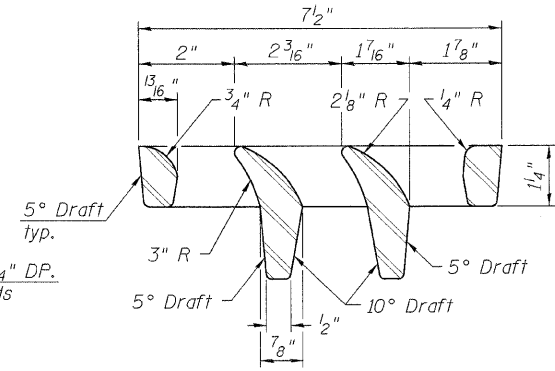


F.A.I. RTE.	SECTION	COUNTY	TOTAL SHEETS	SHEET NO.
57	2021.1B-R	COOK	101	074
STA.	TO STA.			
FED. ROAD DIST. NO. 1	ILLINOIS	FED. AID PROJECT		
CONTRACT NO. 62532				

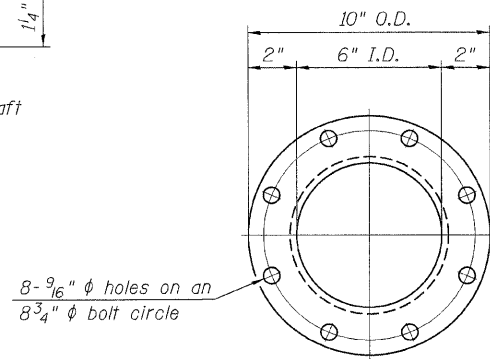
Notes:
 All cast iron parts shall be gray iron conforming to the requirements of AASHTO M 105, Class 35B.
 Bolts, anchor studs, washers and nuts shall conform to the requirements of ASTM A 307 and shall be galvanized according to AASHTO M 232.
 Downspouts located on the exterior side of a painted steel fascia beam shall be painted with the finish coat specified for the exterior side of the fascia beam.
 As an alternate, bolts, anchor studs, washers and nuts may be stainless steel according to Article 1006.29(d) of the Standard Specifications.
 Structural steel weldments of equal sections and of the same configuration may be substituted for the cast iron scupper frame. Fillet or full penetration welds shall be used for the weldments. Details shall be submitted to the Engineer for approval. Structural steel weldments shall not be substituted for the cast iron scupper grate. Structural steel frames and downspouts shall be galvanized according to AASHTO M111.
 The Contractor shall take appropriate measures to assure that Protective Coat is not applied to the scupper.
 Cost of the Grate, Frame, Downspout, Anchor Studs, Bolts, Washers and Nuts including complete installation of the scupper shall be paid for at the contract unit price each for Drainage Scupper, DS-12.
 Alternate fiberglass downspout conforming to ASTM D 2996 with a short-time rupture strength hoop tensile stress of 30,000 psi min. may be used in lieu of the cast iron or steel equivalent.



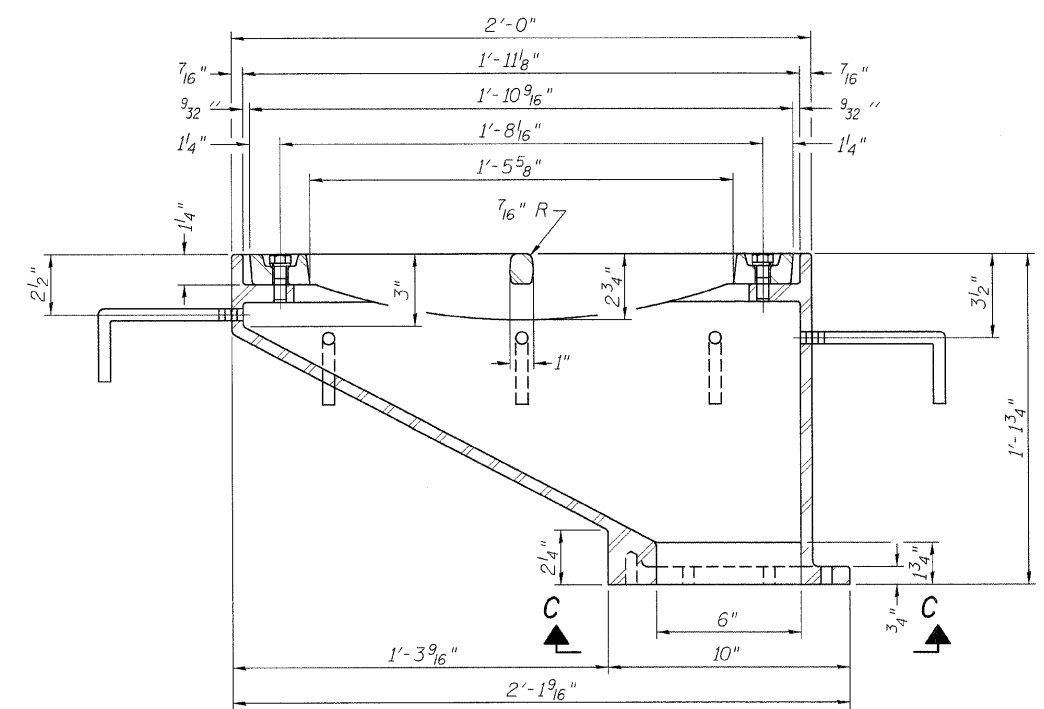
PLAN



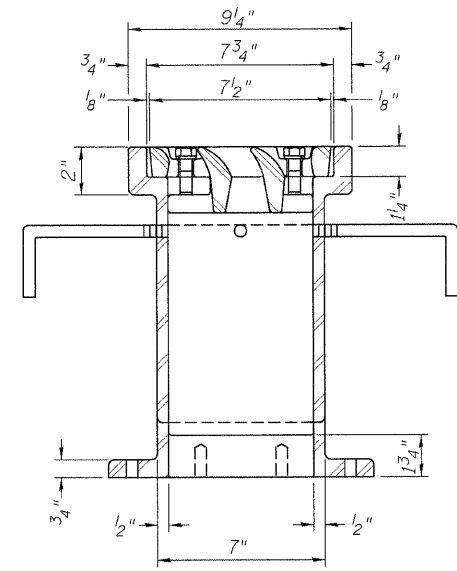
VANE GRATE DETAIL



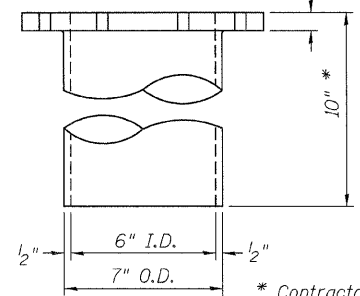
VIEW C-C



SECTION A-A

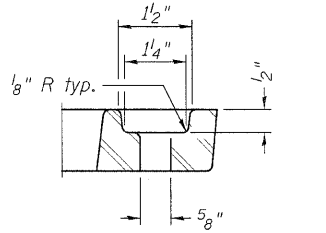


SECTION B-B

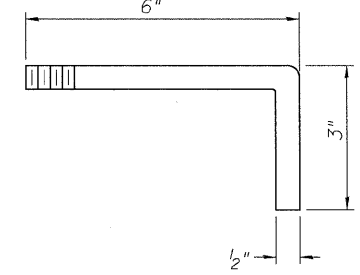


DOWNSPOUT

* Contractor to field verify dimension prior to ordering materials.



BOLT HOLE DETAIL



ANCHOR STUD DETAIL

BILL OF MATERIAL

ITEM	UNIT	QUANTITY
Drainage Scupper, DS-12	Each	6

SHT. S-010

REVISIONS	NAME	DATE

ILLINOIS DEPARTMENT OF TRANSPORTATION
 F.A.I. ROUTE 57 (INTERSTATE 57)
 111TH STREET BRIDGE DECK REPLACEMENT
 111th STREET OVER I-57
 SN 016-0989 STA. 556+99.89
 COOK COUNTY

DRAINAGE SCUPPER, DS-12

DATE: 01/16/09

DRAWN BY: TMH
 CHECKED BY: JLR

TENG
 TENG & ASSOCIATES, INC.
 ENGINEERS/ARCHITECTS/PLANNERS
 205 N. MICHIGAN AVE., CHICAGO, IL 60601
 TELEPHONE: 312.451.0000

1. USER: C:\PERS\DCN\2-27-2009\145307\p01.tbl
 2. 2-27-2009, 145307
 3. PLOT: 145307
 4. PLOT: 145307
 5. DOCUMENT: \\S06600\STRUCT\DCN\SCUPPER.DWG
 6. HOU: HTM
 7. COLOR: 1
 8. ST: ANDREA
 9. TENG: DATA\COLOR\TABLE.TBL