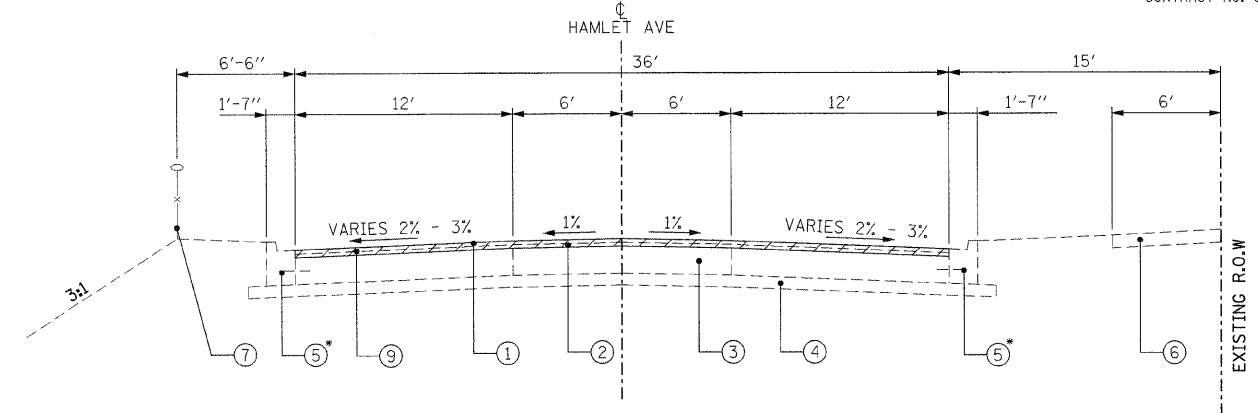


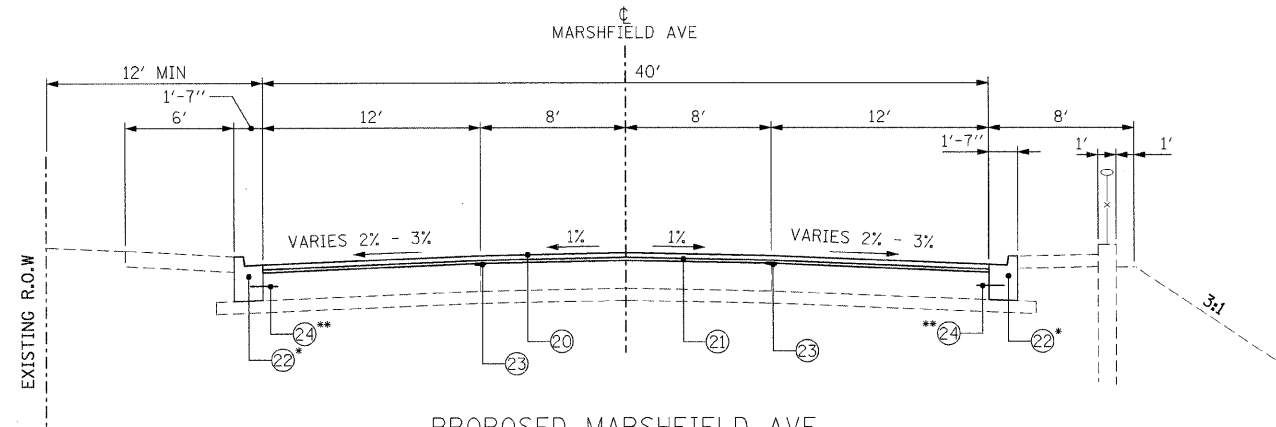
EXISTING MARSHFIELD AVE

* REMOVE AND REPLACE PER SCHEDULE



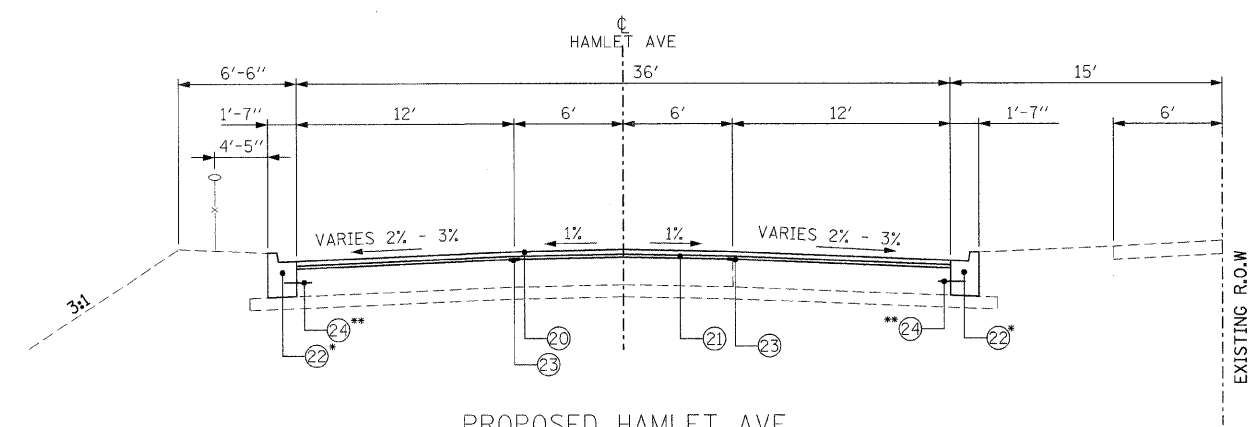
EXISTING HAMLET AVE

* REMOVE AND REPLACE PER SCHEDULE



PROPOSED MARSHFIELD AVE

* REMOVE AND REPLACE PER SCHEDULE
 ** [INCLUDED IN THE COST OF CONC CURB & GUTTER TYPE B-V.12]



PROPOSED HAMLET AVE

* REMOVE AND REPLACE PER SCHEDULE
 ** [INCLUDED IN THE COST OF CONC CURB & GUTTER TYPE B-V.12]

HOT-MIX ASPHALT MIX DESIGN CHART

PAY CODE	PAY ITEM DESCRIPTION	UNIT	AC TYPE	PERCENTAGE AIR VOIDS	MIX TYPE
40603340	HOT-MIX ASPHALT SURFACE COURSE, MIX "D", N70	TON	PG 64-22	4% @ 70 GYR	IL 9.5MM
40600635	LEVELING BINDER (MACHINE METHOD), N70	TON	PG 64-22*	4% @ 70 GYR	IL 9.5MM

*WHEN RAP EXCEEDS 20%, THE NEW ASPHALT BINDER IN THE MIX SHALL BE PG 58-22

NOTES:

1. EXISTING DIMENSIONS AND THICKNESSES SHOWN ARE FROM RECORD PLANS. ACTUAL DIMENSIONS AND THICKNESSES MAY VARY.

EXISTING LEGEND [Hatched Box] REMOVAL

- ① BIT. CON SURFACE COURSE 1 1/4"
- ② BIT. CON BINDER COURSE 1 1/4"
- ③ P.C.C. BASE COURSE 9"
- ④ STABILIZED SUB-BASE 4"
- ⑤ CONC CURB & GUTTER TYPE BV.12
- ⑥ P.C.C. SIDEWALK 5"
- ⑦ CHAIN LINK FENCE
- ⑧ RETAINING WALL
- ⑨ HOT-MIX ASPHALT SURFACE REMOVAL, VARIABLE DEPTH (1'-5")
- ⑩ CONCRETE MEDIAN (CORRUGATED & RAISED)

PROPOSED LEGEND [White Box] = INCLUDED IN THE COST OF

- ⑳ HOT-MIX ASPHALT SURFACE COURSE, MIX "D", N70 (1 1/2")
- ㉑ LEVELING BINDER (MACHINE METHOD), N70 (1")
- ㉒ CONC CURB & GUTTER TYPE B-V.12
- ㉓ STRIP REFLECTIVE CRACK CONTROL
- ㉔ NO. 6 EPOXY COATED TIE BAR, 30" LONG @ 30" CENTERS
- ㉕ PORTLAND CEMENT CONCRETE SIDEWALK, 8"
- ㉖ PORTLAND CEMENT CONCRETE BASE COURSE 9"
- ㉗ STABILIZED SUB-BASE 4"
- ㉘ NO. 8 EPOXY COATED TIE BAR, 24" LONG @ 24" CENTERS, DRILLED AND GOUTED

REVISIONS	
NAME	DATE

ILLINOIS DEPARTMENT OF TRANSPORTATION
 112TH PLACE OVER
 F.A.I. ROUTE 57 (INTERSTATE 57)
**TYPICAL SECTIONS
 FRONTAGE ROADS AND
 BIT. CONC MIXTURE SCHEDULE**
 SCALE: N.T.S. DRAWN BY: BRH
 DATE: 01/16/09 CHECKED BY: ACL
TENG
TENG & ASSOCIATES, INC.
 ENGINEERS/ARCHITECTS/PLANNERS
 205 N. MICHIGAN AVE., CHICAGO, IL 60601
 TELEPHONE: 312/456-0000

..\NTSC0002.DGN, ..\TTB000WA.DGN, ..\TSC005WA.DGN, ..\TSC00P-K.DGN
 I-16-2009, 13:55:58
 I 2 3 4 5 6 7 8 9 10 11 12 13 14 15 16 17 18 19 20 21 22 23 24 25 26 27 28 29 30 31 32 33 34 35 36 37 38 39 40 41 42 43 44 45 46 47 48 49 50 51 52 53 54 55 56 57 58 59 60 61 62 63