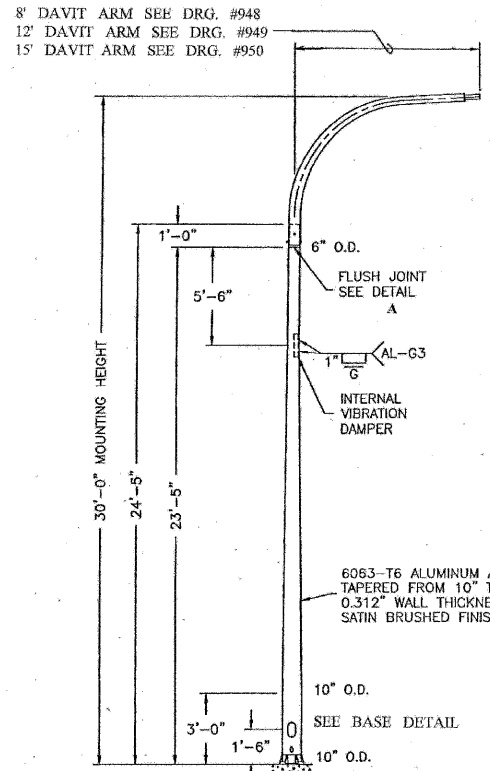
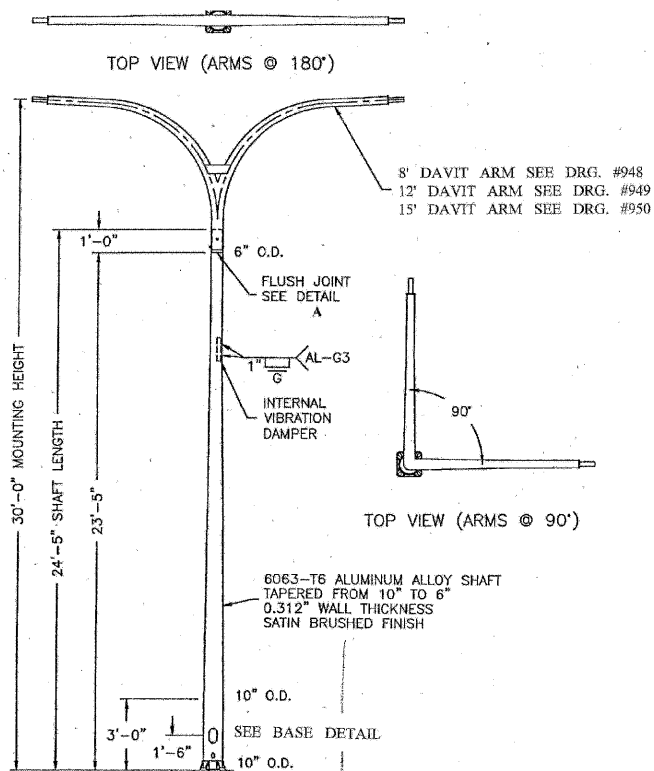


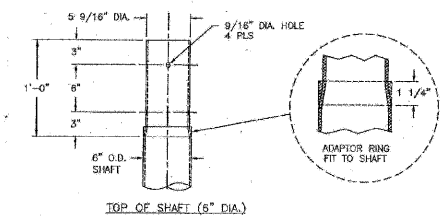
F.A.I. RTE.	SECTION	COUNTY	TOTAL SHEETS	SHEET NO.
57	1920.IB-R	COOK	101	055
STA.		TO STA.		
FED. ROAD DIST. NO. 1		ILLINOIS	FED. AID PROJECT	
CONTRACT NO. 62533				



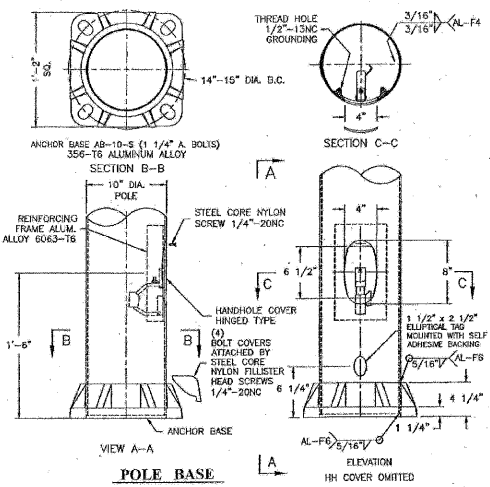
POLE WITH SINGLE DAVIT ARM



POLE WITH TWIN DAVIT ARMS

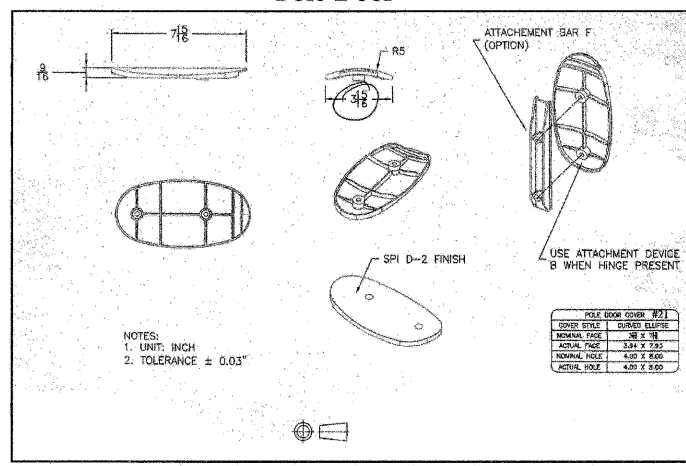


DETAIL A



POLE BASE

Pole Door



ALUMINUM DAVIT POLE
10" x 6" x 24'-5"
FOR ARTERIAL STREETS

CITY OF CHICAGO
DEPT. OF STREETS AND SANITATION
BUREAU OF ELECTRICITY
DIVISION OF ELECTRICAL ENGINEERING

DRAFTSMAN:	CHIEF DRAFTSMAN:	ENGINEER:
SUPERVISING ENGINEER:	ELTC. DESIGN ENGINEER:	DWG. NO.:
ENGINEER OF ELECTRICITY:		941
DEPUTY SUPERVISING ENGINEER:		DATE: 1-29-02
SIZE:	SCALE:	

HECHTUB
 1-16-2009 13:35:50
 I:\2-3-5-6-7-8-9-0-11-12-13-14-15-16-17-18-19-20-21-22-23-24-25-26-27-28-29-30-31-32-33-34-35-36-37-38-39-40-41-42-43-44-45-46-47-48-49-50-51-52-53-54-55-56-57-58-59-60-61-62-63
 *:\DOCUMENTS\930360\CIVIL\DRG\EXHIBIT\DWG.DGN
 *:\NORTH ST 301BER.DGN

REVISIONS	
NAME	DATE

ILLINOIS DEPARTMENT OF TRANSPORTATION
112TH PLACE OVER
F.A.I ROUTE 57 (INTERSTATE 57)

ELECTRICAL STANDARD DETAILS

SCALE: DRAWN BY: N/A
DATE: 01/16/09 CHECKED BY: N/A

TENG
TENG & ASSOCIATES, INC.
ENGINEERS-ARCHITECTS-PLANNERS
295 N. MICHIGAN AVE. CHICAGO, IL 60601
TELEPHONE: 312/615-0000