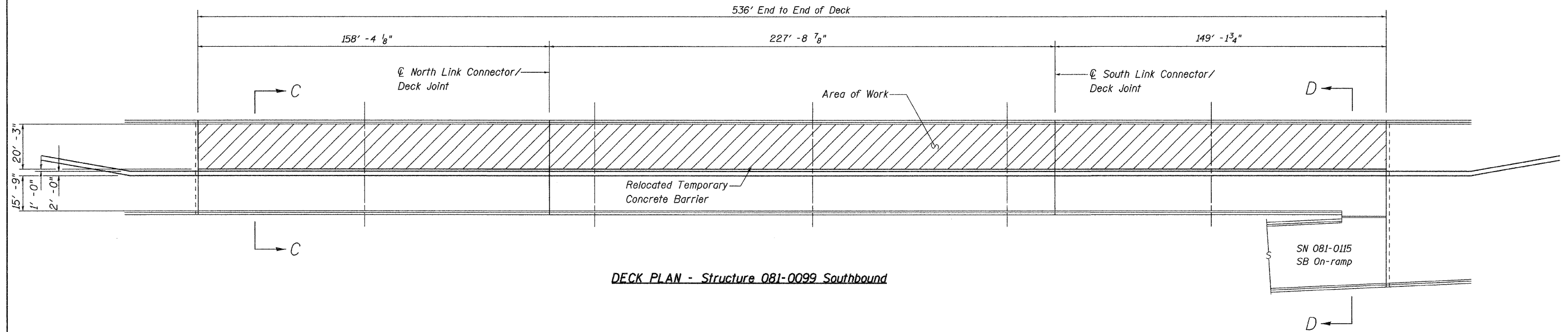


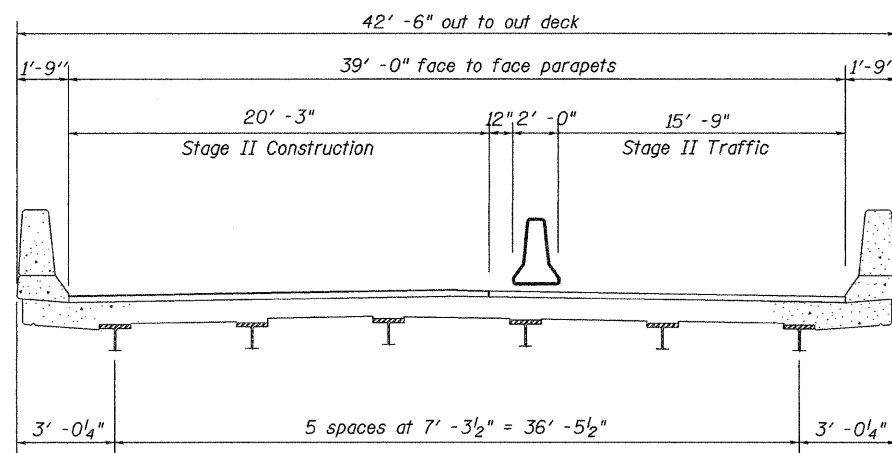


STAGING PLAN

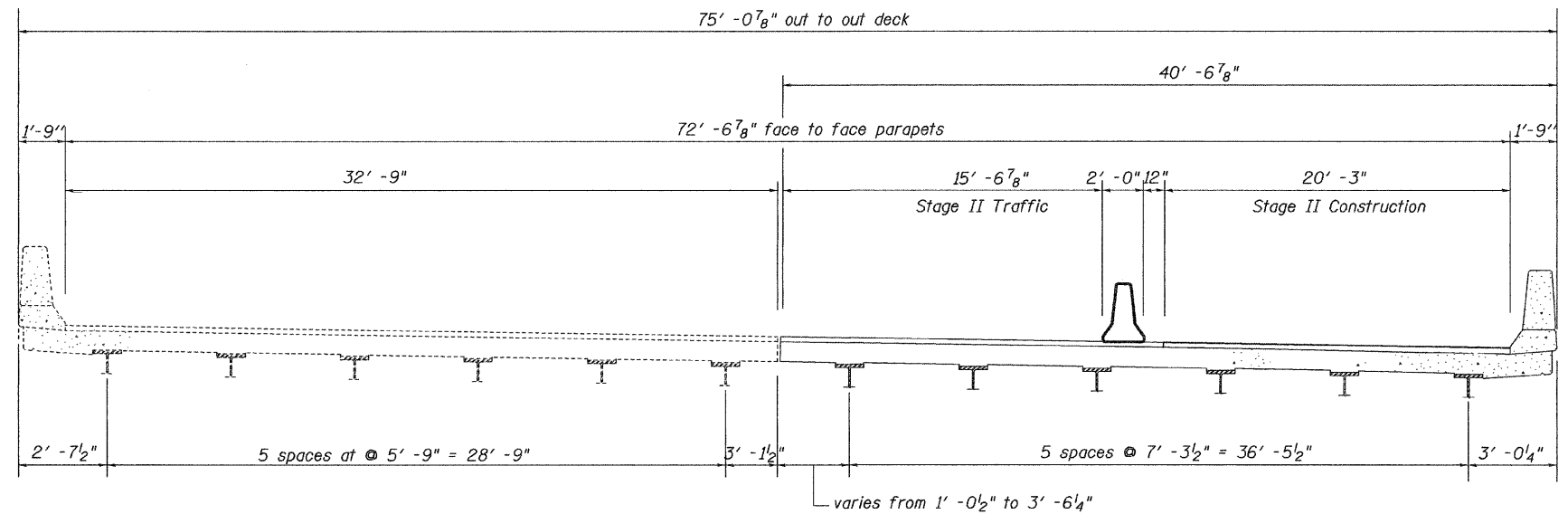
STAGE II CONSTRUCTION
Structure 081-0099 Southbound



DECK PLAN - Structure 081-0099 Southbound



CROSS SECTION C-C Structure 081-0099 Southbound
(Normal Section - Looking South)



CROSS SECTION D-D Structure 081-0099 Southbound
(At South Abutment - Looking North)

STAGE II CONSTRUCTION

- Relocate Temporary Concrete Barrier.
- Move Traffic to Stage II Traffic.
- Remove concrete wearing surface.
- Replace bridge joints & repair deck.
- Install new wearing surface & waterproofing membrane.
- Remove temporary concrete barrier.

Structure 081-0115
(Not part of this contract)

STAGING PLAN
I-74 OVER 19th STREET
FAI 74 (I-74)
SECTION 81-(1-2,1,2-2)RS-1 & M
ROCK ISLAND COUNTY
STRUCTURE NUMBER 081-0099 (SB)

Sheet 4 of 18

FILE NAME = #FILE#	USER NAME = #USER#	DESIGNED - -	REVISED - -	STATE OF ILLINOIS DEPARTMENT OF TRANSPORTATION	STAGING PLAN			F.A.I. RTE. 74	SECTION 81-(1-2,1,2-2)RS-1 & M	COUNTY ROCK ISLAND	TOTAL SHEETS 246	SHEET NO. 131	
	PLOT SCALE = #SCALE#	DRAWN - -	REVISED - -		SCALE: _____	SHEET NO. ____ OF ____ SHEETS	STA. _____ TO STA. _____	CONTRACT NO. 64A97		FED. ROAD DIST. NO. - [ILLINOIS] FED. AID PROJECT			
	PLOT DATE = #DATE#	CHECKED - -	REVISED - -										
		DATE - -	REVISED - -										