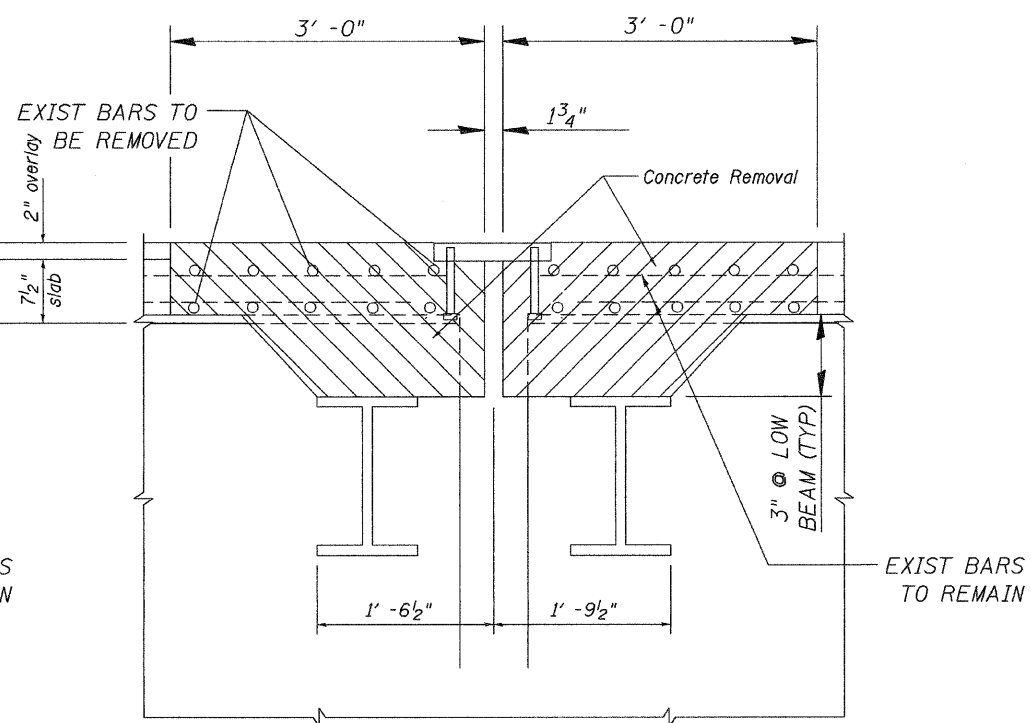
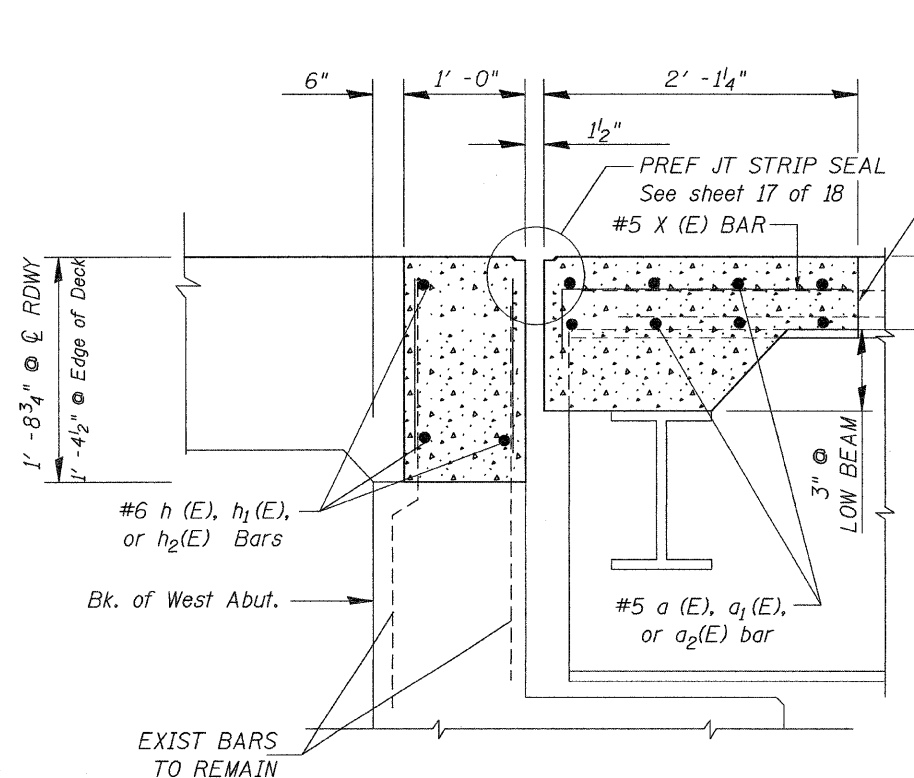


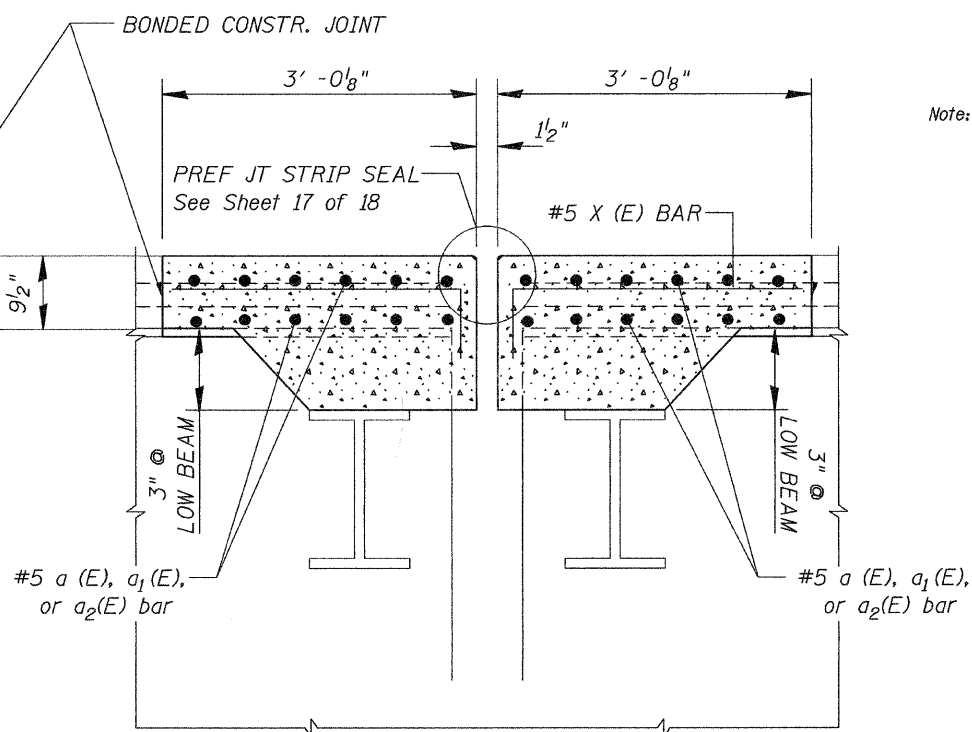
EXIST SECTION THRU ABUTMENTS



EXIST SECTION THRU DECK JOINTS
(Looking East)



PROP SECTION THRU ABUTMENTS



PROP SECTION THRU DECK JOINTS

Note: Dimensions are based on a Rolled Rail Strip Seal Joint. If the contractor elects to use the Welded Rail Strip Seal Joint, deck dimensions may require adjustments to satisfy the details on Base Sheet EJ-SSJ.

See sheet 9 of 18 for bar details.

JOINT DETAILS
I-74 OVER 19th STREET
FAI 74 (I-74)
SECTION 81-(1-2,1,2-2)RS-1 & M
ROCK ISLAND COUNTY
STRUCTURE NUMBER 081-0099 (SB)

Sheet 8 of 18

FILE NAME = #FILEL#	USER NAME = #USER#	DESIGNED - -	REVISED - -	STATE OF ILLINOIS DEPARTMENT OF TRANSPORTATION	JOINT DETAILS	F.A.I. RTE.	SECTION	COUNTY	TOTAL SHEETS	SHEET NO.	
		DRAWN - -	REVISED - -			74	81-(1-2,1,2-2)RS-1 & M	ROCK ISLAND	246	137	
		CHECKED - -	REVISED - -			CONTRACT NO. 64A97		FED. ROAD DIST. NO. - ILLINOIS FED. AID PROJECT			
		DATE - -	REVISED - -								