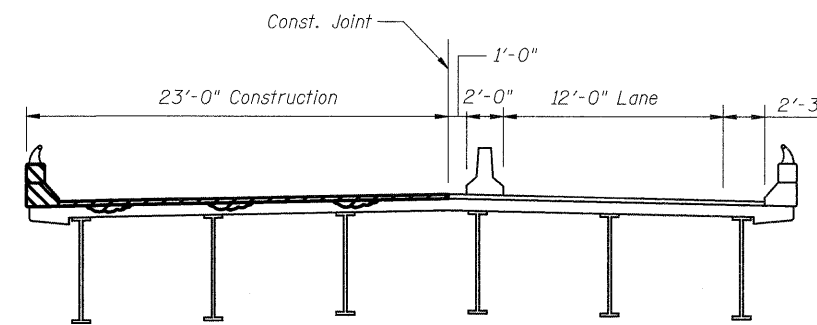
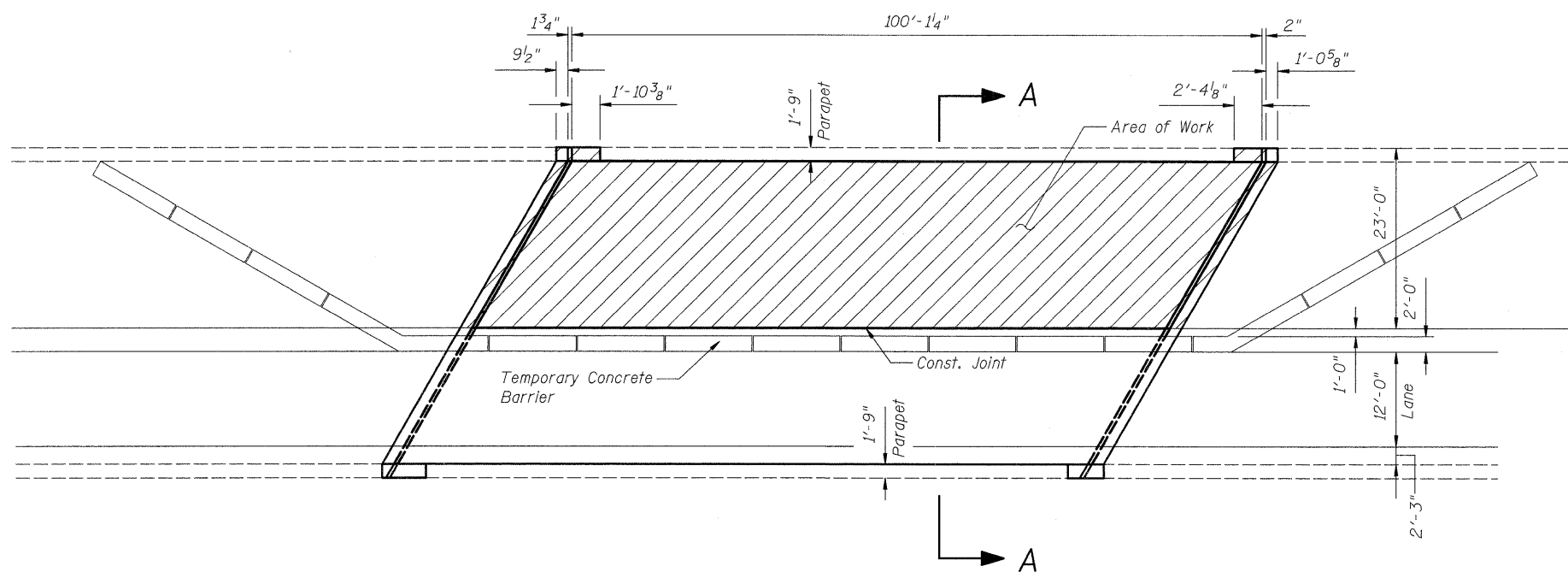


STATE OF ILLINOIS
DEPARTMENT OF TRANSPORTATION

ROUTE NO.	SECTION	COUNTY	TOTAL SHEETS	SHEET NO.	SHEET NO. 2 10 SHEETS
FAI 74	*	ROCK ISLAND	246	159	
FED. ROAD DIST. NO. 7	ILLINOIS	FED. AID PROJECT-			

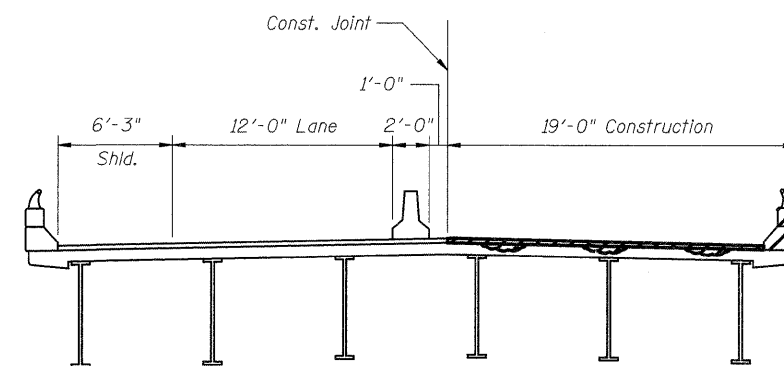
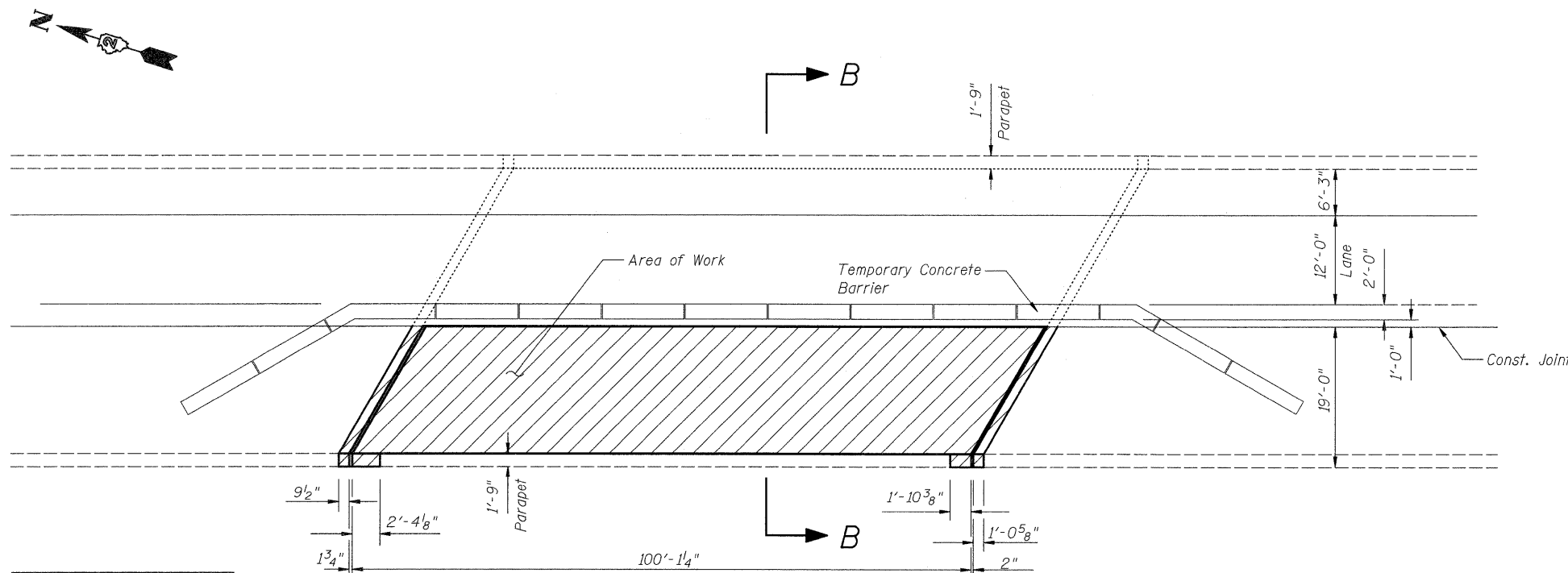
* 81 (1-2, 1, 2-2) RS-1 & M



SECTION A-A

STAGE I CONSTRUCTION

- Install temporary concrete barrier as shown. *
- Move traffic to Stage I traffic lane.
- Sawcut concrete wearing surface and remove.
- Replace Bridge Joints and repair deck.
- Install new wearing surface & waterproofing membrane.
- * For temporary concrete barrier details, see sheet 9 of 10.



SECTION B-B

STAGE II CONSTRUCTION

- Relocate temporary concrete barrier as shown. *
- Move traffic to Stage II traffic lane.
- Remove concrete wearing surface.
- Replace bridge joints and repair deck.
- Install new wearing surface & waterproofing membrane.
- Remove temporary concrete barrier.

DESIGNED	DFM
CHECKED	DSG
DRAWN	EBS
CHECKED	DFM

STAGING PLAN
F.A.I. 74 (OVER 12TH AVE.)
ROCK ISLAND COUNTY
STRUCTURE NO. 081-0102