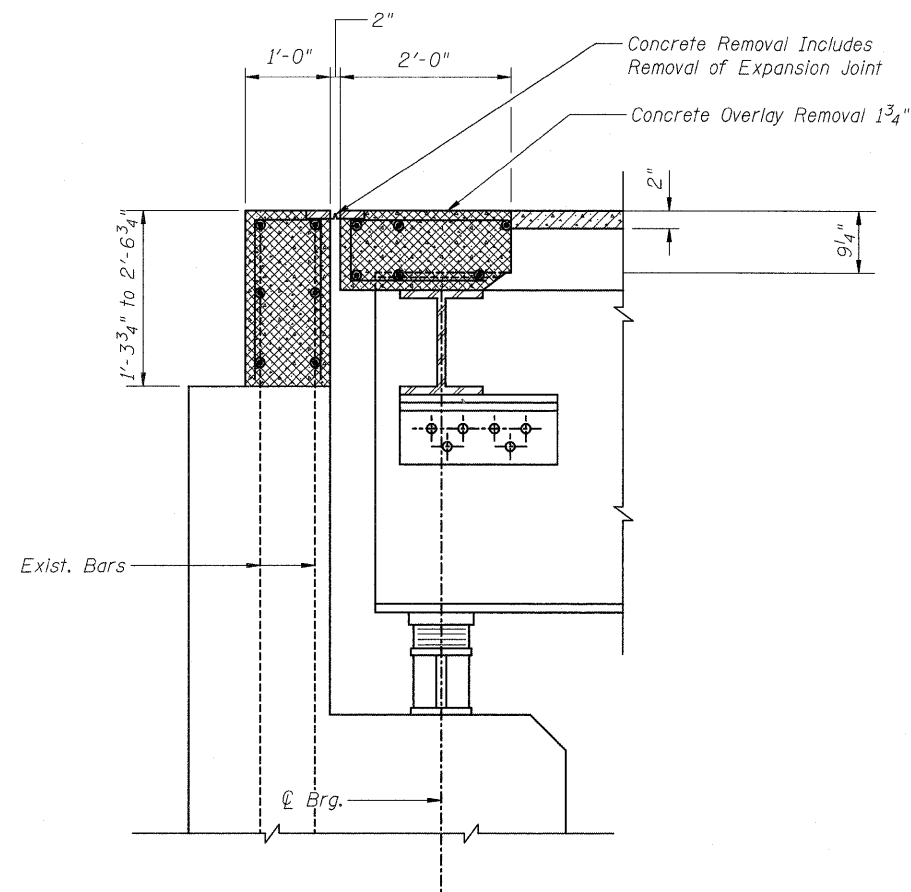


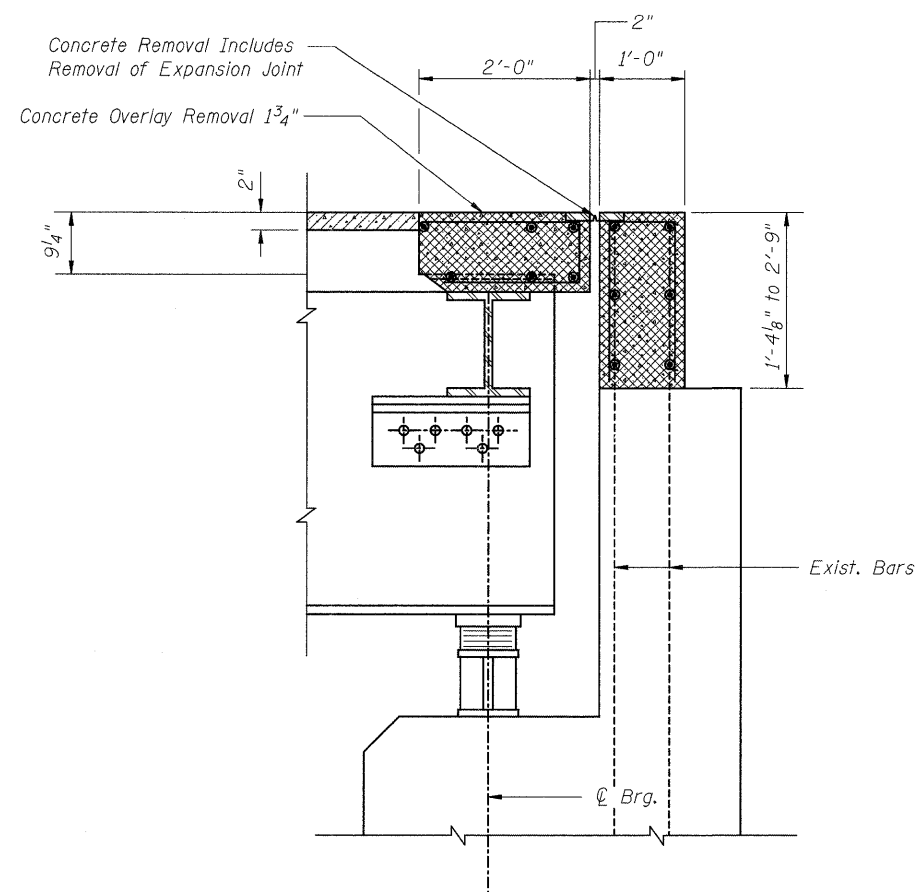
STATE OF ILLINOIS  
DEPARTMENT OF TRANSPORTATION

ROUTE NO.	SECTION	COUNTY	TOTAL SHEETS	SHEET NO.	SHEET NO.
FAI 74	*	ROCK ISLAND	246	172	10 SHEETS
FED. ROAD DIST. NO. 7	ILLINOIS	FED. AID PROJECT-			

\* 81 (1-2, 1, 2-2) RS-1 & M





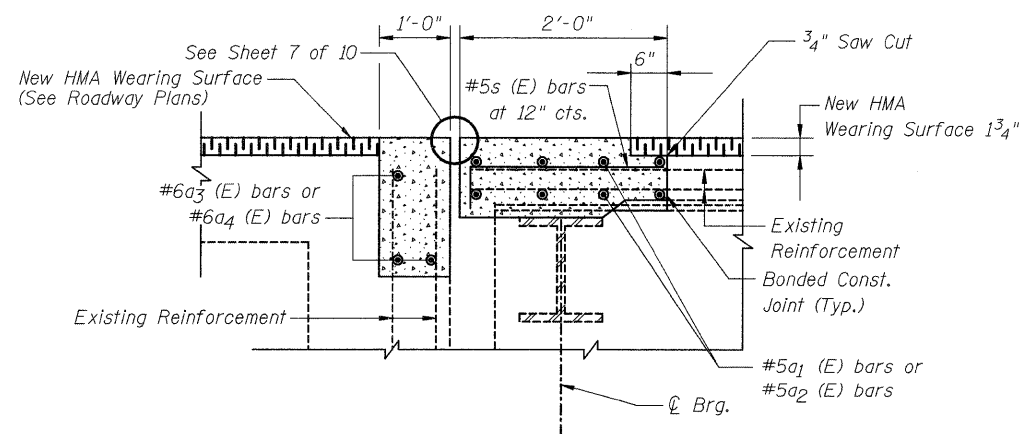
EXISTING SECTION C-C THRU NORTH ABUTMENT



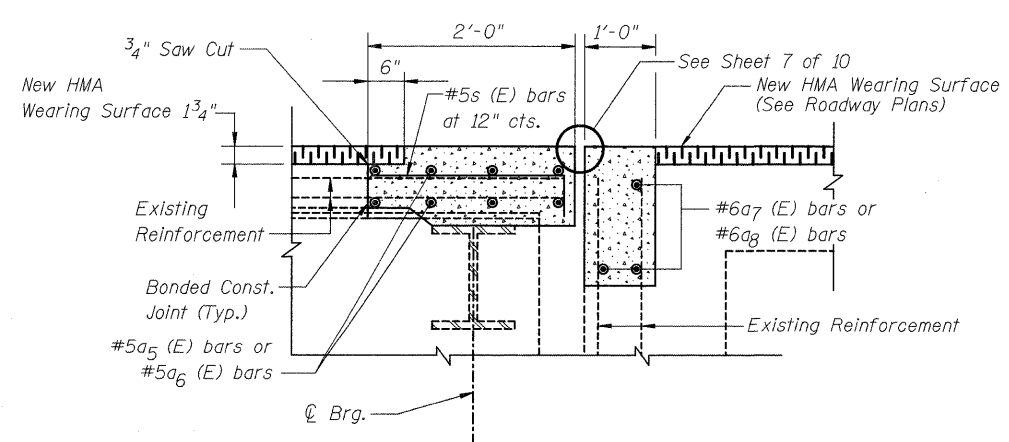
EXISTING SECTION D-D THRU SOUTH ABUTMENT

LEGEND

-  Concrete Removal
-  Bridge Deck Scarification



PROPOSED SECTION C-C THRU NORTH ABUTMENT



PROPOSED SECTION D-D THRU SOUTH ABUTMENT

DESIGNED	DFM
CHECKED	DFM
DRAWN	EBS
CHECKED	DFM

JOINT RECONSTRUCTION DETAILS  
F.A.I. 74 (OVER 19TH ST.)  
ROCK ISLAND COUNTY  
STRUCTURE NO. 081-0103