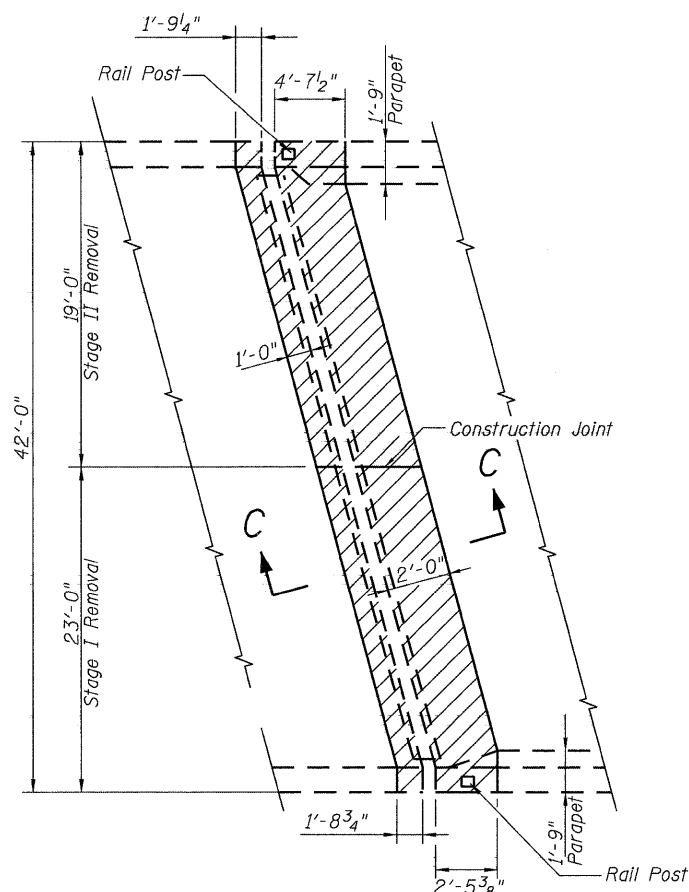
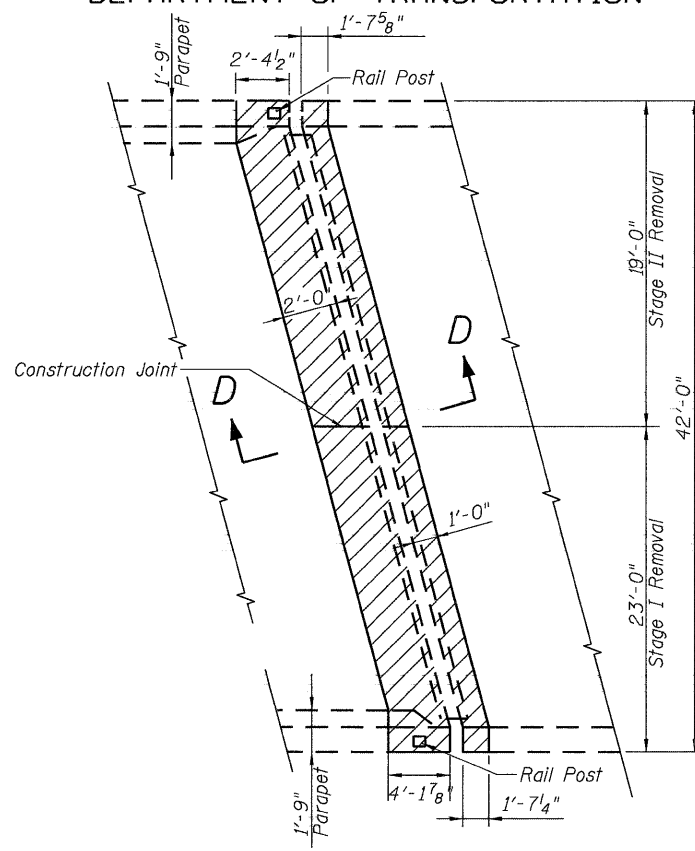


STATE OF ILLINOIS
DEPARTMENT OF TRANSPORTATION

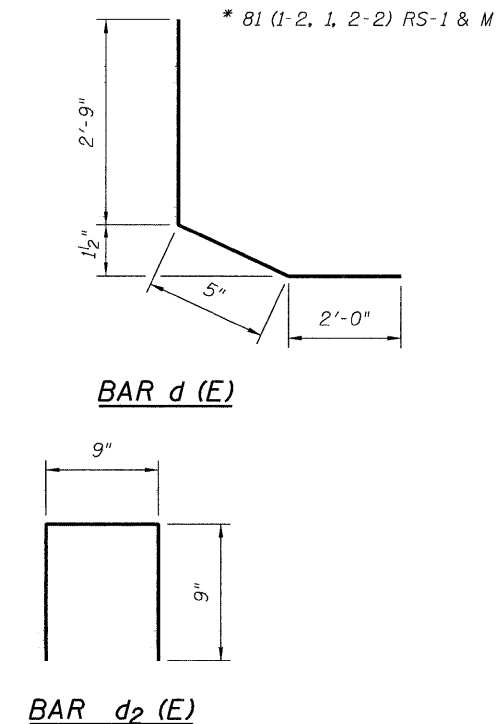
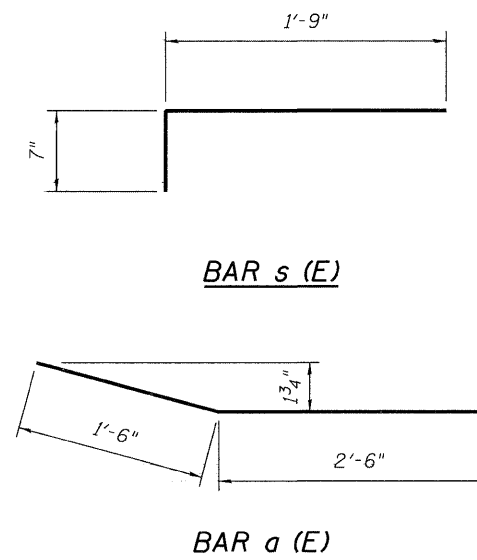
ROUTE NO.	SECTION	COUNTY	TOTAL SHEETS	SHEET NO.	SHEET NO. 4 10 SHEETS
FAI 74	*	ROCK ISLAND	246	181	
FED. ROAD DIST. NO. 7	ILLINOIS	FED. AID PROJECT-			



EXISTING PARTIAL PLAN - NORTH ABUTMENT



EXISTING PARTIAL PLAN - SOUTH ABUTMENT



BILL OF MATERIAL

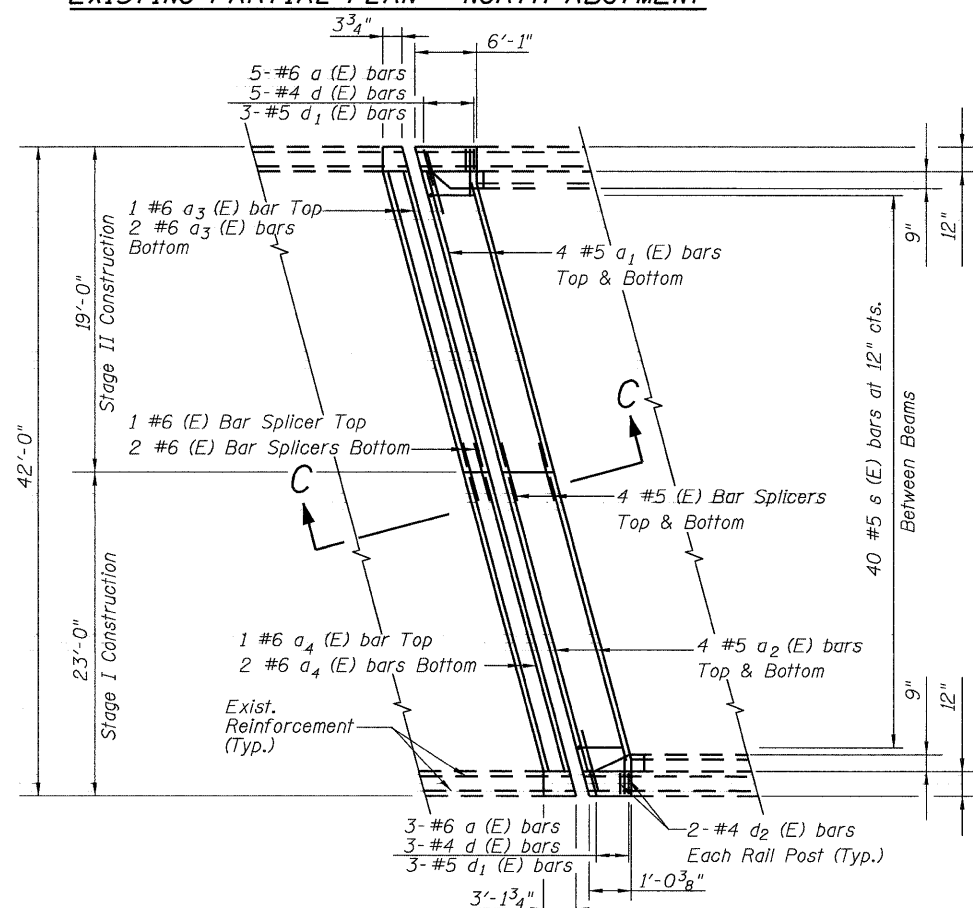
BAR	NO.	SIZE	LENGTH	SHAPE
a (E)	4	#6	4'-0"	
a ₁ (E)	8	#5	31'-5"	
a ₂ (E)	8	#5	37'-5"	
a ₃ (E)	3	#6	31'-5"	
a ₄ (E)	3	#6	37'-5"	
a ₅ (E)	8	#5	29'-0"	
a ₆ (E)	8	#5	34'-8"	
a ₇ (E)	3	#6	29'-0"	
a ₈ (E)	3	#6	34'-8"	
d (E)	16	#4	4'-0"	┌
d ₁ (E)	16	#5	2'-9"	┌
d ₂ (E)	8	#4	2'-3"	┌
s (E)	80	#5	2'-4"	┌
Reinforcement Bars Epoxy Coated			Pound	2100
Concrete Removal			Cu. Yd.	21.8
Concrete Superstructure			Cu. Yd.	21.8
Bar Splicer			Each	22

For bar splicer assembly details see sheet 8 of 10.
For Rail Post Details see sheet 10 of 10.
For sections C-C and D-D see sheet 5 of 10.

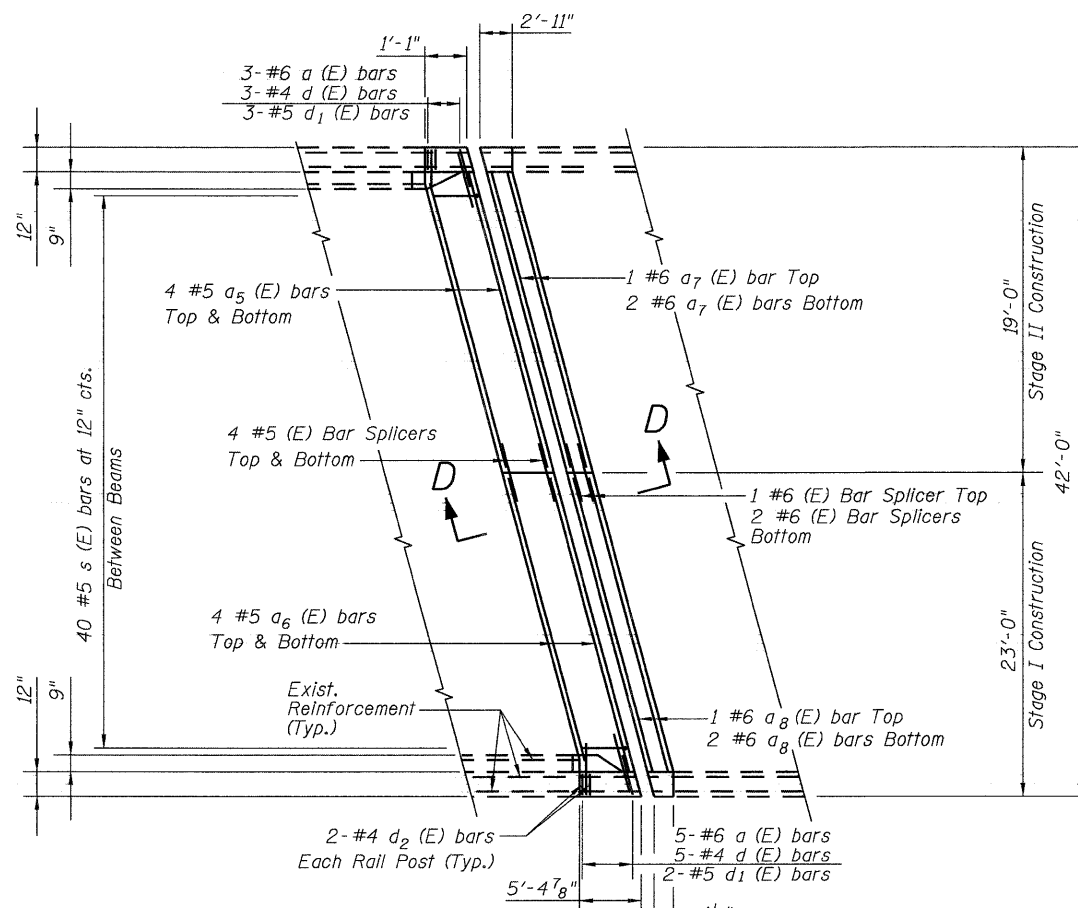
LEGEND

- Concrete Removal
- Concrete Superstructure

JOINT RECONSTRUCTION DETAILS
F.A.I. 74 (OVER 19TH ST.)
ROCK ISLAND COUNTY
STRUCTURE NO. 081-0104



PROPOSED PARTIAL PLAN - NORTH ABUTMENT



PROPOSED PARTIAL PLAN - SOUTH ABUTMENT

DESIGNED	DFM
CHECKED	DSG
DRAWN	EBS
CHECKED	DFM