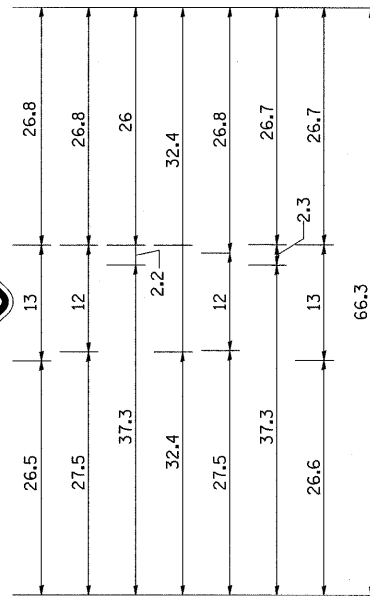
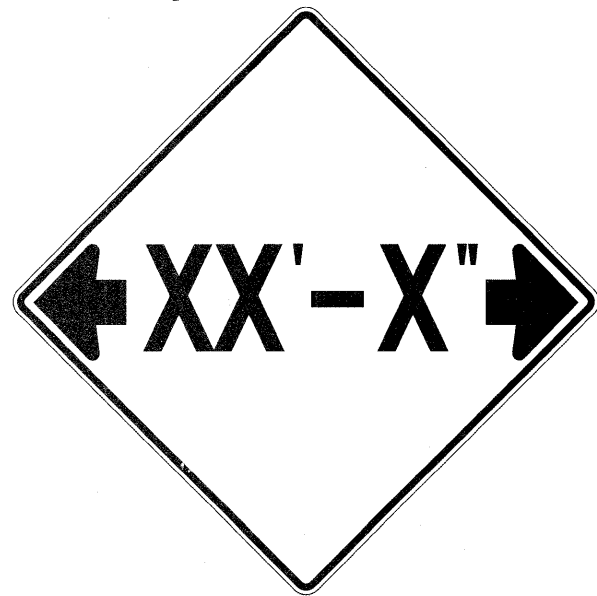
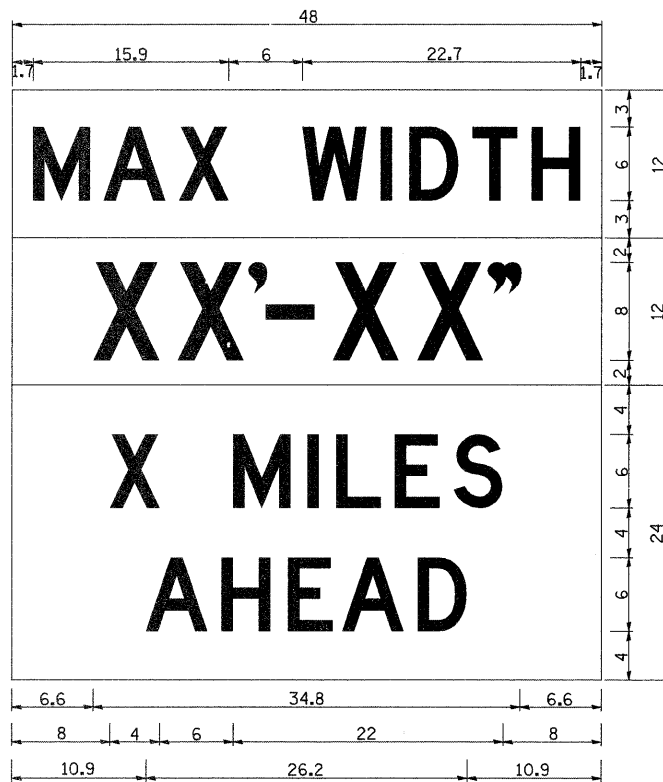
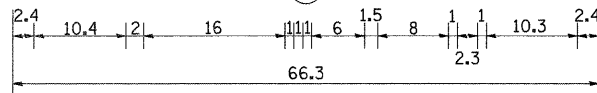


# INFORMATIONAL WARNING SIGN (FOR NARROW TRAVEL LANES)



**NOTES**  
 W12-2 - Horizontal Clearance Sign  
 48.0" across sides, 1.9" Radius,  
 0.8" Border, 0.5" Indent, Black on  
 Orange; Standard Arrow Custom  
 10.4" X 8.1" 180° Black 11 Inch  
 D Series Lettering; Standard Arrow  
 Custom 10.4" X 8.1" 0°



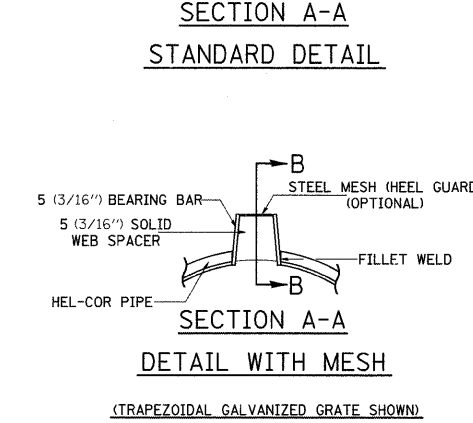
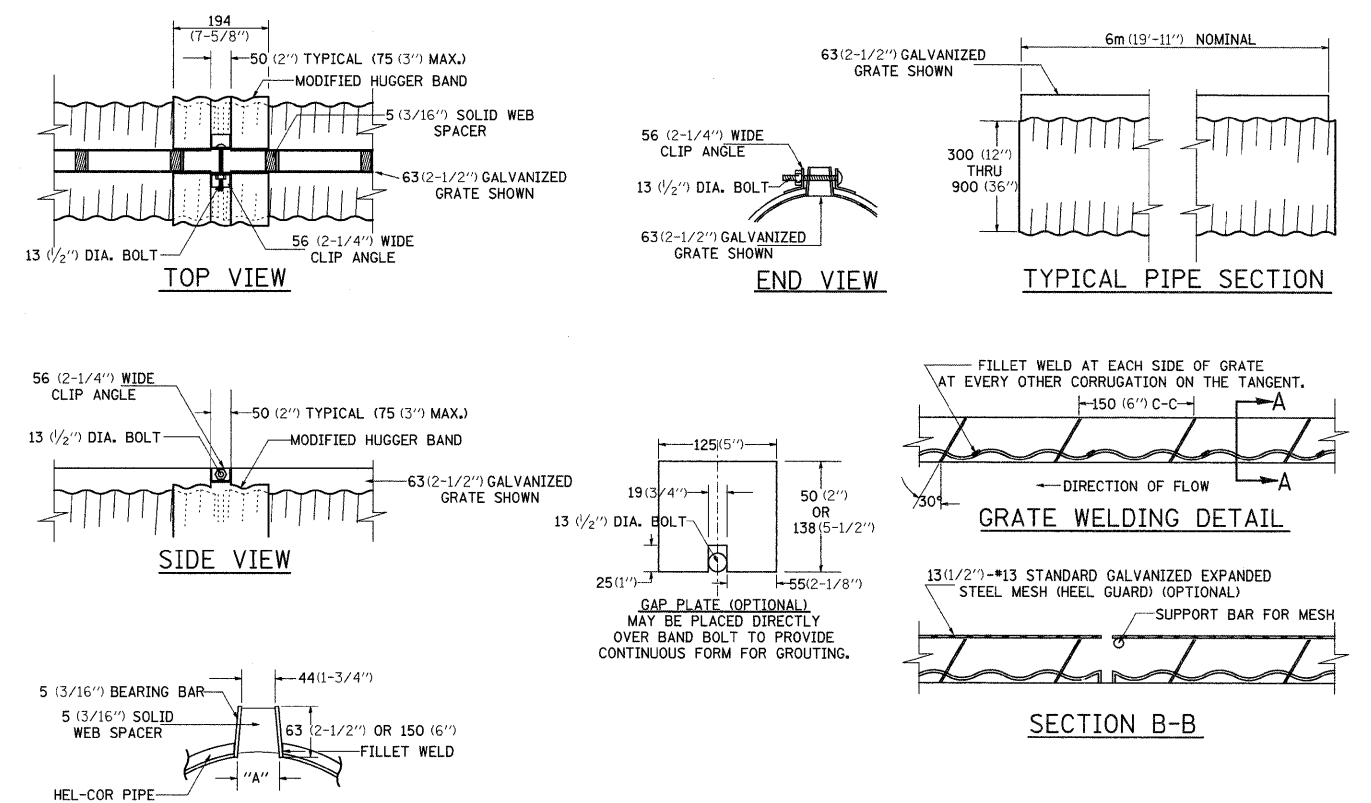
W12-I103 (Width is 8D);  
 No border, Black on White;  
 [MAX WIDTH] D;  
 No border, Black on Orange;  
 [XX'-XX''] D;  
 No border, Black on White;  
 [X MILES] D; [AHEAD] D;

All work to furnish and install these signs shall be included in the cost of the Traffic Control Standards and shall not be paid for separately.

ALL DIMENSIONS ARE IN INCHES UNLESS OTHERWISE NOTED.

REVISED - 1-9-08

# SLOTTED DRAIN PIPE



STANDARD SIZES		GRATE TYPE		"A"	
GAGE OF PIPE	DIAMETER OF PIPE	VERT	TRAP	VERT	TRAP
16	300 (12")	X	X	44 (1-3/4")	X
14	375 (15")	X	X	44 (1-3/4")	X
12	450 (18")	X	X	56 (2-1/4")	X
	600 (24")	X	X	75 (3")	X
	750 (30")	X	X		
	900 (36")	X	X		
	N.A.	N.A.	N.A.	N.A.	N.A.

- SLOTTED DRAIN NOTES**
- GRATING IS AVAILABLE IN DEPTHS OF 63 (2-1/2") AND 150 (6").
  - VERTICAL GRATING (STRAIGHT SIDES) WITH VERTICAL SPACERS IS ALSO AVAILABLE.
  - FOR 150 (6") VERTICAL & TRAPZOIDAL REQUIREMENTS, THE SLOTTED DRAIN BAND MAY BE FURNISHED WITH THE 100 (4") TECHCO BAND ANGLE.
  - DIMENSIONS ARE SUBJECT TO MANUFACTURING TOLERANCES.
  - REFERENCE CONTECH BAND MANUAL DWG. NO. 1008466 FOR BAND DETAILS.
- MANUFACTURING TOLERANCES**
- VERTICAL BOW ± 10 (3/8")
  - HORIZONTAL BOW ± 16 (5/8")
  - TWIST ± 13 (1/2")

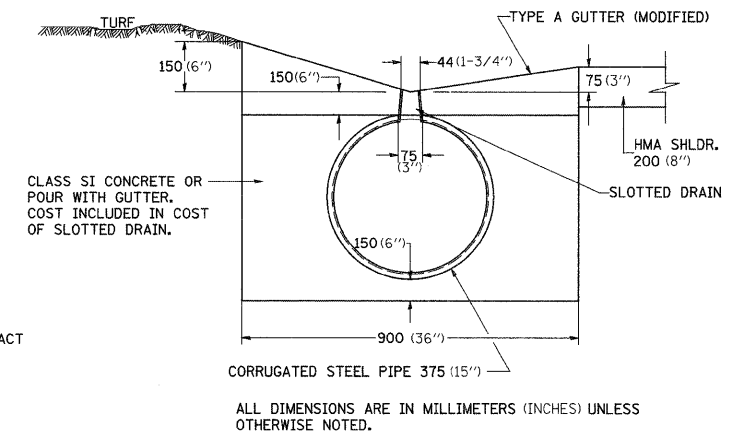
**NOTES**

CLASS SI CONCRETE SHALL BE USED THROUGHOUT.

THE SLOTTED DRAIN SHALL BE CORRUGATED PIPE CULVERT WITH INTEGRAL SLOTTED DRAINS. BEFORE PLACING THE CONCRETE ADJACENT TO THE PIPE, THE SLOT SHALL BE COVERED BY EITHER THIN, FLAT METAL SHEETING OR BY A BOARD NOTCHED TO FIT OVER THE GRATE BARS. THIS COVERING MUST FIT CLOSELY IN THE SLOT TO PREVENT ENTRY OF CONCRETE INTO THE PIPE. PAVING OVER THE SLOTTED DRAIN WILL THEN BE ONE CONTINUOUS OPERATION OVER THE PROTECTED DRAIN. THE PROTECTION FOR THE DRAIN SLOT SHALL THEN BE REMOVED. THE PIPE SHALL DRAIN INTO THE SIDE OF THE INLET. THE OPENING WHERE THE SLOT IS REMOVED SHALL BE COVERED TO PREVENT CONCRETE FROM ENTERING THE PIPE.

THE CORRUGATED STEEL PIPE USED IN THE SLOTTED DRAIN SHALL MEET THE REQUIREMENTS OF AASHTO M-36/ASTM A 760. THE CMP SHALL BE GALVANIZED OR ALUMINIZED STEEL TYPE 2. STEEL GRATING SHALL MEET THE GALVANIZING REQUIREMENTS OF AASHTO M-111. THIS WORK WILL BE PAID FOR AT THE CONTRACT UNIT PRICE PER FOOT FOR SLOTTED DRAIN PIPE, AND SHALL INCLUDE ELBOWS.

USE APPROVED END CAP TO PREVENT CONCRETE ENTRY INTO THE PIPE DURING GUTTER CONSTRUCTION ON THE UPSTREAM END OF PIPE.



REVISED - 1-9-08	REGION 2 / DISTRICT 2 STANDARD				F.A.I. RTE.	SECTION	COUNTY	TOTAL SHEETS	SHEET NO.
REVISED -					74	81-(1-2,1,2-2)RS-1&M	ROCK ISLAND	246	235
REVISED -					CONTRACT NO. 64A97				
REVISED -	SCALE: 50.0000' / IN SHEET NO. OF SHEETS STA. TO STA.				FED. ROAD DIST. NO. ILLINOIS FED. AID PROJECT				