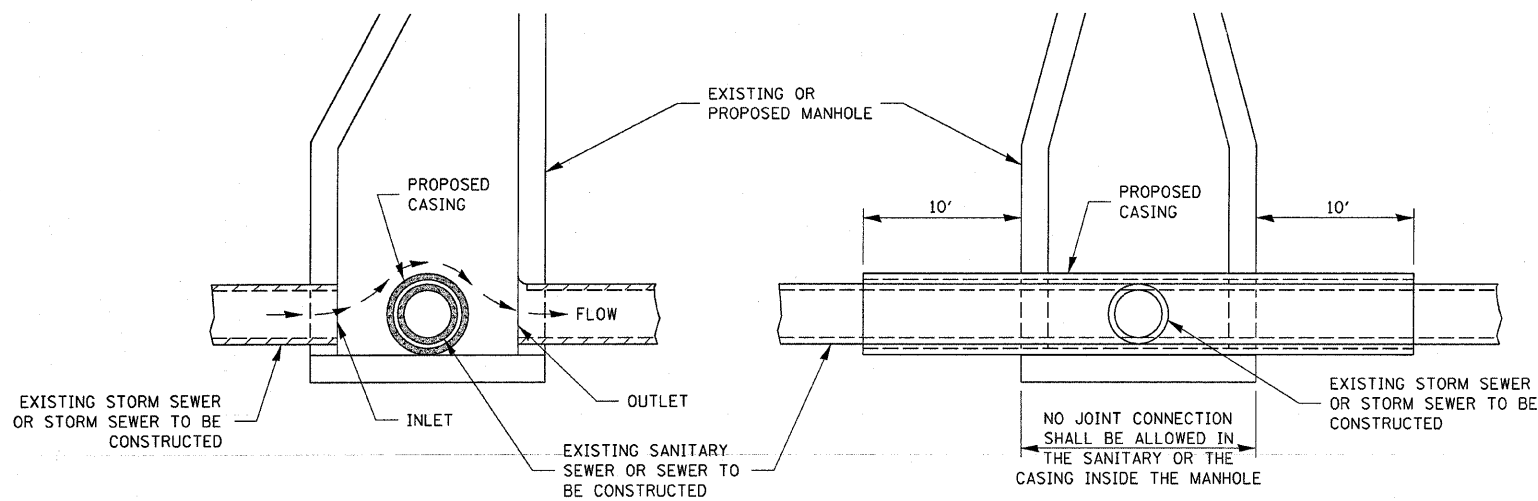


F.A.P. RTE.	SECTION	COUNTY	TOTAL SHEETS	SHEET NO.
681	(115)RS-1	LIVINGSTON	279	130
STA.		TO STA.		
FED. ROAD DIST. NO.		ILLINOIS FED. AID PROJECT		

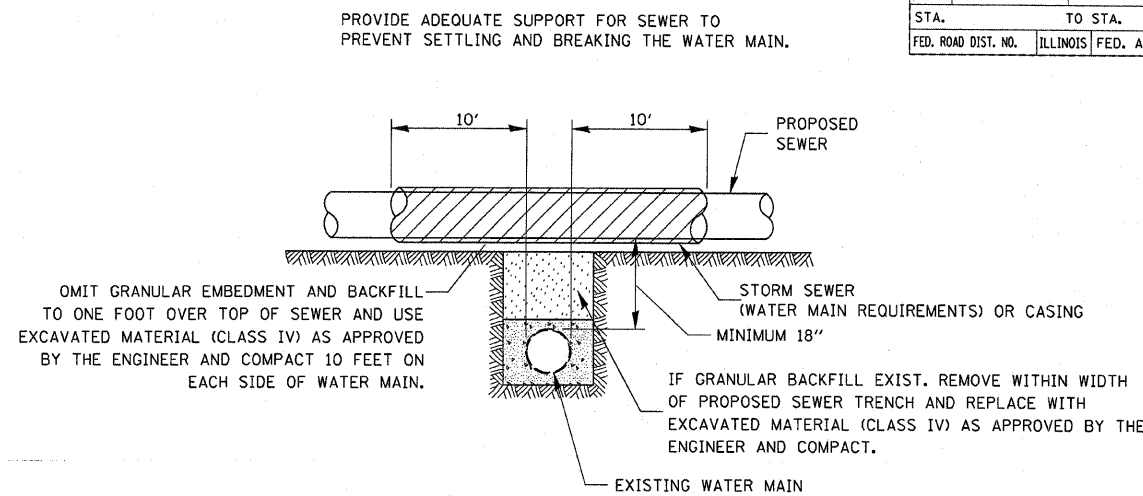


ELEVATION - ECCENTRIC

ELEVATION - CONCENTRIC

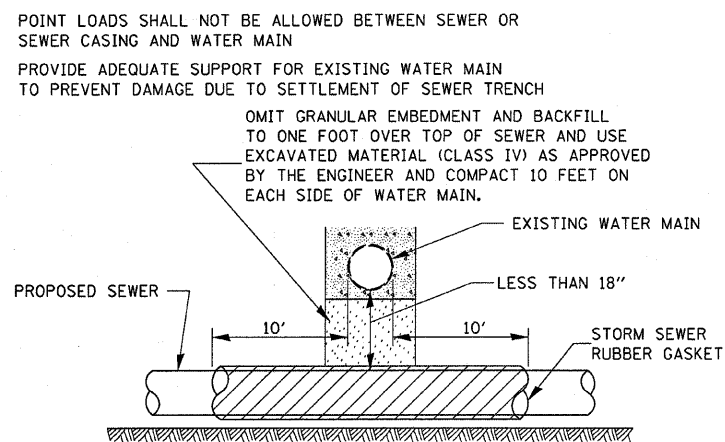
**AT GRADE CROSSING OF
SANITARY AND STORM SEWER**

CASING SHALL BE CAST IRON WITH AN INSIDE DIAMETER 2" LARGER IN DIAMETER THAN ENCASED PIPE OUTSIDE DIAMETER WITH BOTH ENDS OF CASING SEALED



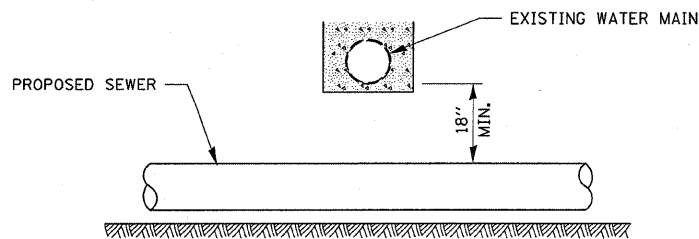
CASING SHALL BE OF WATERMAIN MATERIAL WITH AN INSIDE DIAMETER 2" LARGER IN DIAMETER THAN ENCASED PIPE OUTSIDE DIAMETER WITH BOTH ENDS OF CASING SEALED

**PROPOSED SEWER LINE WITH MINIMUM
18" VERTICAL SEPARATION ABOVE
EXISTING WATERMAIN**



PROVIDE ADEQUATE SUPPORT FOR EXISTING WATER MAIN TO PREVENT DAMAGE DUE TO SETTLEMENT OF SEWER TRENCH

MAINTAIN 18" MINIMUM VERTICAL SEPARATION FOR 10' HORIZONTALLY

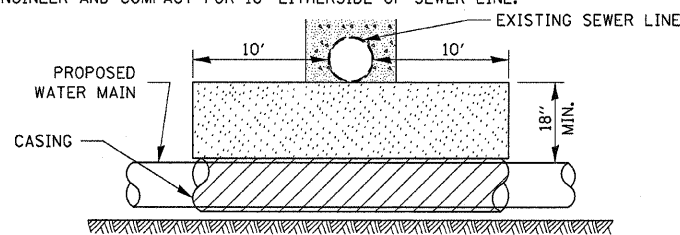


**PROPOSED SEWER LINE
BELOW EXISTING WATER MAIN**

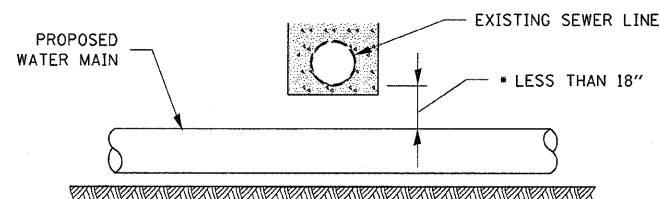
PROVIDE ADEQUATE SUPPORT FOR EXISTING SEWER LINE TO PREVENT DAMAGE DUE TO SETTLEMENT.

IF GRANULAR BACK FILL EXISTS, REMOVE WITHIN WIDTH OF EXISTING SEWER TRENCH AND REPLACE WITH EXCAVATED MATERIAL (CLASS IV) AS APPROVED BY THE ENGINEER AND COMPACT.

OMIT GRANULAR EMBEDMENT AND BACKFILL TO ONE FOOT OVER TOP OF WATER MAIN AND USE EXCAVATED MATERIAL (CLASS IV) AS APPROVED BY THE ENGINEER AND COMPACT FOR 10' EITHERSIDE OF SEWER LINE.



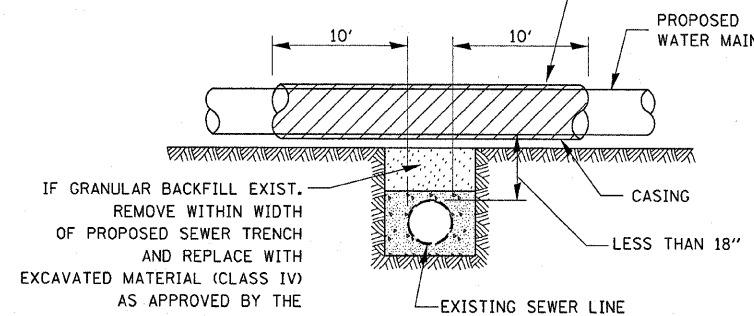
CASING SHALL BE OF WATER MAIN MATERIAL WITH AN INSIDE DIAMETER 2" LARGER IN DIAMETER THAN ENCASED PIPE OUTSIDE DIAMETER WITH BOTH ENDS OF CASING SEALED



**PROPOSED WATER MAIN
BELOW EXISTING SEWER LINE**

POINT LOADS SHALL NOT BE ALLOWED BETWEEN WATER MAIN CASING AND SEWER

OMIT GRANULAR EMBEDMENT AND BACKFILL TO ONE FOOT OVER TOP OF SEWER AND USE EXCAVATED MATERIAL (CLASS IV) AS APPROVED BY THE ENGINEER AND COMPACT 10 FEET ON EACH SIDE OF WATER MAIN.



CASING SHALL BE OF WATERMAIN MATERIAL WITH AN INSIDE DIAMETER 2" LARGER IN DIAMETER THAN ENCASED PIPE OUTSIDE DIAMETER WITH BOTH ENDS OF CASING SEALED

**PROPOSED WATER MAIN
ABOVE EXISTING SEWER LINE**

REVISIONS	
NAME	DATE
100T	1-30-09

ILLINOIS DEPARTMENT OF TRANSPORTATION

WATER MAIN DETAILS

FAP 681 (IL RTE. 116)
SECTION (115)RS-1
LIVINGSTON COUNTY
VILLAGE OF CULLOM

SCALE: VERT.
HORIZ.
DATE

DRAWN BY
CHECKED BY