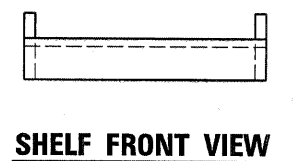
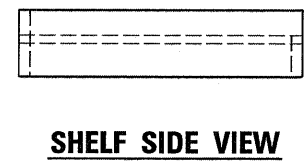
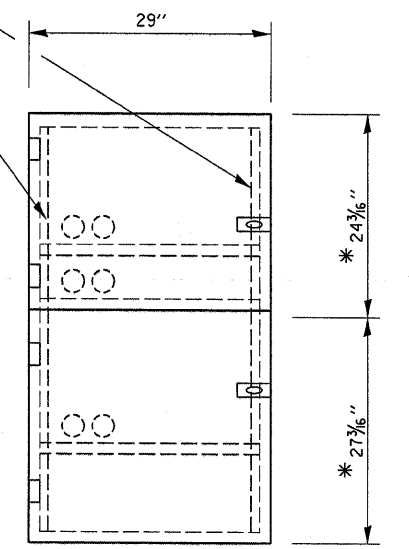
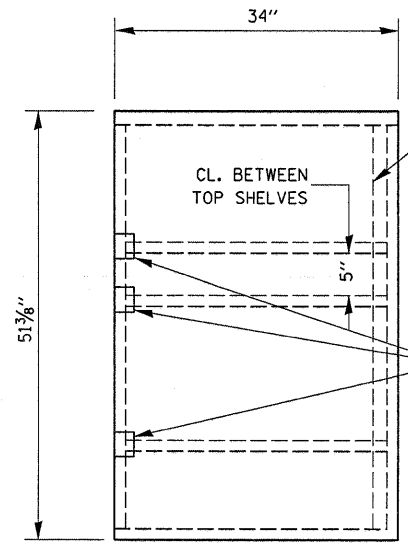


BEGINNING & ENDING TAPER



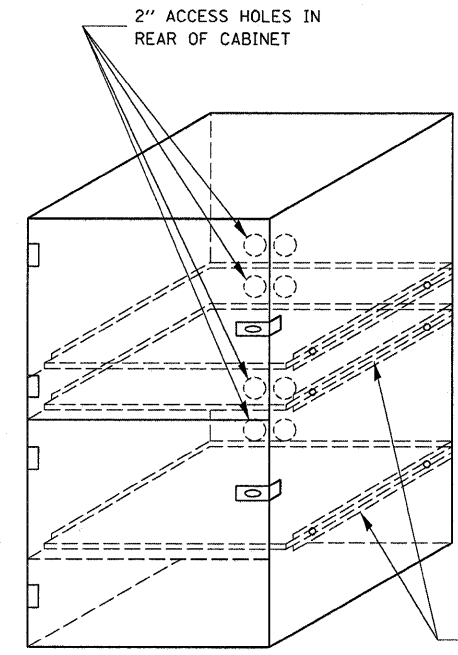
1/2" X 1/2" FLAT STOCK WELD TO FORM DOOR FRAME AND ALSO AROUND PERIMETER OF EACH DOOR.



\* ALLOWS FOR 1/8" CLEARANCE AT TOP AND BOTTOM OF CABINET AND BETWEEN DOORS.

SIDE VIEW

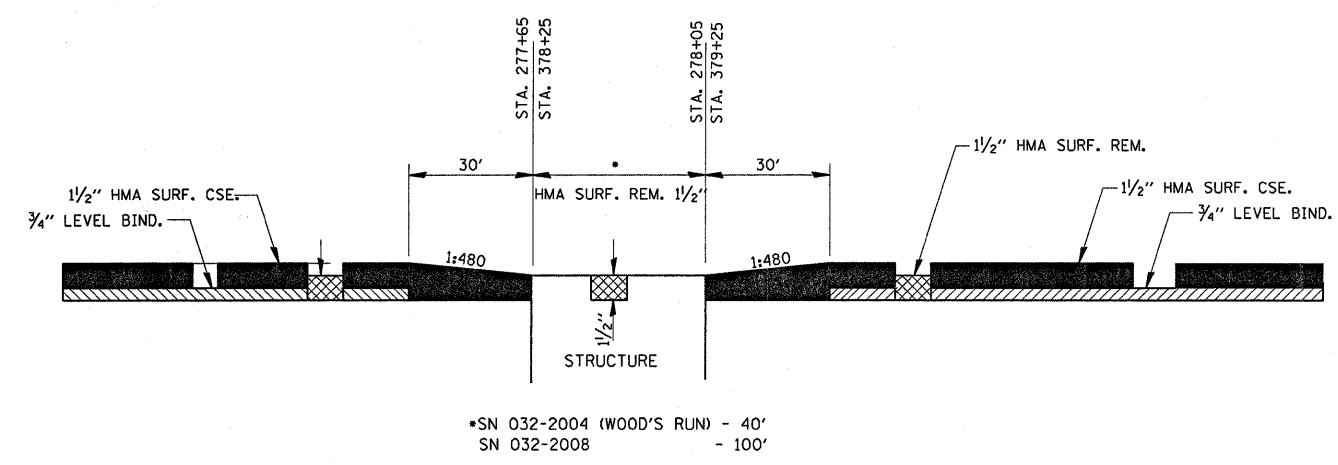
FRONT VIEW



- NOTES:
1. USE 16 GAUGE STEEL FOR CABINET.
  2. THE TOP SHELF SHALL SLIDE IN OR OUT WITH THE TOP DOOR OPEN.
  3. ALL HINGES AND HASPS WILL BE WELDED TO THE CABINET.
  4. ALL EDGES SHALL BE GROUND SMOOTH.
  5. TWO (2" DIA.) ACCESS HOLES WILL BE REQUIRED FOR EACH SHELF.
  6. CABINET SHALL BE PAINTED WITH TWO COATS OF FLAT PAINT.
  7. 2 EACH MATCHING KEY PADLOCKS, WITH 3 KEYS PROVIDED, MASTER MODEL 3 T OR EQUIVALENT.
  8. 4 EACH PLAIN STEEL, NON-REMOVABLE PIN, NO HOLE 4" X 4" SQUARE CORNER HINGES TO BE WELDED ON.
  9. 2 EACH EXTRA HEAVY, PLAIN STEEL, FIXED STAPLE, NO HOLE, 7/4" HASPS TO BE WELDED ON.

FLAT STOCK DIMENSIONS VARY DEPENDING ON TYPE OF ROLLER ASSEMBLY

LOCKABLE COMPUTER CABINET



\*SN 032-2004 (WOOD'S RUN) - 40'  
SN 032-2008 - 100'

FILE NAME =	USER NAME = duncanbd	DESIGNED -	REVISED -	<b>STATE OF ILLINOIS DEPARTMENT OF TRANSPORTATION</b>	<b>DETAILS</b>			F.A.S. RTE.	SECTION	COUNTY	TOTAL SHEETS	SHEET NO.
os:\pw\work\PIWIDOT\DUNCANBD\dms84568\el\shs.dgn		DRAWN -	REVISED -		298	.	**	7	7			
PLOT SCALE = 50.000' / IN.		CHECKED -	REVISED -		* (7X-3,7R-2,6R-2)RS-1 & 92RS-2 CONTRACT NO. 66494							
PLOT DATE = Jan 30, 2009 - 09:23:36 AM		DATE -	REVISED -		ILLINOIS FED. AID PROJECT							
					SCALE:	SHEET NO.	OF	SHEETS	STA.	TO STA.		

\*\* LIVINGSTON & GRUNDY