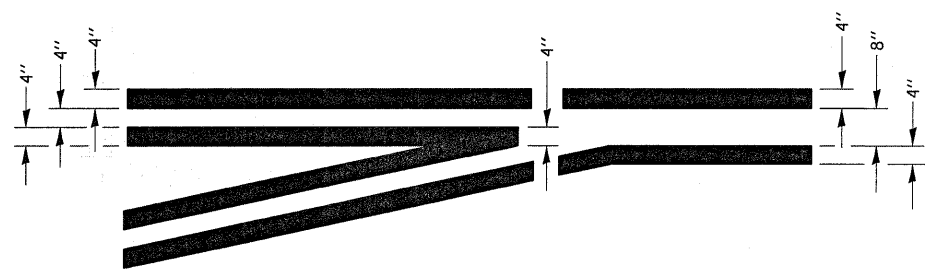
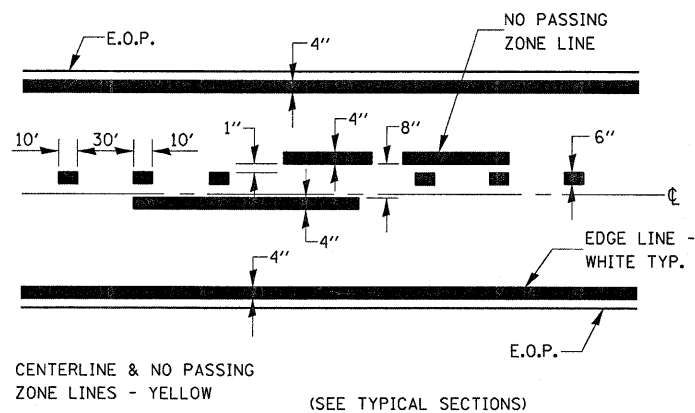


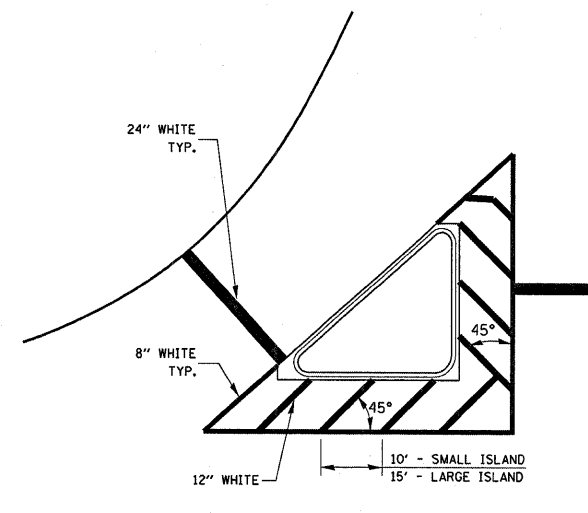
PAVEMENT MARKING AT THE INTERSECTION OF IL 92 AND RED OAKS RD.



**TYPICAL APPLICATION
@ LEFT TURN LANES 780-1**



PAVEMENT MARKING



**TYPICAL ISLAND
780-21**

780-8

FILE NAME =	USER NAME = sellnr	DESIGNED -	REVISED -	STATE OF ILLINOIS DEPARTMENT OF TRANSPORTATION	DETAILS				F.A.P. RTE.	SECTION	COUNTY	TOTAL SHEETS	SHEET NO.	
c:\pw_work\pwsdot\sellnr\d0122909\d36691	sh-t-details.DGN	DRAWN -	REVISED -		SCALE:	SHEET NO.	OF	SHEETS	STA.	TO STA.	587	(138 & 139)RS-4	BUREAU	10 8
	PLOT SCALE = 50.0570' / IN.	CHECKED -	REVISED -											CONTRACT NO. 66918
	PLOT DATE = Feb 02, 2009 - 01:07:05 PM	DATE -	REVISED -											ILLINOIS FED. AID PROJECT