

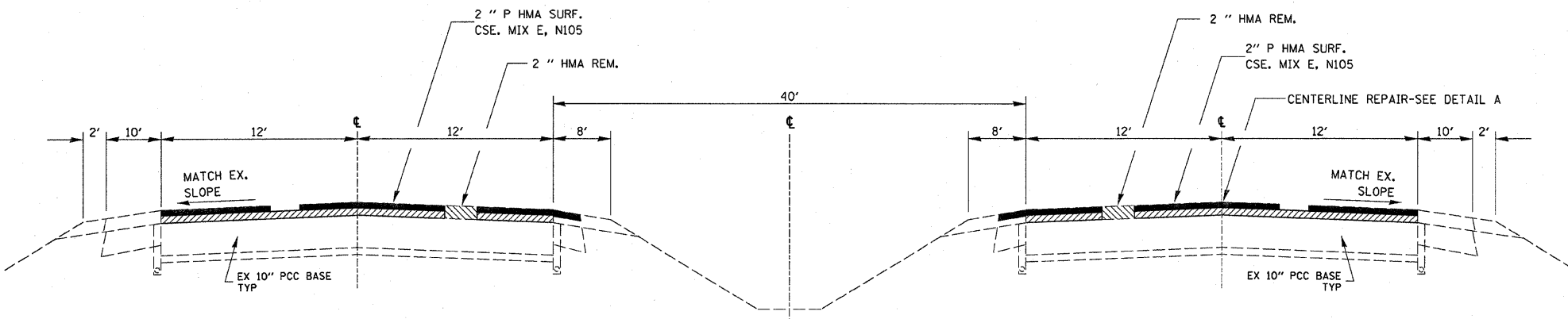
TYPICAL SECTION*

MILE MARKER 73.0 TO 83.5

WEST BOUND

EAST BOUND

***THE MILLING DEPTHS HAVE BEEN SET BY MATERIALS BASE ON CORES TAKEN. IF CHANGES TO THE LOCATIONS OF INTERMITTANT RESURFACING ARE MADE, THE DEPTHS OF MILLING INDICATED SHALL REMAIN AS SHOWN ON THESE THREE TYPICAL SECTIONS**

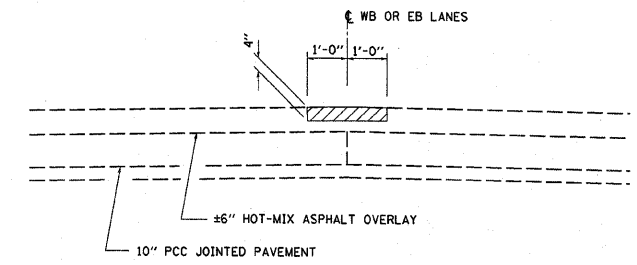


TYPICAL SECTION*

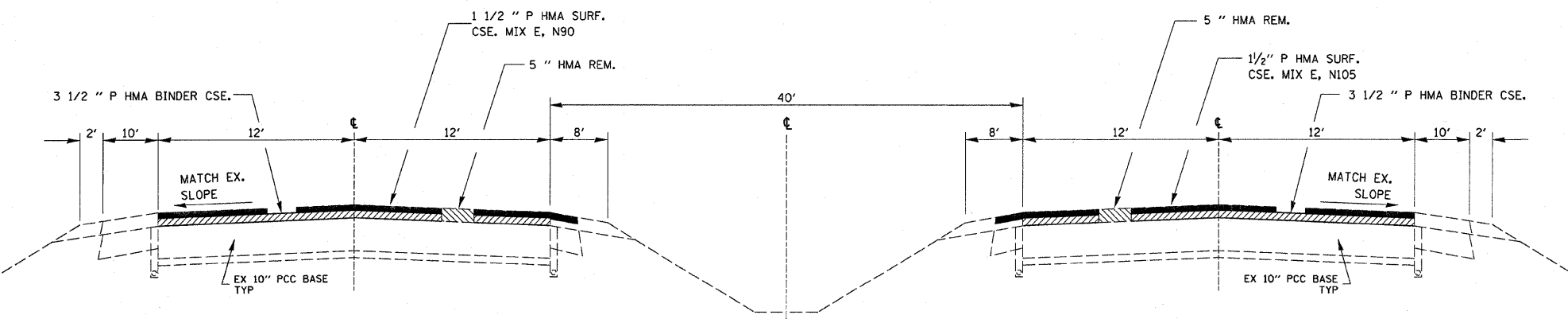
MILE MARKER 83.5 TO 93.5

WEST BOUND

EAST BOUND



DETAIL A
HMA SURF REMOVAL SPECIAL



TYPICAL SECTION*

MILE MARKER 93.5 TO 104.0

WEST BOUND

EAST BOUND

FILE NAME =	USER NAME = braboyco	DESIGNED -	REVISED -
ct:\pwork\pwork\braboyco\d0118450\d368927-sht-cover.dgn		DRAWN -	REVISED -
	PLOT SCALE = 47.8261' / IN.	CHECKED -	REVISED -
	PLOT DATE = Jan 27, 2009 - 04:11:36 PM	DATE -	REVISED -

STATE OF ILLINOIS
DEPARTMENT OF TRANSPORTATION

TYPICAL SECTIONS

SCALE: _____ SHEET NO. ____ OF ____ SHEETS STA. _____ TO STA. _____

F.A.I. RTE.	SECTION	COUNTY	TOTAL SHEETS	SHEET NO.
80	(50-2,3,4,5,6)I	BUREAU	6	3
CONTRACT NO. 66927				
FED. ROAD DIST. NO. [ILLINOIS] FED. AID PROJECT				