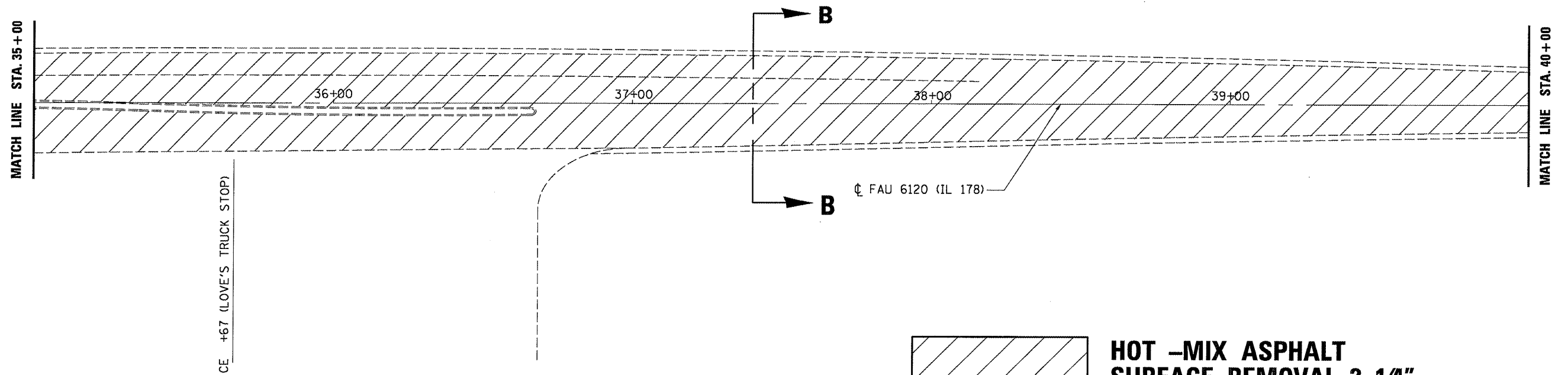


 **HOT -MIX ASPHALT
SURFACE REMOVAL 2 1/4"**



 **HOT -MIX ASPHALT
SURFACE REMOVAL 2 1/4"**

| | | | | | | | | | | |
|--|---|---|--|---|---|---|---------------------------|-------------------|-----------------------|--------------------|
| FILE NAME = c:\pw\work\VPWIDOT\WOODSHANKRL\d0122958 | USER NAME = woodshankr1 D366953-topo.dgn | DESIGNED - RON WOODSHANK DRAWN - RON WOODSHANK | REVISED - REVISED - REVISED - REVISED - | STATE OF ILLINOIS DEPARTMENT OF TRANSPORTATION | PLAN VIEW STA. 30+00 TO STA. 40+00 | F.A.U. RTE. 6120 | SECTION 150-2HB-5)RS-2 | COUNTY LASALLE | TOTAL SHEETS 17 | SHEET NO. 10 |
| | PLOT SCALE = 17,000 m / IN. | CHECKED - DATE - | REVISED - REVISED - | | | SCALE: _____ SHEET NO. 4 OF 5 SHEETS STA. 30+00 TO STA. 40+00 | CONTRACT NO. 66953 | | | |
| | PLOT DATE = Feb 05, 2009 - 01:32:02 PM | DATE - | REVISED - | | | ILLINOIS FED. AID PROJECT | | | | |
| | | | | | | | | | | |