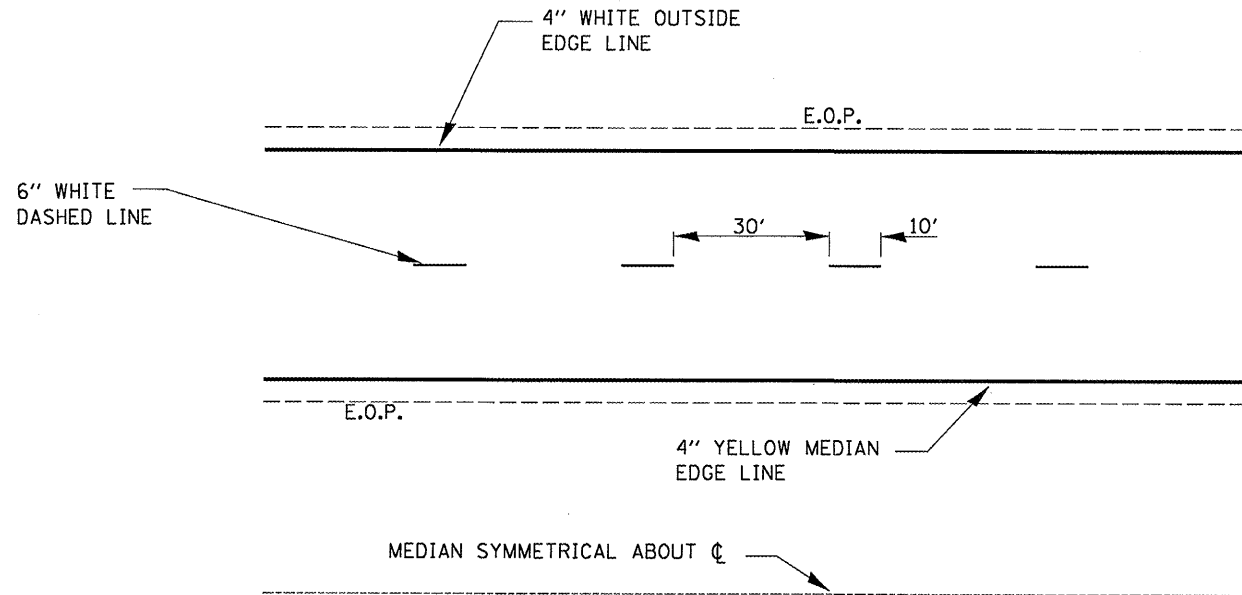
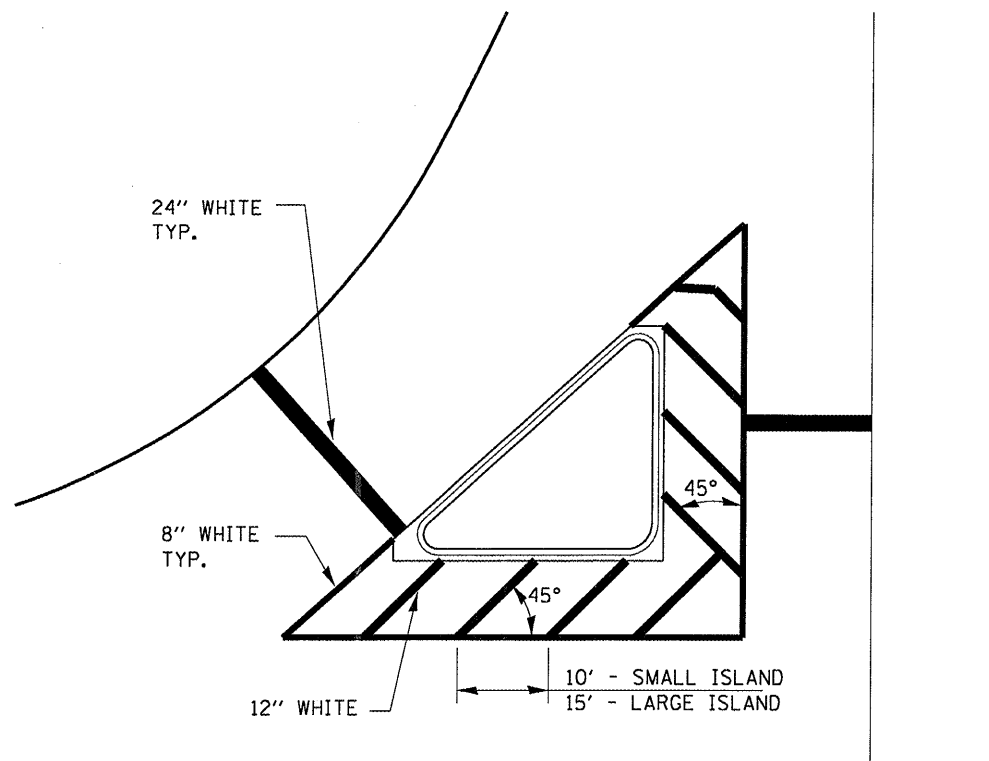


CENTERLINE & NO PASSING ZONE LINES - YELLOW

PAVEMENT MARKING
TWO LANE



TYPICAL PAVEMENT MARKINGS
MULTILANE



TYPICAL ISLAND

FILE NAME =
c:\pwwork\pwwid\WOODSHANKRL\d0122958

USER NAME = woodshankr-l
D386953-topo.dgn
PLOT SCALE = 17.000 m / IN.
PLOT DATE = Feb 05, 2009 - 01:32:34 PM

DESIGNED - RON WOODSHANK	REVISED -
DRAWN - RON WOODSHANK	REVISED -
CHECKED -	REVISED -
DATE -	REVISED -

STATE OF ILLINOIS
DEPARTMENT OF TRANSPORTATION

TYPICAL PAVEMENT MARKING

SCALE: _____ SHEET NO. ____ OF ____ SHEETS STA. _____ TO STA. _____

F.A.U. RTE.	SECTION	COUNTY	TOTAL SHEETS	SHEET NO.
6120	(50-2HB-5)RS-2	LASALLE	17	17
CONTRACT NO. 66953				
ILLINOIS FED. AID PROJECT				