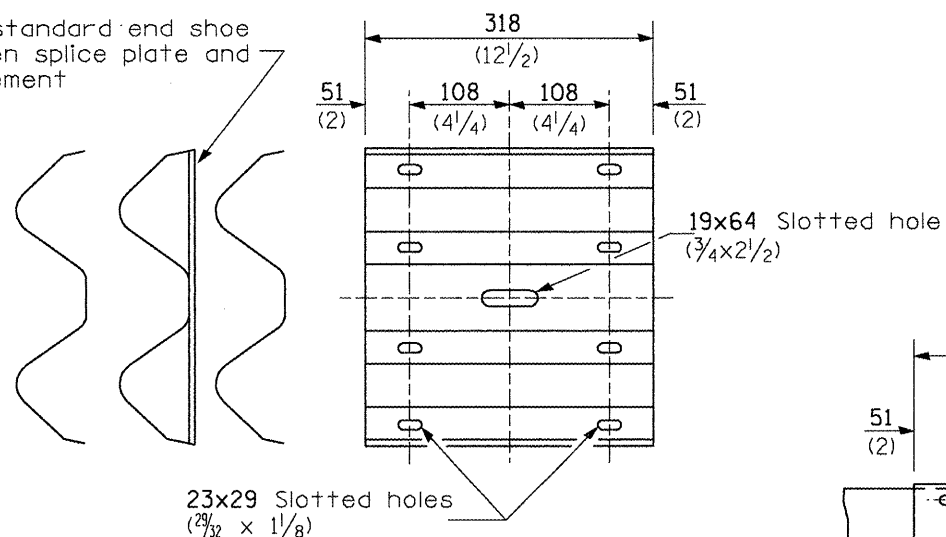
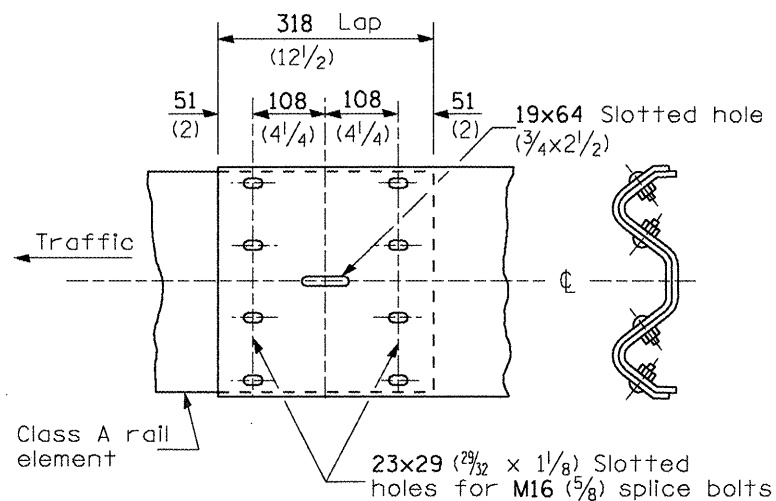


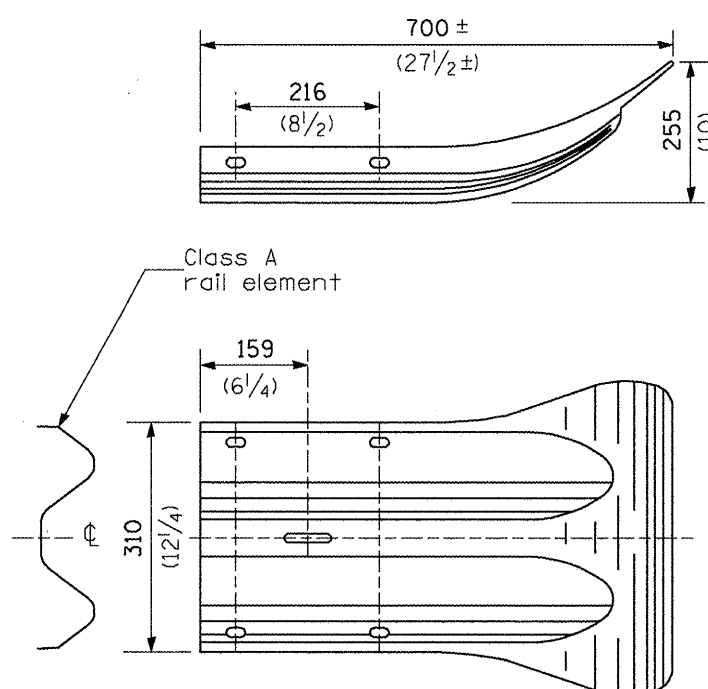
Place standard end shoe between splice plate and rail element



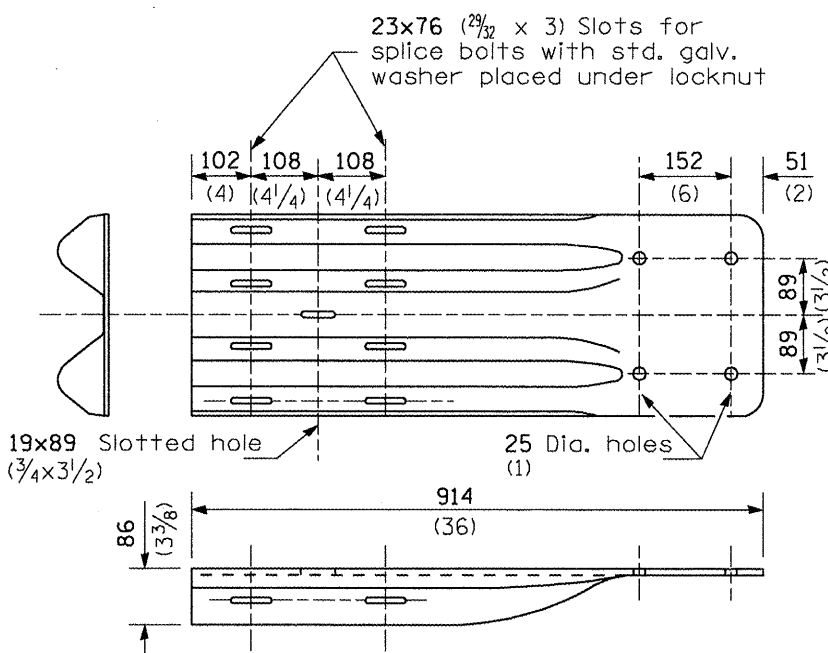
**SPLICE PLATE**



**RAIL ELEMENT SPLICE**



**END SECTION**



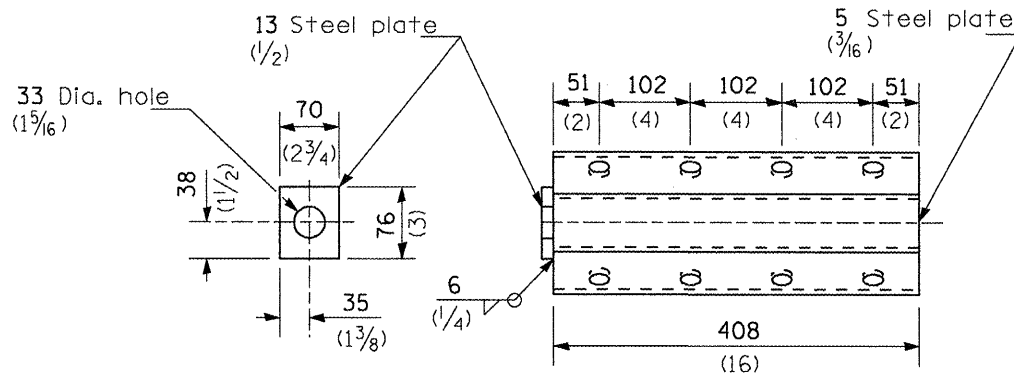
NOTE

When end shoe is attached to a bridge parapet which has an expansion joint, the bolts shall be provided with a locknut or double nut and shall be tightened only to a point that will allow guardrail movement.

The standard end shoe shall be attached to the concrete with pre-drilled or self-drilling anchor bolts. The anchor cone shall be set flush with the surface of the concrete.

Externally threaded studs protruding from the surface of the concrete will not be permitted.

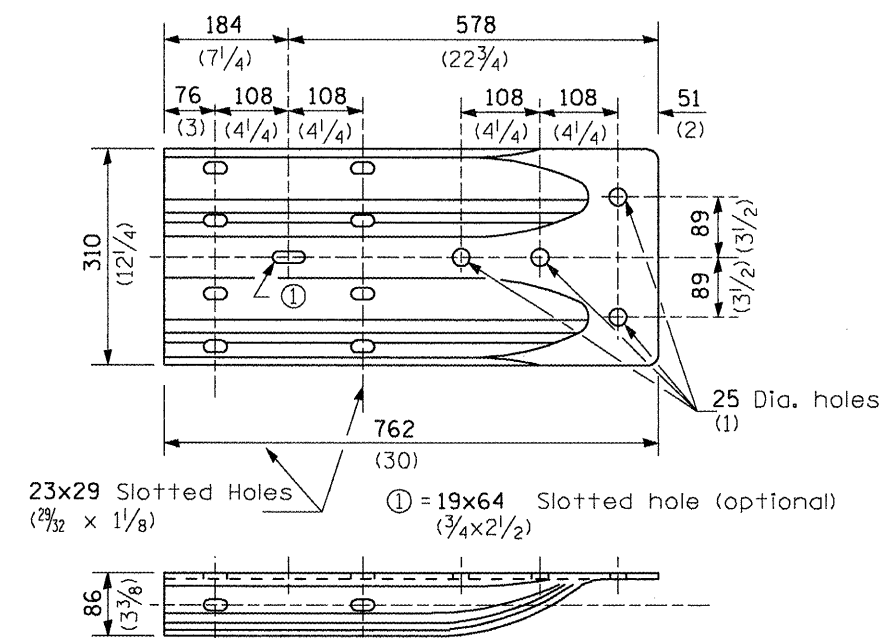
**END SHOE**



NOTE

Anchor plate T shall be used to attach cable assembly to guardrail when required on traffic barrier terminals.

**ANCHOR PLATE T DETAILS**



**ALTERNATE END SHOE**

FILE NAME = I-74 Morton General File.dgn

USER NAME = k1mankk  
 PLOT SCALE = 100.0000' / IN.  
 PLOT DATE = 2/11/2009

DESIGNED -  
 DRAWN -  
 CHECKED -  
 DATE -

REVISED -  
 REVISED -  
 REVISED -  
 REVISED -

STATE OF ILLINOIS  
 DEPARTMENT OF TRANSPORTATION

STEEL PLATE BEAM GUARDRAIL  
 (SPECIAL) DETAIL

NOT TO SCALE SHEET NO. 3 OF 4 SHEETS

F.A.I. RTE.	SECTION	COUNTY	TOTAL SHEETS	SHEET NO.
74	(90-15IRS-3)	TAZEWELL	60	47
CONTRACT NO. 68508			ILLINOIS FED. AID PROJECT	