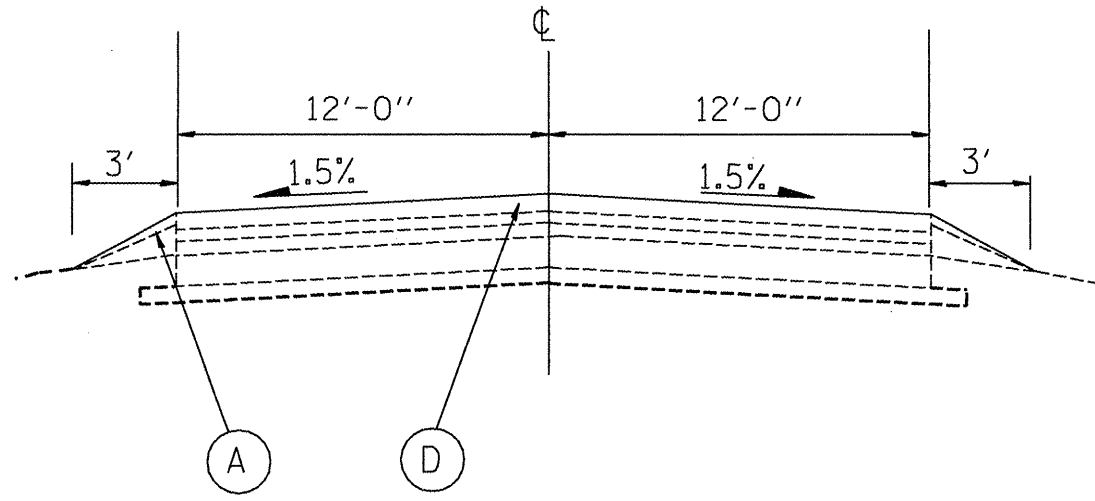


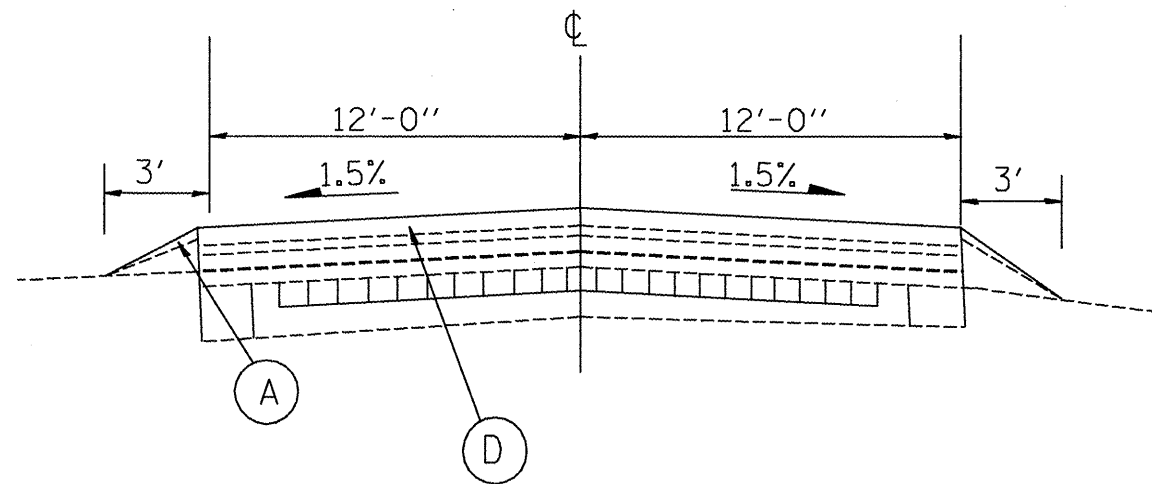
F.A.P. RTE.	SECTION	COUNTY	TOTAL SHEETS	SHEET NO.
22	*	FULTON	71	18
STA.		TO STA.		
FED. ROAD DIST. NO.		ILLINOIS FED. AID PROJECT		
* 133RS-3;134RS-2;135RS-5				



STA 56+85 - 77+75  
 STA 241+83 - 285+75  
 STA 291+90 - 308+00  
 STA 313+00 - 319+00  
 STA 332+50 - 351+60

LEGEND

- (A) PROP AGGREGATE SHOULDERS, TYPE B, WEDGE
- (B) PROP HMA SHOULDERS, 8"
- (C) PROP EARTH EXCAVATION WIDENING, 8"
- (D) PROP HMA SURF CSE, MIX D, N50, 2"



STA 77+75 TO STA 241+00

REVISIONS	
NAME	DATE

ILLINOIS DEPARTMENT OF TRANSPORTATION

IL 78 PROPOSED  
 TYPICAL SECTIONS

SCALE: VERT.  
 HORIZ.  
 DATE

DRAWN BY  
 CHECKED BY