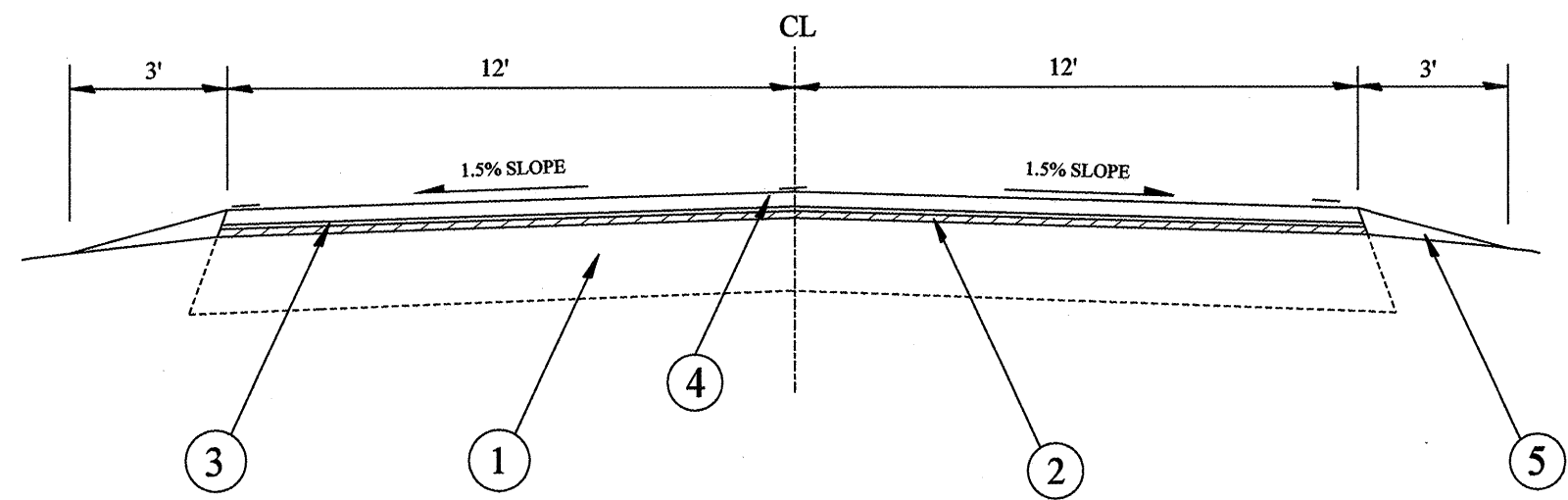


F.A.P. RTE.	SECTION	COUNTY	TOTAL SHEETS	SHEET NO.
22	131RS-4	PEORIA	17	6
FED. ROAD DIST. NO. ILLINOIS FED. AID PROJECT				



Sta. 1067+70 to 1226+80

LEGEND

- 1. EXISTING PAVEMENT
- 2. PROPOSED HMA SURFACE REMOVAL, 1/2"
- 3. PROPOSED POLYMERIZED LEVELING BINDER, N50, 3/4"
- 4. PROPOSED HMA SURFACE CSE, MIX D, N50, 1 1/2"
- 5. PROPOSED AGGREGATE SHOULDER TY B, WEDGE

REVISIONS	
NAME	DATE

ILLINOIS DEPARTMENT OF TRANSPORTATION

TYPICAL SECTIONS
IL 78 (FAP 22)

DRAWN BY _____
CHECKED BY _____
DATE _____