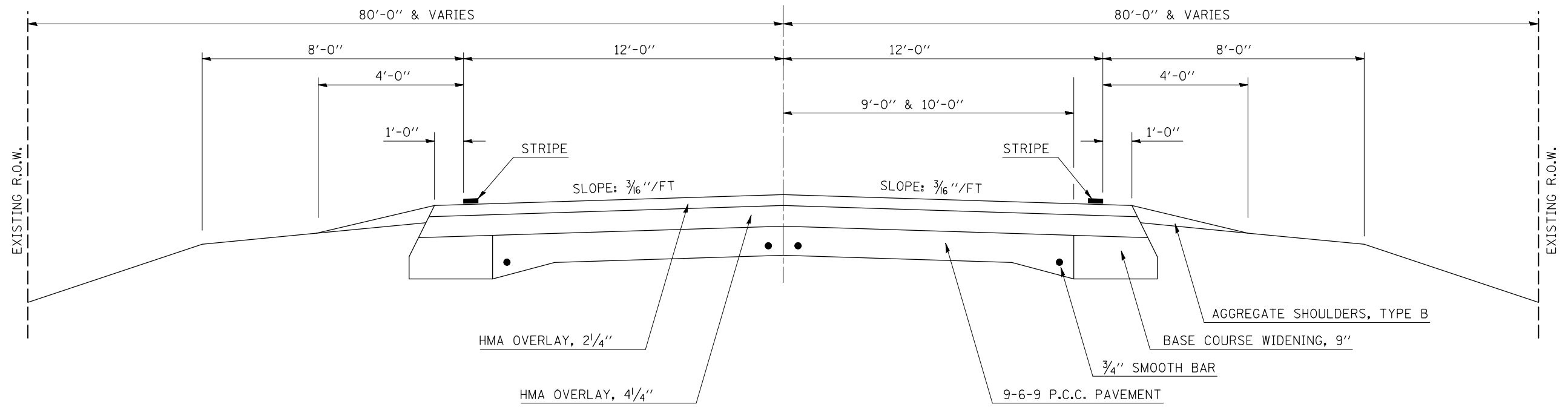


EXISTING TYPICAL SECTION ①

STATION	TO	STATION	
① 1924+00.00		2062+00.00	RT. ②
① 1924+00.00		2061+85.00	LT. ②
① 2082+65.00	⊕	2127+75.00	⊖



EXISTING TYPICAL SECTION ②

STATION	TO	STATION	
② 2062+00.00	RT.	2082+65.00	①
② 2061+85.00	LT.	2082+65.00	①

BRIDGE OMISSION: STA. 2077+84 TO STA. 2079+29

