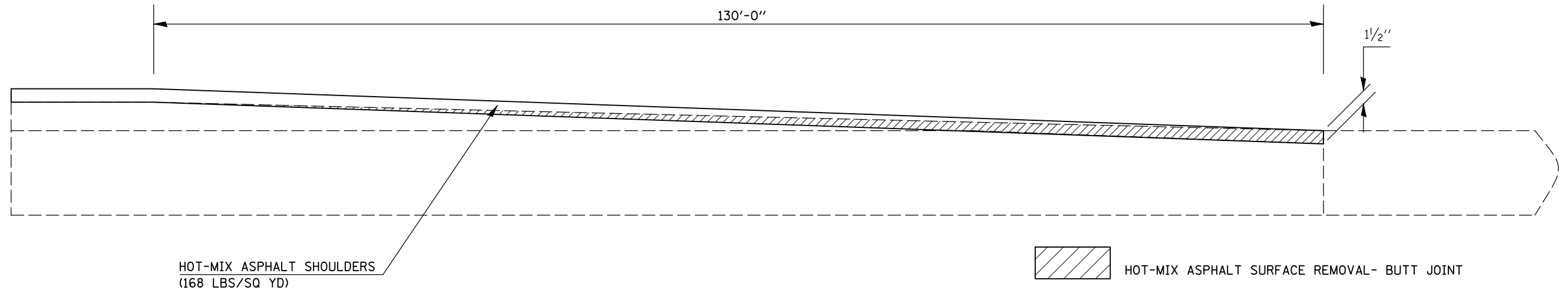


DETAIL FOR HOT-MIX ASPHALT SURFACE REMOVAL – BUTT JOINT AT S.N.(S) 057-0059, 057-0060

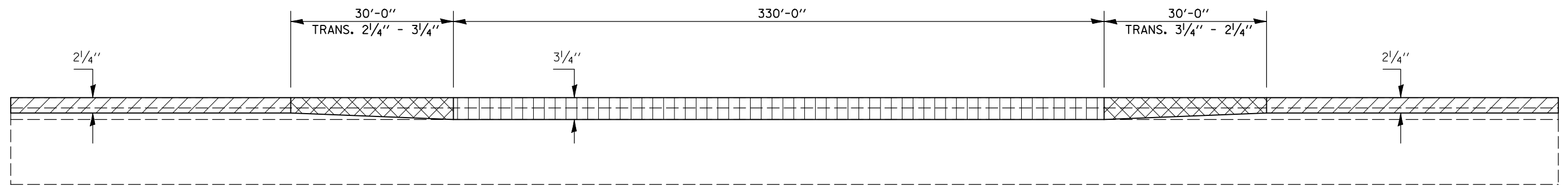
	STATION	TO	STATION		STATION	TO	STATION
(RAMP J)(LT)	17+11.00		(LT) 18+43.08 (SN 057-0059)	(LT)	56+00.63		(LT) 57+31.00 (SN 057-0060) (ROADWAY K)
(ROADWAY L)(RT)	56+06.92		(RT) 57+31.00 (SN 057-0059)	(RT)	50+00.63		(RT) 57+27.00 (SN 057-0060) (ROADWAY K)
(ROADWAY L)(RT)	58+82.00		(RT) 60+11.64 (SN 057-0059)	(RT)	8+82.00		(RT) 10+12.00 (SN 057-0060) (RAMP F)
(RAMP J)(LT)	14+38.36		(LT) 15+67.00 (SN 057-0059)	(LT)	58+82.00		(LT) 60+04.97 (SN 057-0060) (ROADWAY L)



DETAIL FOR MILLING TRANSITION UNDER S.N. 057-0004

NOTE: AREA OF MILLING TRANSITION SHALL BE INCLUDED IN THE CONTRACT UNIT PRICE FOR THE VARIOUS PAY ITEMS FOR HOT-MIX ASPHALT SURFACE REMOVAL OF THE DEPTH SPECIFIED AND NO ADDITIONAL COMPENSATION SHALL BE ALLOWED.

STATION	TO	STATION
69+46.60		69+76.60 (ROADWAY K VET PKWY SB)
73+06.60		73+36.60 (ROADWAY K VET PKWY SB)



HOT-MIX ASPHALT SURFACE REMOVAL, 2 1/4"

AREA OF MILLING TRANSITION 2 1/4" - 3 1/4"

HOT-MIX ASPHALT SURFACE REMOVAL, 3 1/4"

SHEET 3 OF 4

FILE NAME =	USER NAME = shererjm	DESIGNED - JMS	REVISED -	STATE OF ILLINOIS DEPARTMENT OF TRANSPORTATION	MILLING & PAVING TRANSITION DETAILS ROADWAY(S) K, L, VETERANS PKWY NB & SB	F.A.P. RTE.	SECTION	COUNTY	TOTAL SHEETS	SHEET NO.	
ct:\pw\work\PWIDOT\SHERERJM\dms83233\70605details.dgn	DRAWN - JMS	REVISED -	REVISED -			74	57-20(1)&(57-4,5,6)RS-3	MCLEAN	160	89	
PLOT SCALE = 100.0000' / IN.	CHECKED -	REVISED -	REVISED -			CONTRACT NO. 70505					
PLOT DATE = 1/30/2009	DATE - 6/03/2008	REVISED -	REVISED -			SCALE: NO SCALE SHEET NO. OF SHEETS STA. TO STA. FED. ROAD DIST. NO. ILLINOIS FED. AID PROJECT					