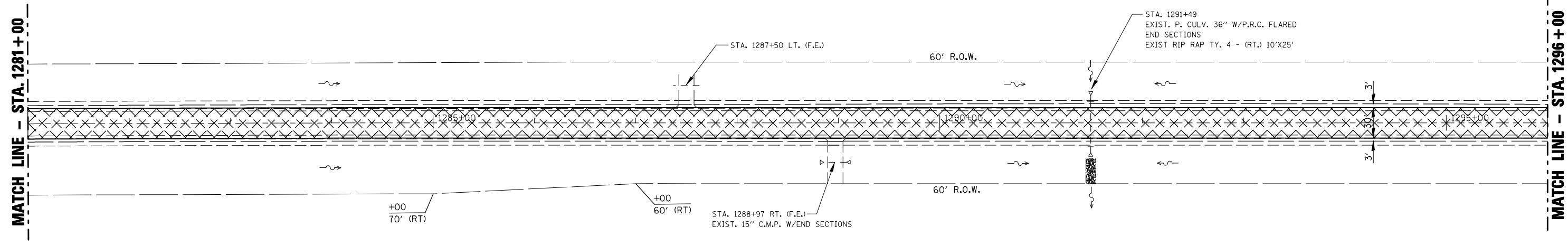
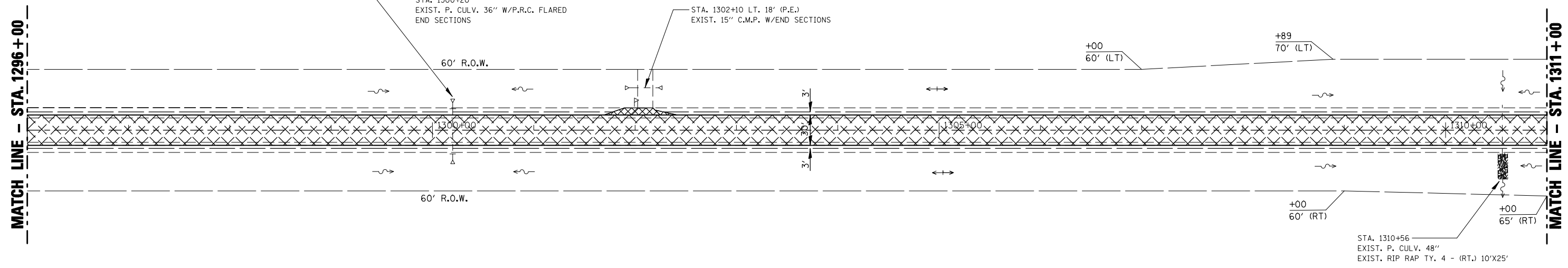


SEC 12, T26N, R3E, 3RD PM



- HOT MIX ASPHALT SURFACE COURSE REMOVAL, 2 1/4 "
- HOT MIX ASPHALT SURFACE COURSE REMOVAL, VARIABLE DEPTH (2 1/4" TO 1 1/2")
- HOT MIX ASPHALT SURFACE COURSE REMOVAL, 3/4 "
- HOT MIX ASPHALT SURFACE COURSE REMOVAL, BUTT JOINT

SEC 12, T26N, R3E, 3RD PM



FILE NAME =	USER NAME = stultsjw	DESIGNED -	REVISED -	<b>STATE OF ILLINOIS DEPARTMENT OF TRANSPORTATION</b>	<b>PLAN SHEET</b>			F.A.P. RTE.	SECTION	COUNTY	TOTAL SHEETS	SHEET NO.
ce:\pwwork\pwwid01\STULTSJW\d0117834\0506-sh1-plan.dgn		DRAWN -	REVISED -		317	(28)RS-4 & (29,30)RS-2	MCLEAN	54	32			
PLOT SCALE = 100.0000' / IN.		CHECKED -	REVISED -		SCALE:      SHEET NO.    OF    SHEETS    STA. 1281+00 TO STA. 1311+00			CONTRACT NO. 70506				
PLOT DATE = 1/30/2009		DATE -	REVISED -		ILLINOIS FED. AID PROJECT							