

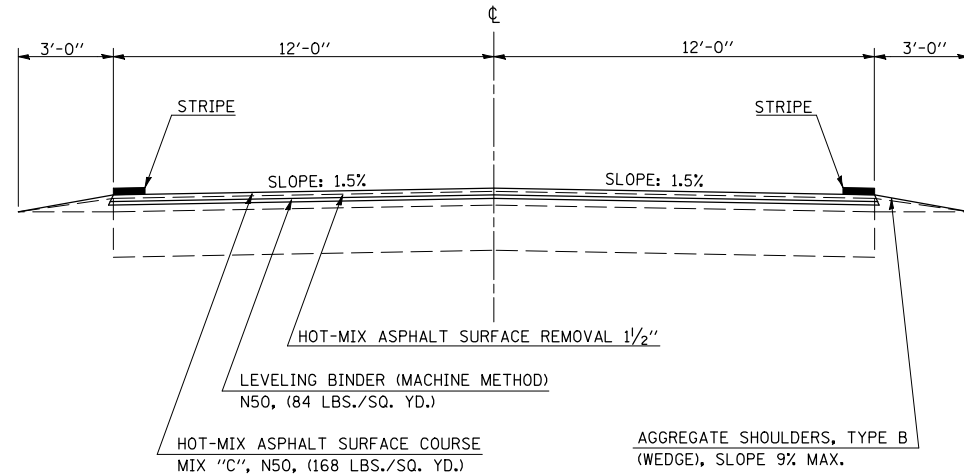
F.A.S. RTE.	SECTION	COUNTY	TOTAL SHEETS	SHEET NO.
294	*	MCLEAN	22	7
STA.		TO STA.		
FED. ROAD DIST. NO.	ILLINOIS	FED. AID PROJECT		

*(14R2 & 15R1)RS-1

BRIDGE OMISSION
 STA. 2347+68.00 TO STA. 2350+52.00
 STA. 2369+42.00 TO STA. 2369+68.00
 STA. 2489+20.00 TO STA. 2491+98.00
 STA. 2811+28.00 TO STA. 2813+12.00

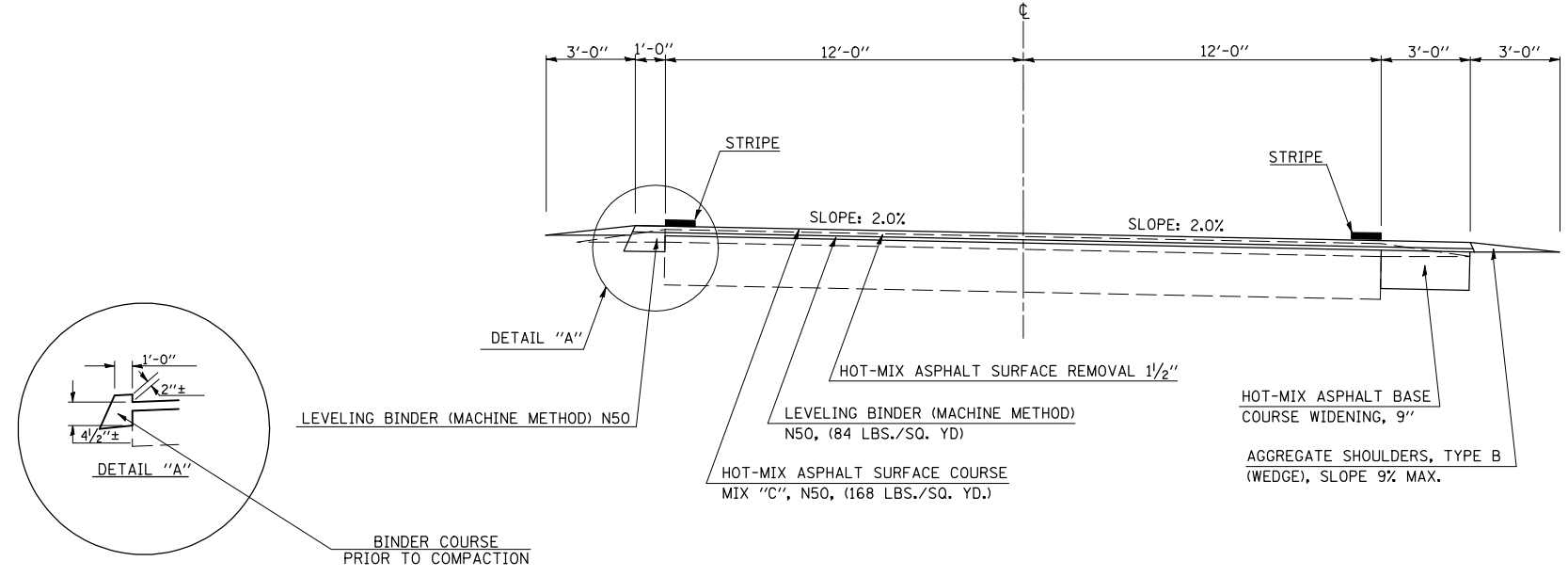
PROPOSED TYPICAL CROSS SECTION (A)

STATION	TO	STATION	
2300+12.00		2393+19.82	(B)
(B) 2420+56.66		2421+98.83	(C) STATION EQUATION: 2420+56.66 (BACK) = 2420+64.46 (AHEAD)
(C) 2456+01.74		2460+58.83	(B)
(B) 2485+12.78		2628+31.00	(D) STATION EQUATION: 2489+32.83 (BACK) = 2487+74.18 (AHEAD)
(D) 2628+57.00		2764+55.31	(B)
(B) 2775+13.64		2823+02.50	(B)
(B) 2841+59.05		2843+90.97	(C)
(C) 2880+88.34		2882+77.47	(B)
(B) 2901+47.21		2987+70.00	



PROPOSED TYPICAL CROSS SECTION (B)

STATION	TO	STATION	
(A) 2393+19.82		2420+56.66	(A)
(A) 2460+58.83		2485+12.78	(A)
(A) 2764+55.31		2775+13.64	(A)
(A) 2823+02.50		2841+59.05	(A)
(A) 2882+77.47		2901+47.21	(A)



ILLINOIS DEPARTMENT OF TRANSPORTATION
PROPOSED TYPICAL CROSS SECTIONS
 F.A.S. ROUTE 294 (OLD U.S. ROUTE 66)
 SECTION (14R2 & 15R1)RS-1
 MCLEAN COUNTY
 SCALE: NOT TO SCALE
 DATE: 08/03/06
 DRAWN BY: M.L.B./B.B.P.
 CHECKED BY: M.L.B.

PLOT DATE = 1/14/2009
 FILE NAME = G:\DWG\WORK\PIERSONBR\DO12345\dlisth.tsc.dgn
 USER NAME = piersonbr