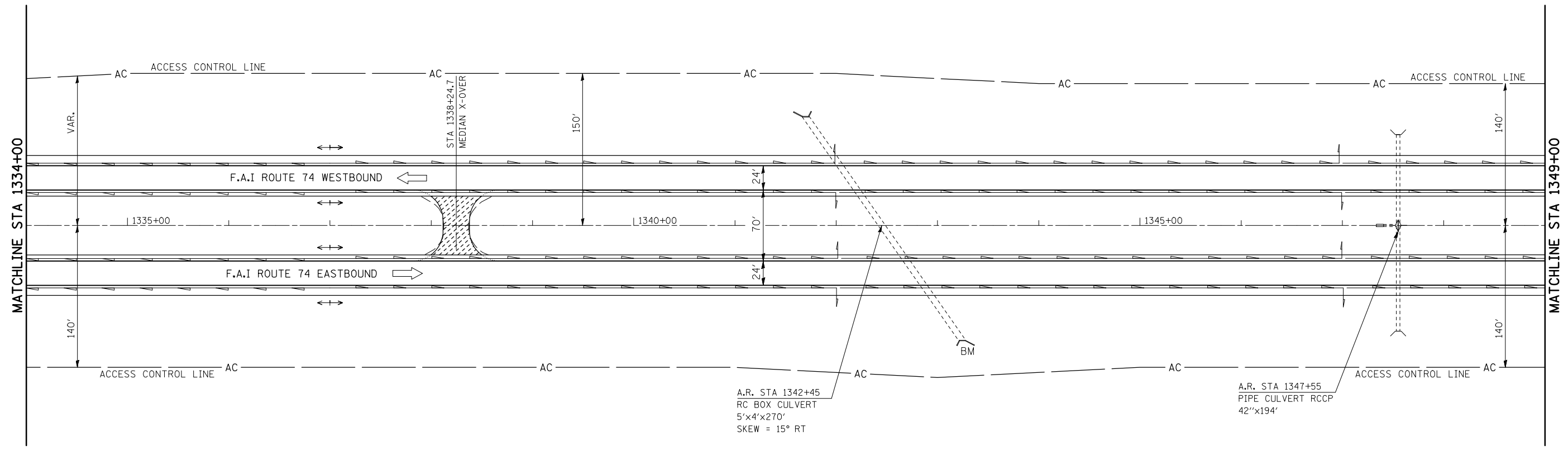
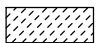


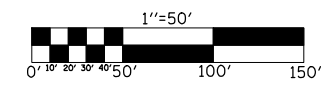
F.A.I. RTE.	SECTION	COUNTY	TOTAL SHEETS	SHEET NO.
74	(74,10-4,1)RS-1	•	69	21
STA. 1334+00		TO STA. 1349+00		
FED. ROAD DIST. NO.	ILLINOIS	FED. AID PROJECT		
• PIATT & CHAMPAIGN				



 INCIDENTAL HOT-MIX ASPHALT SURFACING

SEE DETAIL FOR MEDIAN CROSSOVER TO BE RECONSTRUCTED SHEET 35 OF 69

BM #4803-2
CHISELED SQUARE LOCATED ON THE TOP CENTER OF AN AR BOX CULVERT.
STA 1343+24.5, 113.4' RT, ELEV = 759.071



ILLINOIS DEPARTMENT OF TRANSPORTATION
PLAN VIEW
F.A.I. ROUTE 74
SECTION (74,10-4,1)RS-1
PIATT & CHAMPAIGN COUNTIES

SCALE: 1" = 50'
DATE: 04/30/07

DRAWN BY: JRP
CHECKED BY:

PLOT DATE = 2/5/2009
FILE NAME = c:\p\work\70527\reference.dgn
PLOT SCALE = 1/85,8824 / IN.
USER NAME = sherer, j