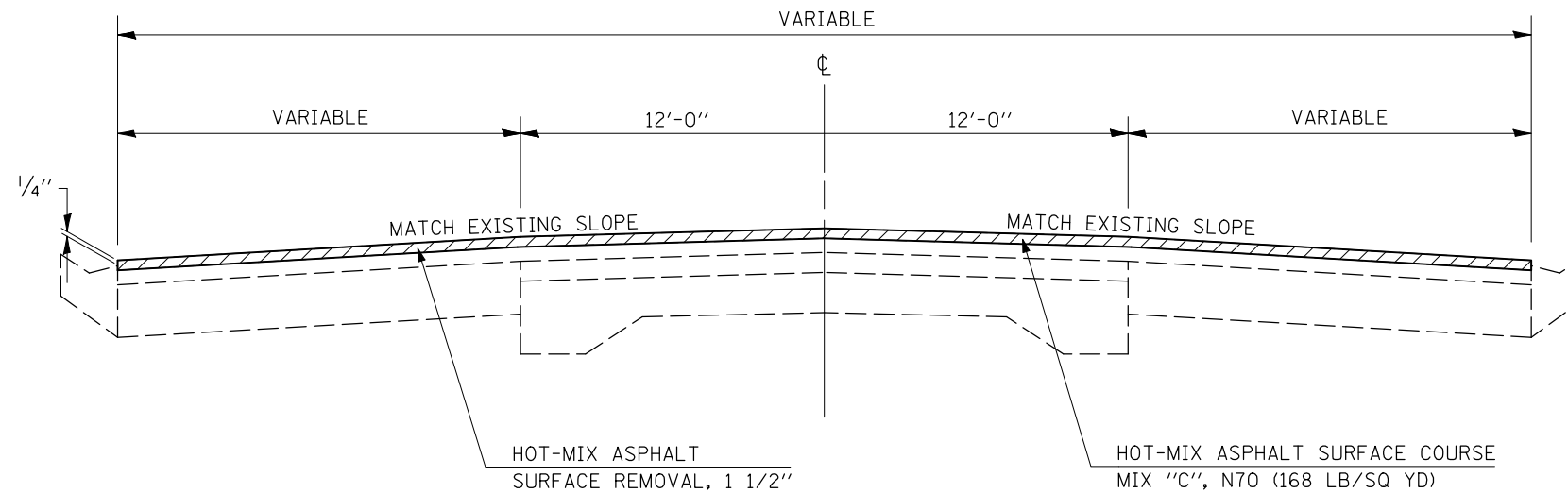
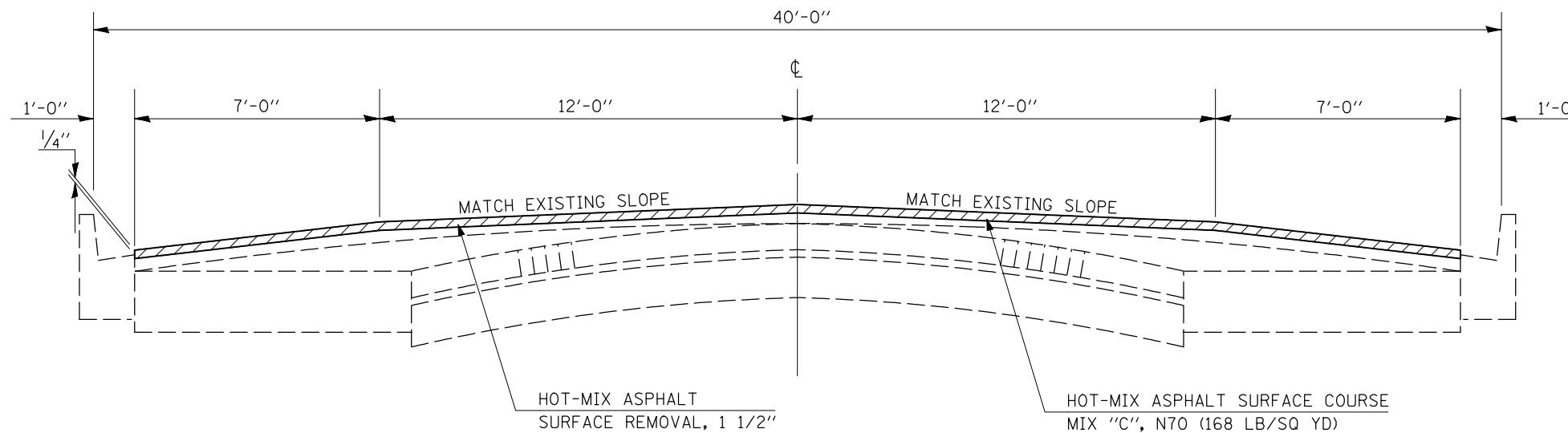


**PROPOSED TYPICAL CROSS SECTION  
F.A.P. 836 (IL49)  
STA. 911+29.60 TO STA. 911+79.60**



**PROPOSED TYPICAL CROSS SECTION  
F.A.P. 836 (IL49)  
STA. 911+79.60 TO STA. 933+37.00**



FILE NAME =	USER NAME = ppersonbr	DESIGNED -	REVISED -
ct:\pw\work\PIWIDOT\PIERSONBR\d0117734\d5	0642-shr-typical.dgn	DRAWN -	REVISED -
	PLOT SCALE = 40.0000' / IN.	CHECKED -	REVISED -
	PLOT DATE = 2/6/2009	DATE -	REVISED -

**STATE OF ILLINOIS  
DEPARTMENT OF TRANSPORTATION**

**PROPOSED TYPICAL CROSS SECTIONS**

SCALE: SHEET NO. OF SHEETS STA. TO STA.

F.A.P. RTE.	SECTION	COUNTY	TOTAL SHEETS	SHEET NO.
836	119RS-4 & 119Z RS-2	Champaign	26	10
CONTRACT NO. 70642			ILLINOIS FED. AID PROJECT	