

STATE OF ILLINOIS  
DEPARTMENT OF TRANSPORTATION  
DIVISION OF HIGHWAYS

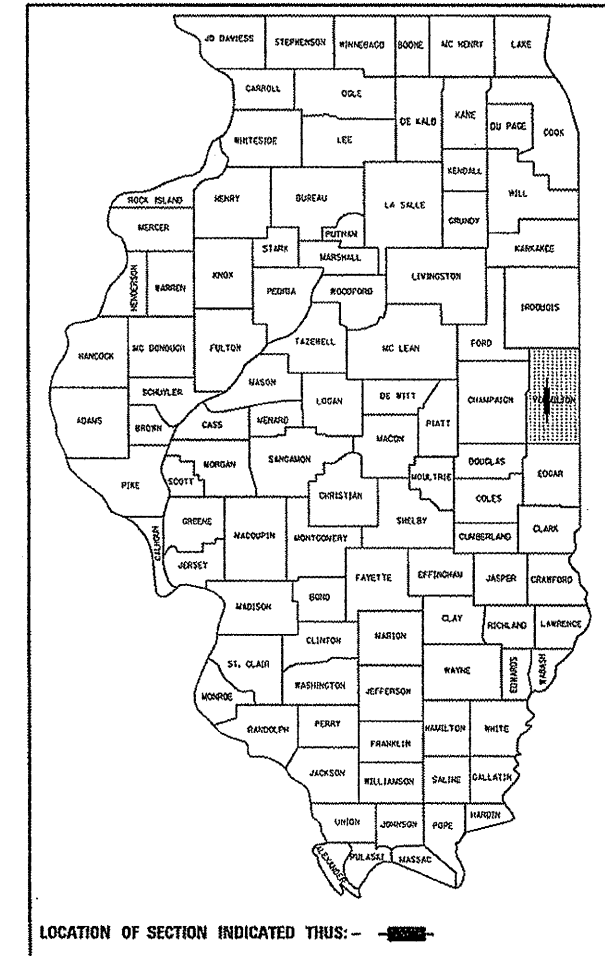
**PROPOSED  
HIGHWAY PLANS**

F.A.S. ROUTE 513  
SECTION (48,54,55,0-1-15D,58)I-2  
PROJECT ESP-0513(103)  
PAVEMENT PATCHING  
VERMILION COUNTY

C-95-029-09

F.A.S. RTE.	SECTION	COUNTY	TOTAL SHEETS	SHEET NO.
513	(48,54,55,0-1-15D,58)I-2	VERMILION	13	1
		ILLINOIS		CONTRACT NO. 70771

FOR INDEX OF SHEETS, SEE SHEET NO. 2  
FOR SUMMARY OF QUANTITIES, SEE SHEET NO. 3

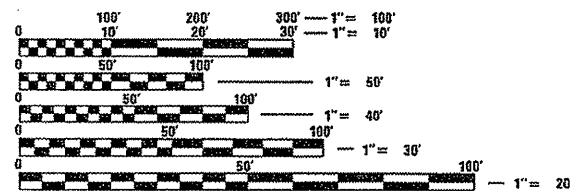


**CURRENT ADT**

F. A. S. 513 = 1300

**DESIGN DESIGNATION**

N/A



FULL SIZE PLANS HAVE BEEN PREPARED USING STANDARD ENGINEERING SCALES. REDUCED SIZED PLANS WILL NOT CONFORM TO STANDARD SCALES. IN MAKING MEASUREMENTS ON REDUCED PLANS, THE ABOVE SCALES MAY BE USED.

J.U.L.I.E.  
JOINT UTILITY LOCATION INFORMATION FOR EXCAVATION  
1-800-892-0123  
OR 811 SIDELL, JAMAICA AND VANCE TOWNSHIPS

PROJECT ENGINEER  
PROJECT MANAGER: BRIAN TRYGG  
217-465-4181  
CONTRACT NO. 70771

SECTION 48 BEGINS  
STA. 0+00.00

SECTION 48 ENDS  
STA. 43+00.00

OMISSION FROM  
SECTION

SECTION 55 BEGINS  
STA. 216+00.00

SECTION 55 ENDS  
STA. 436+94.00

SECTION 58 BEGINS  
STA. 456+94.00

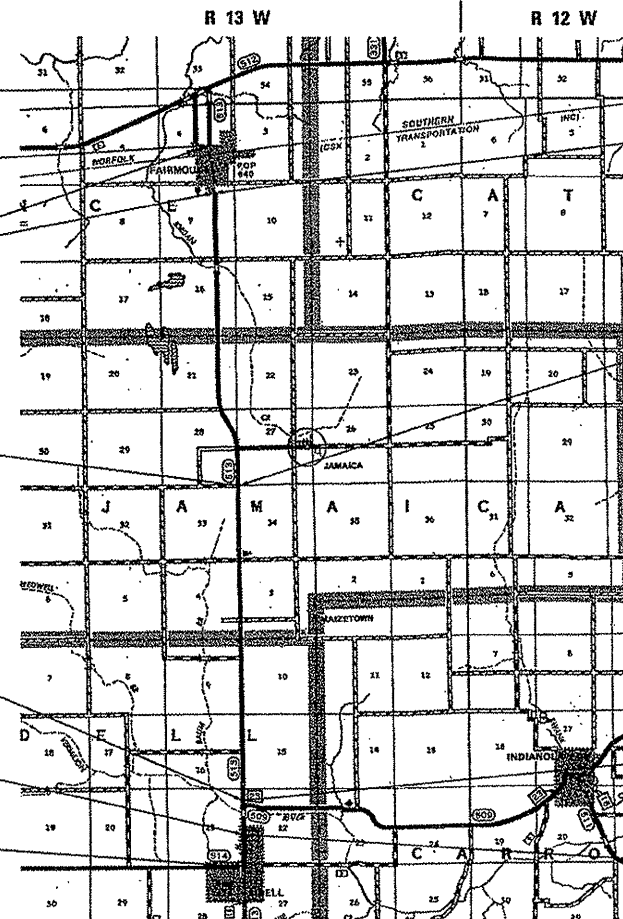
SECTION 58 ENDS  
STA. 482+47.45

SECTION 54 BEGINS  
STA. 0+00.00

SECTION 54 ENDS  
STA. 216+00.00

SECTION 0-1-15D ENDS  
STA. 19+00.00

SECTION 0-1-15D BEGINS  
STA. -1+00.00



GROSS LENGTH = 55,070.40 FT. = 10.430 MILES  
NET LENGTH = 53,903.45 FT. = 10.038 MILES

STATE OF ILLINOIS  
DEPARTMENT OF TRANSPORTATION  
DIVISION OF HIGHWAYS

SUBMITTED 2/27 20 09  
Joseph K. Goussier  
DEPUTY DIRECTOR OF HIGHWAYS, REGION ENGINEER

March 13, 20 09  
Charles G. Ingersoll  
ENGINEER OF DESIGN AND ENVIRONMENT

March 13, 20 09  
Christene M. Reed  
DIRECTOR OF HIGHWAYS, CHIEF ENGINEER

PRINTED BY THE AUTHORITY  
OF THE STATE OF ILLINOIS

**INDEX OF SHEETS**

<b>DESCRIPTION</b>	<b>SHEET NUMBER</b>
COVER SHEET	1
INDEX OF SHEETS/HIGHWAY STANDARDS/GENERAL NOTES	2
SUMMARY OF QUANTITIES	3
EXISTING TYPICAL CROSS SECTIONS	4-6
PATCHING SCHEDULE	7-13

**HIGHWAY STANDARDS**

<b>STANDARD NO.</b>	<b>DESCRIPTION</b>
000001-05	STANDARD SYMBOLS, ABBREVIATIONS AND PATTERNS
001006	DECIMAL OF AN INCH AND OF A FOOT
442201-03	CLASS C AND D PATCHES
701006-03	OFF-RD OPERATIONS, 2L, 2W, MORE THAN 4.5 M (15') AWAY
701001-02	OFF-RD OPERATIONS, 2L, 2W, 4.5 M (15') TO 600 MM (24") FROM PAVEMENT EDGE
701201-03	LANE CLOSURE, 2L, 2W, DAY ONLY, FOR SPEEDS >45 MPH
701301-03	LANE CLOSURE, 2L, 2W, SHORT TIME OPERATIONS
701336-05	LANE CLOSURE, 2L, 2W, WORK AREAS IN SERIES FOR SPEEDS > 45MPH
701901-01	TRAFFIC CONTROL DEVICES

**GENERAL NOTES**

G.N.-100  
ENGLISH UNITS OF MEASUREMENT SHALL GOVERN OVER AND SUPERSEDE ANY METRIC UNITS SHOWN IN THIS CONTRACT. WHERE INCLUDED, METRIC UNITS ARE FOR INFORMATION ONLY.

G.N.-442B -- PATCHING SCHEDULES  
THE PATCHING SCHEDULES INCLUDED IN THE PLANS REPRESENT THE BEST INFORMATION AVAILABLE AT THE TIME OF COMPLETION OF THE PLANS FOR LETTING. VARIATIONS IN LOCATION AND SIZES OF BOTH FULL-DEPTH AND PARTIAL-DEPTH PATCHES MAY OCCUR.

G.N.-667  
THE RESIDENT ENGINEER SHALL CONTACT THE PROGRAM DEVELOPMENT CHIEF OF SURVEYS PRIOR TO THE PRE-CONSTRUCTION CONFERENCE FOR INSTRUCTION AS TO SETTING OF TEMPORARY OR PERMANENT TIES FOR CENTERLINE ALIGNMENT CONTROL SURVEY MARKERS (PC'S, PT'S, AND PI'S). PROJECT IMPLEMENTATION PERSONNEL WILL BE RESPONSIBLE FOR SETTING THESE MARKERS.

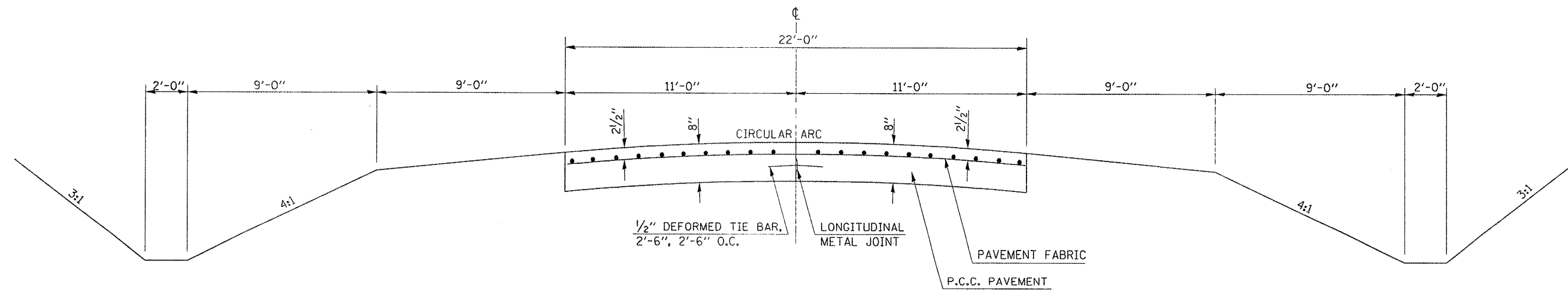
G.N.-1004.01  
COARSE AGGREGATE GRADATION CA-10 MAY BE USED WHENEVER COARSE AGGREGATE CA-6 IS SPECIFIED IN THE STANDARD SPECIFICATIONS.

FILE NAME : c:\pwork\pwork\craigre\d8120163\d57071-sh1-gennote.dgn	USER NAME : craigre	DESIGNED -	REVISED -	<b>STATE OF ILLINOIS DEPARTMENT OF TRANSPORTATION</b>	<b>INDEX OF SHEETS/HIGHWAY STANDARDS/GENERAL NOTES</b>	F.A.S. RTE.	SECTION	COUNTY	TOTAL SHEETS	SHEET NO.	
PLOT SCALE : 40.0000' / IN.	CHECKED -	REVISED -	513			(48,54,55,0-1-150,58)-2	VERMILION	13	2		
PLOT DATE : 2/27/2009	DATE -	REVISED -	CONTRACT NO. 70771			ILLINOIS FED. AID PROJECT					
						SCALE:	SHEET NO.	OF	SHEETS	STA.	TO STA.



### EXISTING TYPICAL CROSS SECTION

STATION 0+00 TO STATION 43+00 (SECTION 48)  
 STATION 0+00 TO STATION 436+94 (SECTION 54, 55)  
 STATION 456+94 TO STATION 482+47 (SECTION 58)



FILE NAME : c:\pwork\pwork\craig\0120163\d570	USER NAME : craig	DESIGNED -	REVISED -
71-shr-typical.dgn		DRAWN -	REVISED -
PLOT SCALE = 40,0000 ' / IN.		CHECKED -	REVISED -
PLOT DATE = 2/27/2009		DATE -	REVISED -

**STATE OF ILLINOIS  
 DEPARTMENT OF TRANSPORTATION**

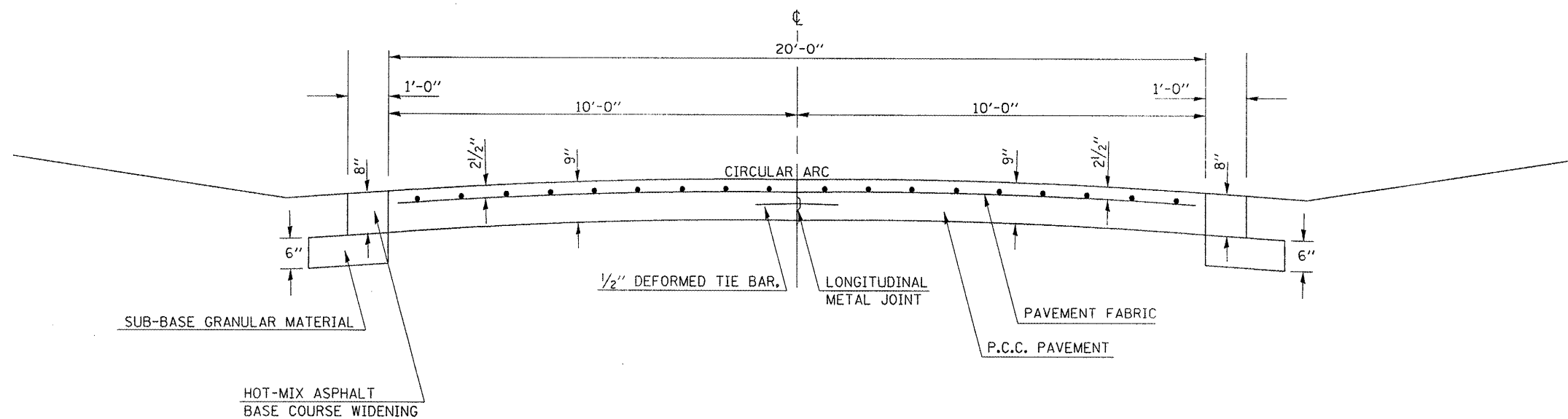
**EXISTING TYPICAL SECTION**

SCALE: SHEET NO. OF SHEETS STA. TO STA.

F.A.S. RTE.	SECTION	COUNTY	TOTAL SHEETS	SHEET NO.
613	(48,54,55,0-1-150,56)1-2	VERMILION	13	4
CONTRACT NO. 70771				
ILLINOIS FED. AID PROJECT				

### EXISTING TYPICAL CROSS SECTION

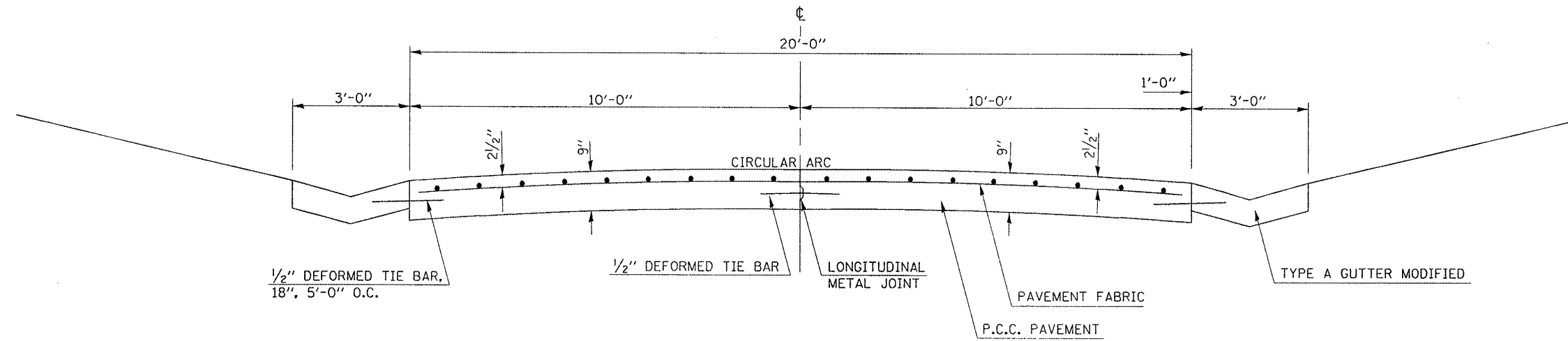
LT. STATION 14+43 TO STATION 19+00  
 RT. STATION 15+03.5 TO STATION 19+00



FILE NAME =	USER NAME = craigre	DESIGNED -	REVISED -	<b>STATE OF ILLINOIS DEPARTMENT OF TRANSPORTATION</b>	<b>EXISTING TYPICAL SECTION</b>	F.A.S. RTE.	SECTION	COUNTY	TOTAL SHEETS	SHEET NO.	
c:\pwork\pwork\craigre\d0120163\d570	71-sh-typical.dgn	DRAWN -	REVISED -			513	(48,54,55,0-1-150,58)-2	VERMILION	13	5	
	PLOT SCALE = 40,0000 1/2 IN.	CHECKED -	REVISED -			CONTRACT NO. 70771					
	PLOT DATE = 2/27/2009	DATE -	REVISED -			ILLINOIS FED. AID PROJECT					
					SCALE:	SHEET NO.	OF	SHEETS	STA.	TO STA.	

### EXISTING TYPICAL CROSS SECTION

STATION -1+00 TO STATION 14+43 (SECTION 0-1-15D)  
 RT. STATION 14+43 TO STATION 16+03.5 (SECTION 0-1-15D)



FILE NAME : c:\pwork\puidot\craig\8120163\d570	USER NAME : craig	DESIGNED -	REVISED -
	71-shr-typical.dgn	DRAWN -	REVISED -
	PLOT SCALE = 10.0000 / IN.	CHECKED -	REVISED -
	PLOT DATE = 2/27/2001	DATE -	REVISED -

STATE OF ILLINOIS  
 DEPARTMENT OF TRANSPORTATION

EXISTING TYPICAL SECTION

SCALE: SHEET NO. OF SHEETS STA. TO STA.

F.A.S. RTE.	SECTION	COUNTY	TOTAL SHEETS	SHEET NO.
513	(48,54,55,0-1-150,58)1-2	VERMILION	13	6
ILLINOIS FED. AID PROJECT			CONTRACT NO. 70771	



**SCHEDULE OF QUANTITIES**  
**PATCHES WITHIN SECTION 55 LIMITS**

STATION	DIRECTION	LENGTH	WIDTH	PATCH AREA		
				Type II	Type III	Type IV
				8.0"	8.0"	8.0"
				442001329	44201333	44201335
		(FOOT)	(FOOT)	(SQ YD)	(SQ YD)	(SQ YD)
391+39	SB	16	11	0.0	19.6	0.0
390+39	NB	20	11	0.0	24.5	0.0
390+39	SB	20	11	0.0	24.5	0.0
389+39	NB	8	11	9.8	0.0	0.0
389+39	SB	8	11	9.8	0.0	0.0
388+39	NB	14	11	0.0	17.2	0.0
388+39	SB	14	11	0.0	17.2	0.0
387+38	NB	10	11	12.3	0.0	0.0
387+38	SB	10	11	12.3	0.0	0.0
386+38	NB	25	11	0.0	0.0	30.6
386+38	SB	25	11	0.0	0.0	30.6
385+35	NB	12	11	14.7	0.0	0.0
385+35	SB	16	11	0.0	19.6	0.0
384+36	NB	12	11	14.7	0.0	0.0
384+36	SB	16	11	0.0	19.6	0.0
383+35	NB	16	11	0.0	19.6	0.0
383+35	SB	16	11	0.0	19.6	0.0
382+33	NB	20	11	0.0	24.5	0.0
382+33	SB	20	11	0.0	24.5	0.0
381+34	NB	16	11	0.0	19.6	0.0
381+34	SB	30	11	0.0	0.0	36.7
380+32	NB	8	11	9.8	0.0	0.0
380+32	SB	8	11	9.8	0.0	0.0
379+35	NB	10	11	12.3	0.0	0.0
379+35	SB	12	11	14.7	0.0	0.0
378+34	NB	8	11	9.8	0.0	0.0
378+34	SB	8	11	9.8	0.0	0.0
377+34	NB	10	11	12.3	0.0	0.0
377+34	SB	10	11	12.3	0.0	0.0
376+28	NB	25	11	0.0	0.0	30.6
376+28	SB	25	11	0.0	0.0	30.6
375+57	NB	10	11	12.3	0.0	0.0
375+45	SB	8	11	9.8	0.0	0.0
375+30	NB	20	11	0.0	24.5	0.0
375+30	SB	20	11	0.0	24.5	0.0
374+30	NB	14	11	0.0	17.2	0.0
374+30	SB	14	11	0.0	17.2	0.0
373+30	NB	25	11	0.0	0.0	30.6
373+30	SB	30	11	0.0	0.0	36.7
372+29	NB	14	11	0.0	17.2	0.0
372+29	SB	16	11	0.0	19.6	0.0
371+31	NB	8	11	9.8	0.0	0.0
371+31	SB	8	11	9.8	0.0	0.0
370+30	NB	8	11	9.8	0.0	0.0
370+30	SB	8	11	9.8	0.0	0.0

COLUMN TOTAL                      225.7            370.2            226.4

STATION	DIRECTION	LENGTH	WIDTH	PATCH AREA		
				Type II	Type III	Type IV
				8.0"	8.0"	8.0"
				442001329	44201333	44201335
		(FOOT)	(FOOT)	(SQ YD)	(SQ YD)	(SQ YD)
369+30	NB	8	11	9.8	0.0	0.0
369+30	SB	8	11	9.8	0.0	0.0
368+27	NB	16	11	0.0	19.6	0.0
368+27	SB	16	11	0.0	19.6	0.0
367+30	NB	20	11	0.0	24.5	0.0
367+30	SB	20	11	0.0	24.5	0.0
366+28	NB	8	11	9.8	0.0	0.0
366+28	SB	8	11	9.8	0.0	0.0
365+27	NB	10	11	12.3	0.0	0.0
365+27	SB	10	11	12.3	0.0	0.0
364+30	NB	8	11	9.8	0.0	0.0
364+30	SB	8	11	9.8	0.0	0.0
363+28	NB	12	11	14.7	0.0	0.0
363+28	SB	20	11	0.0	24.5	0.0
362+29	NB	12	11	14.7	0.0	0.0
362+29	SB	25	11	0.0	0.0	30.6
361+29	NB	8	11	9.8	0.0	0.0
361+29	SB	8	11	9.8	0.0	0.0
360+29	NB	16	11	0.0	19.6	0.0
360+29	SB	16	11	0.0	19.6	0.0
359+28	NB	8	11	9.8	0.0	0.0
359+28	SB	8	11	9.8	0.0	0.0
358+27	NB	8	11	9.8	0.0	0.0
358+27	SB	8	11	9.8	0.0	0.0
357+27	NB	6	11	7.4	0.0	0.0
357+27	SB	6	11	7.4	0.0	0.0
356+27	NB	8	11	9.8	0.0	0.0
356+27	SB	8	11	9.8	0.0	0.0
355+27	NB	10	11	12.3	0.0	0.0
355+27	SB	12	11	14.7	0.0	0.0
354+27	NB	10	11	12.3	0.0	0.0
354+27	SB	10	11	12.3	0.0	0.0
353+27	NB	10	11	12.3	0.0	0.0
353+27	SB	10	11	12.3	0.0	0.0
352+28	NB	8	11	9.8	0.0	0.0
352+28	SB	8	11	9.8	0.0	0.0
351+25	NB	8	11	9.8	0.0	0.0
351+25	SB	8	11	9.8	0.0	0.0
350+25	NB	8	11	9.8	0.0	0.0
350+25	SB	8	11	9.8	0.0	0.0
349+26	NB	10	11	12.3	0.0	0.0
349+26	SB	10	11	12.3	0.0	0.0
348+26	NB	8	11	9.8	0.0	0.0
348+26	SB	8	11	9.8	0.0	0.0
347+25	NB	10	11	12.3	0.0	0.0

COLUMN TOTAL                      397.5            151.9            30.6

PAGE TOTAL                              623.2            522.1            257.0



**SCHEDULE OF QUANTITIES**

**PATCHES WITHIN SECTION 55 LIMITS**

STATION	DIRECTION	LENGTH	WIDTH	PATCH AREA		
				Type II	Type III	Type IV
				8.0"	8.0"	8.0"
				442001329	44201333	44201335
		(FOOT)	(FOOT)	(SQ YD)	(SQ YD)	(SQ YD)
347+25	SB	10	11	12.3	0.0	0.0
346+25	NB	10	11	12.3	0.0	0.0
346+25	SB	10	11	12.3	0.0	0.0
344+24	NB	10	11	12.3	0.0	0.0
344+24	SB	10	11	12.3	0.0	0.0
343+24	NB	12	11	14.7	0.0	0.0
343+24	SB	20	11	0.0	24.5	0.0
343+02	NB	10	11	12.3	0.0	0.0
343+02	SB	10	11	12.3	0.0	0.0
342+24	NB	20	11	0.0	24.5	0.0
342+24	SB	40	11	0.0	0.0	48.9
341+25	NB	8	11	9.8	0.0	0.0
341+25	SB	8	11	9.8	0.0	0.0
340+24	NB	12	11	14.7	0.0	0.0
340+24	SB	12	11	14.7	0.0	0.0
339+20	NB	10	11	12.3	0.0	0.0
339+20	SB	10	11	12.3	0.0	0.0
338+20	NB	10	11	12.3	0.0	0.0
338+20	SB	10	11	12.3	0.0	0.0
337+18	NB	30	11	0.0	0.0	36.7
337+18	SB	30	11	0.0	0.0	36.7
336+20	NB	8	11	9.8	0.0	0.0
336+20	SB	8	11	9.8	0.0	0.0
335+20	NB	8	11	9.8	0.0	0.0
335+20	SB	8	11	9.8	0.0	0.0
334+20	NB	8	11	9.8	0.0	0.0
334+20	SB	8	11	9.8	0.0	0.0
333+20	NB	8	11	9.8	0.0	0.0
333+20	SB	8	11	9.8	0.0	0.0
332+20	NB	8	11	9.8	0.0	0.0
332+20	SB	8	11	9.8	0.0	0.0
331+20	NB	8	11	9.8	0.0	0.0
331+20	SB	8	11	9.8	0.0	0.0
330+20	NB	8	11	9.8	0.0	0.0
330+20	SB	8	11	9.8	0.0	0.0
329+20	NB	20	11	0.0	24.5	0.0
329+20	SB	20	11	0.0	24.5	0.0
328+20	NB	8	11	9.8	0.0	0.0
328+20	SB	8	11	9.8	0.0	0.0
327+20	NB	8	11	9.8	0.0	0.0
327+20	SB	8	11	9.8	0.0	0.0
326+20	NB	8	11	9.8	0.0	0.0
326+20	SB	8	11	9.8	0.0	0.0
325+20	NB	8	11	9.8	0.0	0.0

COLUMN TOTAL                      404.8      98.0      122.3

STATION	DIRECTION	LENGTH	WIDTH	PATCH AREA		
				Type II	Type III	Type IV
				8.0"	8.0"	8.0"
				442001329	44201333	44201335
		(FOOT)	(FOOT)	(SQ YD)	(SQ YD)	(SQ YD)
325+20	SB	8	11	9.8	0.0	0.0
324+20	NB	8	11	9.8	0.0	0.0
324+20	SB	8	11	9.8	0.0	0.0
323+18	NB	8	11	9.8	0.0	0.0
323+18	SB	8	11	9.8	0.0	0.0
322+19	NB	8	11	9.8	0.0	0.0
322+19	SB	8	11	9.8	0.0	0.0
321+17	NB	8	11	9.8	0.0	0.0
321+17	SB	8	11	9.8	0.0	0.0
320+17	NB	24	11	0.0	0.0	29.4
320+17	SB	24	11	0.0	0.0	29.4
319+15	NB	24	11	0.0	0.0	29.4
319+15	SB	24	11	0.0	0.0	29.4
318+15	NB	20	11	0.0	24.5	0.0
318+15	SB	20	11	0.0	24.5	0.0
317+61	NB	8	11	9.8	0.0	0.0
317+61	SB	8	11	9.8	0.0	0.0
317+15	NB	8	11	9.8	0.0	0.0
317+15	SB	8	11	9.8	0.0	0.0
316+15	NB	15	11	0.0	18.4	0.0
316+15	SB	15	11	0.0	18.4	0.0
315+15	NB	8	11	9.8	0.0	0.0
315+15	SB	8	11	9.8	0.0	0.0
314+15	NB	8	11	9.8	0.0	0.0
314+15	SB	8	11	9.8	0.0	0.0
313+14	NB	12	11	14.7	0.0	0.0
313+14	SB	12	11	14.7	0.0	0.0
312+19	NB	10	11	12.3	0.0	0.0
312+19	SB	10	11	12.3	0.0	0.0
311+23	NB	15	11	0.0	18.4	0.0
311+23	SB	40	11	0.0	0.0	48.9
310+22	NB	8	11	9.8	0.0	0.0
310+22	SB	8	11	9.8	0.0	0.0
309+62	NB	6	11	7.4	0.0	0.0
309+62	SB	6	11	7.4	0.0	0.0
309+22	NB	8	11	9.8	0.0	0.0
309+22	SB	8	11	9.8	0.0	0.0
308+22	NB	10	11	12.3	0.0	0.0
308+22	SB	10	11	12.3	0.0	0.0
307+22	NB	8	11	9.8	0.0	0.0
307+22	SB	8	11	9.8	0.0	0.0
306+21	NB	15	11	0.0	18.4	0.0
306+21	SB	15	11	0.0	18.4	0.0
305+22	NB	8	11	9.8	0.0	0.0

COLUMN TOTAL                      328.6      141.0      166.5

PAGE TOTAL                              733.4      239.0      288.8

FILE NAME : c:\p\work\p\dot\craig\8120163\057071-shr-schedule.dgn	USER NAME : craig	DESIGNED : -	REVISED : -	<b>STATE OF ILLINOIS DEPARTMENT OF TRANSPORTATION</b>	<b>SCHEDULE OF QUANTITIES</b>	F.A.S. RTE. 513	SECTION (48,54,55,0-1-150,58)-2	COUNTY VERMILION	TOTAL SHEETS 13	SHEET NO. 9		
PLOT SCALE : 40.0000 1/2" = 1'	CHECKED : -	REVISED : -	SCALE:			SHEET NO. OF SHEETS	STA. TO STA.	CONTRACT NO. 70771				
PLOT DATE : 2/27/2009	DATE : -	REVISED : -	ILLINOIS FED. AID PROJECT									

**SCHEDULE OF QUANTITIES**  
**PATCHES WITHIN SECTION 55 LIMITS**

STATION	DIRECTION	LENGTH	WIDTH	PATCH AREA		
				Type II	Type III	Type IV
				8.0"	8.0"	8.0"
				442001329	44201333	44201335
		(FOOT)	(FOOT)	(SQ YD)	(SQ YD)	(SQ YD)
305+22	SB	8	11	9.8	0.0	0.0
304+22	NB	10	11	12.3	0.0	0.0
304+22	SB	10	11	12.3	0.0	0.0
269+05	SB	20	11	0.0	24.5	0.0
268+06	NB	20	11	0.0	24.5	0.0
268+06	SB	20	11	0.0	24.5	0.0
267+05	NB	15	11	0.0	18.4	0.0
267+05	SB	15	11	0.0	18.4	0.0
266+05	NB	15	11	0.0	18.4	0.0
266+05	SB	40	11	0.0	0.0	48.9
265+47	NB	10	11	12.3	0.0	0.0
265+47	SB	10	11	12.3	0.0	0.0
265+04	NB	20	11	0.0	24.5	0.0
265+04	SB	20	11	0.0	24.5	0.0
264+04	NB	10	11	12.3	0.0	0.0
264+04	SB	10	11	12.3	0.0	0.0
263+43	NB	100	11	0.0	0.0	122.3
263+43	SB	100	11	0.0	0.0	122.3
262+04	NB	12	11	14.7	0.0	0.0
262+04	SB	12	11	14.7	0.0	0.0
261+03	NB	14	11	0.0	17.2	0.0
261+03	SB	14	11	0.0	17.2	0.0
260+23	NB	50	11	0.0	0.0	61.2
260+04	SB	30	11	0.0	0.0	36.7
259+02	NB	12	11	14.7	0.0	0.0
259+02	SB	12	11	14.7	0.0	0.0
258+03	NB	14	11	0.0	17.2	0.0
258+03	SB	14	11	0.0	17.2	0.0
257+54	NB	12	11	14.7	0.0	0.0
257+54	SB	8	11	9.8	0.0	0.0
257+02	NB	20	11	0.0	24.5	0.0
257+02	SB	20	11	0.0	24.5	0.0
256+64	SB	6	11	7.4	0.0	0.0
256+39	NB	6	11	7.4	0.0	0.0
256+02	NB	15	11	0.0	18.4	0.0
256+02	SB	15	11	0.0	18.4	0.0
255+01	NB	40	11	0.0	0.0	48.9
255+01	SB	80	11	0.0	0.0	97.8
254+29	SB	8	11	9.8	0.0	0.0
254+01	NB	12	11	14.7	0.0	0.0
254+01	SB	12	11	14.7	0.0	0.0
253+78	SB	10	11	12.3	0.0	0.0
253+00	NB	10	11	12.3	0.0	0.0

COLUMN TOTAL                      245.5      332.3      538.1

STATION	DIRECTION	LENGTH	WIDTH	PATCH AREA		
				Type II	Type III	Type IV
				8.0"	8.0"	8.0"
				442001329	44201333	44201335
		(FOOT)	(FOOT)	(SQ YD)	(SQ YD)	(SQ YD)
253+00	SB	10	11	12.3	0.0	0.0
251+99	NB	11	11	13.5	0.0	0.0
251+99	SB	11	11	13.5	0.0	0.0
250+98	NB	10	11	12.3	0.0	0.0
250+98	SB	10	11	12.3	0.0	0.0
249+99	NB	30	11	0.0	0.0	36.7
249+99	SB	15	11	0.0	18.4	0.0
248+89	NB	30	11	0.0	0.0	36.7
248+89	SB	30	11	0.0	0.0	36.7
248+18	NB	40	11	0.0	0.0	48.9
248+18	SB	40	11	0.0	0.0	48.9
247+10	NB	80	11	0.0	0.0	97.8
247+10	SB	50	11	0.0	0.0	61.2
246+07	NB	15	11	0.0	18.4	0.0
246+07	SB	15	11	0.0	18.4	0.0
245+05	NB	50	11	0.0	0.0	61.2
245+05	SB	20	11	0.0	24.5	0.0
244+05	NB	10	11	12.3	0.0	0.0
244+05	SB	10	11	12.3	0.0	0.0
243+46	NB	10	11	12.3	0.0	0.0
243+46	SB	10	11	12.3	0.0	0.0
243+06	NB	12	11	14.7	0.0	0.0
243+06	SB	12	11	14.7	0.0	0.0
242+05	NB	10	11	12.3	0.0	0.0
242+05	SB	20	11	0.0	24.5	0.0
241+04	NB	15	11	0.0	18.4	0.0
240+03	SB	10	11	12.3	0.0	0.0
239+03	NB	10	11	12.3	0.0	0.0
239+03	SB	10	11	12.3	0.0	0.0
238+01	NB	30	11	0.0	0.0	36.7
238+01	SB	30	11	0.0	0.0	36.7
237+05	NB	10	11	12.3	0.0	0.0
237+05	SB	10	11	12.3	0.0	0.0
236+04	NB	10	11	12.3	0.0	0.0
236+04	SB	10	11	12.3	0.0	0.0
235+51	SB	8	11	9.8	0.0	0.0
234+03	NB	12	11	14.7	0.0	0.0
234+03	SB	12	11	14.7	0.0	0.0
233+02	NB	10	11	12.3	0.0	0.0
233+02	SB	10	11	12.3	0.0	0.0
232+22	NB	8	11	9.8	0.0	0.0
232+01	NB	8	11	9.8	0.0	0.0
232+01	SB	8	11	9.8	0.0	0.0

COLUMN TOTAL                      334.1      122.6      501.5

PAGE TOTAL                              579.6      454.9      1039.6

**SCHEDULE OF QUANTITIES**  
**PATCHES WITHIN SECTION 55 LIMITS**

STATION	DIRECTION	LENGTH	WIDTH	PATCH AREA		
				Type II	Type III	Type IV
				8.0"	8.0"	8.0"
				442001329	44201333	44201335
		(FOOT)	(FOOT)	(SQ YD)	(SQ YD)	(SQ YD)
231+00	NB	10	11	12.3	0.0	0.0
231+00	SB	25	11	0.0	0.0	30.6
229+99	NB	20	11	0.0	24.5	0.0
229+99	SB	20	11	0.0	24.5	0.0
229+69	NB	6	11	7.4	0.0	0.0
229+69	SB	6	11	7.4	0.0	0.0
228+99	NB	8	11	9.8	0.0	0.0
228+99	SB	8	11	9.8	0.0	0.0
228+03	NB	10	11	12.3	0.0	0.0
228+03	SB	10	11	12.3	0.0	0.0
227+02	NB	15	11	0.0	18.4	0.0
227+02	SB	15	11	0.0	18.4	0.0
226+03	NB	20	11	0.0	24.5	0.0
226+03	SB	20	11	0.0	24.5	0.0
225+02	NB	30	11	0.0	0.0	36.7
225+02	SB	30	11	0.0	0.0	36.7

COLUMN TOTAL                      71.3            134.8            104.0

STATION	DIRECTION	LENGTH	WIDTH	PATCH AREA		
				Type II	Type III	Type IV
				8.0"	8.0"	8.0"
				442001329	44201333	44201335
		(FOOT)	(FOOT)	(SQ YD)	(SQ YD)	(SQ YD)
224+01	NB	60	11	0.0	0.0	73.4
224+01	SB	30	11	0.0	0.0	36.7
223+00	NB	20	11	0.0	24.5	0.0
223+00	SB	20	11	0.0	24.5	0.0
222+00	NB	20	11	0.0	24.5	0.0
222+00	SB	20	11	0.0	24.5	0.0
220+99	NB	10	11	12.3	0.0	0.0
220+99	SB	10	11	12.3	0.0	0.0
220+00	NB	15	11	0.0	18.4	0.0
220+00	SB	15	11	0.0	18.4	0.0
219+00	NB	60	11	0.0	0.0	73.4
219+00	SB	60	11	0.0	0.0	73.4
217+99	NB	10	11	12.3	0.0	0.0
217+99	SB	10	11	12.3	0.0	0.0
216+98	NB	10	11	12.3	0.0	0.0
216+98	SB	10	11	12.3	0.0	0.0

COLUMN TOTAL                      73.8            134.8            256.9

PAGE TOTAL                            145.1            269.6            360.9

### SCHEDULE OF QUANTITIES

#### PATCHES WITHIN SECTION 54 LIMITS

STATION	DIRECTION	LENGTH	WIDTH	PATCH AREA		
				Type II	Type III	Type IV
				8.0"	8.0"	8.0"
				442001329	44201333	44201335
		(FOOT)	(FOOT)	(SQ YD)	(SQ YD)	(SQ YD)
215+97.	NB	12	11	14.7	0.0	0.0
215+97.	SB	12	11	14.7	0.0	0.0
214+98.	NB	16	11	0.0	19.6	0.0
214+98.	SB	16	11	0.0	19.6	0.0
213+98.	NB	20	11	0.0	24.5	0.0
213+98.	SB	20	11	0.0	24.5	0.0
212+93.	NB	18	11	0.0	22.0	0.0
212+93.	SB	18	11	0.0	22.0	0.0
211+98.	NB	15	11	0.0	18.4	0.0
211+98.	SB	15	11	0.0	18.4	0.0
210+98.	NB	12	11	14.7	0.0	0.0
210+98.	SB	12	11	14.7	0.0	0.0
209+97.	NB	10	11	12.3	0.0	0.0
209+97.	SB	10	11	12.3	0.0	0.0
208+96.	NB	10	11	12.3	0.0	0.0
208+96.	SB	10	11	12.3	0.0	0.0
207+96.	NB	10	11	12.3	0.0	0.0
207+96.	SB	10	11	12.3	0.0	0.0
206+96.	NB	14	11	0.0	17.2	0.0
206+96.	SB	14	11	0.0	17.2	0.0
205+95.	NB	10	11	12.3	0.0	0.0
205+95.	SB	10	11	12.3	0.0	0.0
204+95.	NB	10	11	12.3	0.0	0.0
204+95.	SB	10	11	12.3	0.0	0.0
203+95.	NB	10	11	12.3	0.0	0.0
203+95.	SB	10	11	12.3	0.0	0.0
202+95.	NB	10	11	12.3	0.0	0.0
202+95.	SB	10	11	12.3	0.0	0.0
201+93.	NB	12	11	14.7	0.0	0.0
201+93.	SB	12	11	14.7	0.0	0.0
200+92.	NB	8	11	9.8	0.0	0.0
200+92.	SB	8	11	9.8	0.0	0.0
199+91.	NB	12	11	14.7	0.0	0.0
199+91.	SB	12	11	14.7	0.0	0.0
198+91.	NB	10	11	12.3	0.0	0.0
198+91.	SB	10	11	12.3	0.0	0.0
197+91.	NB	8	11	9.8	0.0	0.0
197+91.	SB	8	11	9.8	0.0	0.0

COLUMN TOTAL                      353.6      203.4      0.0

STATION	DIRECTION	LENGTH	WIDTH	PATCH AREA		
				Type II	Type III	Type IV
				8.0"	8.0"	8.0"
				442001329	44201333	44201335
		(FOOT)	(FOOT)	(SQ YD)	(SQ YD)	(SQ YD)
196+90.	NB	10	11	12.3	0.0	0.0
196+90.	SB	10	11	12.3	0.0	0.0
195+89.	NB	16	11	0.0	19.6	0.0
195+89.	SB	16	11	0.0	19.6	0.0
194+89.	NB	10	11	12.3	0.0	0.0
194+89.	SB	10	11	12.3	0.0	0.0
193+90.	NB	15	11	0.0	18.4	0.0
193+90.	SB	15	11	0.0	18.4	0.0
192+88.	NB	12	11	14.7	0.0	0.0
192+88.	SB	12	11	14.7	0.0	0.0
191+93.	NB	8	11	9.8	0.0	0.0
191+93.	SB	8	11	9.8	0.0	0.0
190+93.	NB	30	11	0.0	0.0	36.7
190+93.	SB	30	11	0.0	0.0	36.7
190+19.	NB	12	11	14.7	0.0	0.0
190+19.	SB	12	11	14.7	0.0	0.0
189+57.	NB	12	11	14.7	0.0	0.0
189+57.	SB	6	11	7.4	0.0	0.0
189+18.	NB	20	11	0.0	24.5	0.0
189+18.	SB	20	11	0.0	24.5	0.0
188+94.	NB	16	11	0.0	19.6	0.0
188+94.	SB	16	11	0.0	19.6	0.0
187+97.	NB	12	11	14.7	0.0	0.0
187+97.	SB	12	11	14.7	0.0	0.0
186+96.	NB	10	11	12.3	0.0	0.0
186+96.	SB	10	11	12.3	0.0	0.0
185+93.	NB	10	11	12.3	0.0	0.0
185+93.	SB	10	11	12.3	0.0	0.0
184+93.	NB	10	11	12.3	0.0	0.0
184+93.	SB	10	11	12.3	0.0	0.0
183+92.	NB	10	11	12.3	0.0	0.0
183+92.	SB	10	11	12.3	0.0	0.0
182+90.	NB	12	11	14.7	0.0	0.0
182+90.	SB	12	11	14.7	0.0	0.0
181+85.	NB	20	11	0.0	24.5	0.0
181+85.	SB	20	11	0.0	24.5	0.0
180+89.	NB	15	11	0.0	18.4	0.0
180+89.	SB	15	11	0.0	18.4	0.0

COLUMN TOTAL                      306.9      250      73.4

PAGE TOTAL                              660.5      453.4      73.4

**SCHEDULE OF QUANTITIES**  
**PATCHES WITHIN SECTION 48 LIMITS**

STATION	DIRECTION	LENGTH	WIDTH	PATCH AREA		
				Type II	Type III	Type IV
				8.0"	8.0"	8.0"
				442001329	44201333	44201335
		(FOOT)	(FOOT)	(SQ YD)	(SQ YD)	(SQ YD)
4+90.	NB	8	11	9.8	0.0	0.0
4+90.	SB	8	11	9.8	0.0	0.0
5+39.	NB	10	11	12.3	0.0	0.0
5+39.	SB	10	11	12.3	0.0	0.0
5+61.	NB	10	11	12.3	0.0	0.0
5+61.	SB	6	11	7.4	0.0	0.0
5+88.	NB	8	11	9.8	0.0	0.0
5+88.	SB	6	11	7.4	0.0	0.0
6+16.	NB	18	11	0.0	22.0	0.0
6+16.	SB	18	11	0.0	22.0	0.0
6+87.	NB	18	11	0.0	22.0	0.0
6+87.	SB	18	11	0.0	22.0	0.0
7+87.	NB	16	11	0.0	19.6	0.0
7+87.	SB	16	11	0.0	19.6	0.0
8+86.	NB	16	11	0.0	19.6	0.0
8+86.	SB	16	11	0.0	19.6	0.0
9+83.	NB	20	11	0.0	24.5	0.0
9+83.	SB	20	11	0.0	24.5	0.0
10+84.	NB	20	11	0.0	24.5	0.0
10+84.	SB	20	11	0.0	24.5	0.0
11+84.	NB	20	11	0.0	24.5	0.0
11+84.	SB	20	11	0.0	24.5	0.0
12+86.	NB	20	11	0.0	24.5	0.0
12+86.	SB	20	11	0.0	24.5	0.0
13+88.	NB	20	11	0.0	24.5	0.0
13+88.	SB	20	11	0.0	24.5	0.0
14+85.	NB	20	11	0.0	24.5	0.0
14+85.	SB	20	11	0.0	24.5	0.0
15+86.	NB	20	11	0.0	24.5	0.0
15+86.	SB	20	11	0.0	24.5	0.0
16+50.	NB	8	11	9.8	0.0	0.0
16+50.	SB	8	11	9.8	0.0	0.0
16+86.	NB	16	11	0.0	19.6	0.0
16+86.	SB	16	11	0.0	19.6	0.0
17+87.	NB	14	11	0.0	17.2	0.0
17+87.	SB	14	11	0.0	17.2	0.0
18+88.	NB	18	11	0.0	22.0	0.0
18+88.	SB	18	11	0.0	22.0	0.0
19+89.	NB	18	11	0.0	22.0	0.0
19+89.	SB	18	11	0.0	22.0	0.0
20+86.	NB	18	11	0.0	22.0	0.0

COLUMN TOTAL                                      100.7      693.0      0.0

STATION	DIRECTION	LENGTH	WIDTH	PATCH AREA		
				Type II	Type III	Type IV
				8.0"	8.0"	8.0"
				442001329	44201333	44201335
		(FOOT)	(FOOT)	(SQ YD)	(SQ YD)	(SQ YD)
20+86.	SB	18	11	0.0	22.0	0.0
21+87.	NB	10	11	12.3	0.0	0.0
21+87.	SB	10	11	12.3	0.0	0.0
22+89.	NB	8	11	9.8	0.0	0.0
22+89.	SB	12	11	14.7	0.0	0.0
23+89.	NB	12	11	14.7	0.0	0.0
23+89.	SB	12	11	14.7	0.0	0.0
24+89.	NB	10	11	12.3	0.0	0.0
24+89.	SB	10	11	12.3	0.0	0.0
25+91.	NB	12	11	14.7	0.0	0.0
25+91.	SB	12	11	14.7	0.0	0.0
26+90.	NB	10	11	12.3	0.0	0.0
26+90.	SB	10	11	12.3	0.0	0.0
27+91.	NB	16	11	0.0	19.6	0.0
27+91.	SB	20	11	0.0	24.5	0.0
28+89.	NB	14	11	0.0	17.2	0.0
28+89.	SB	14	11	0.0	17.2	0.0
29+89.	NB	16	11	0.0	19.6	0.0
29+89.	SB	16	11	0.0	19.6	0.0
30+92.	NB	12	11	14.7	0.0	0.0
30+92.	SB	12	11	14.7	0.0	0.0
31+88.	NB	12	11	14.7	0.0	0.0
31+88.	SB	12	11	14.7	0.0	0.0
32+88.	NB	8	11	9.8	0.0	0.0
32+88.	SB	8	11	9.8	0.0	0.0
33+89.	NB	10	11	12.3	0.0	0.0
33+89.	SB	10	11	12.3	0.0	0.0
34+91.	NB	6	11	7.4	0.0	0.0
34+91.	SB	6	11	7.4	0.0	0.0
35+92.	NB	8	11	9.8	0.0	0.0
35+92.	SB	8	11	9.8	0.0	0.0
36+91.	NB	10	11	12.3	0.0	0.0
36+91.	SB	10	11	12.3	0.0	0.0
37+92.	NB	8	11	9.8	0.0	0.0
37+92.	SB	8	11	9.8	0.0	0.0
38+99.	NB	10	11	12.3	0.0	0.0
38+99.	SB	10	11	12.3	0.0	0.0
39+28.	NB	6	11	7.4	0.0	0.0
40+11.	NB	10	11	12.3	0.0	0.0
40+11.	SB	8	11	9.8	0.0	0.0

COLUMN TOTAL                                      392.8      139.7      0.0

PAGE TOTAL    493.5      832.7      0.0

GRAND TOTAL                                        3652.3      3462.8      2680.4