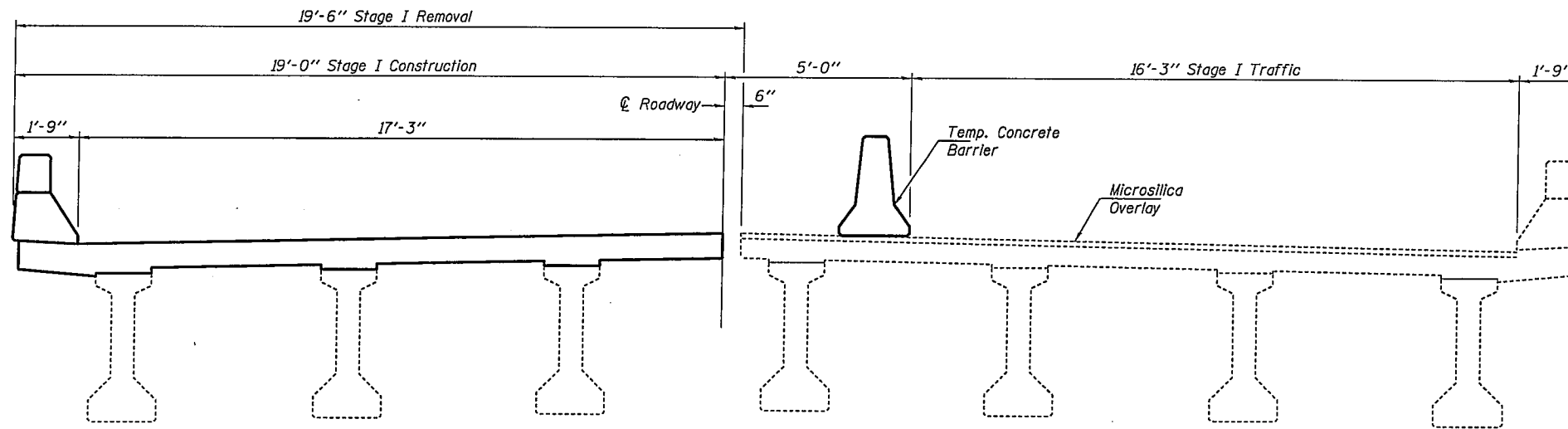
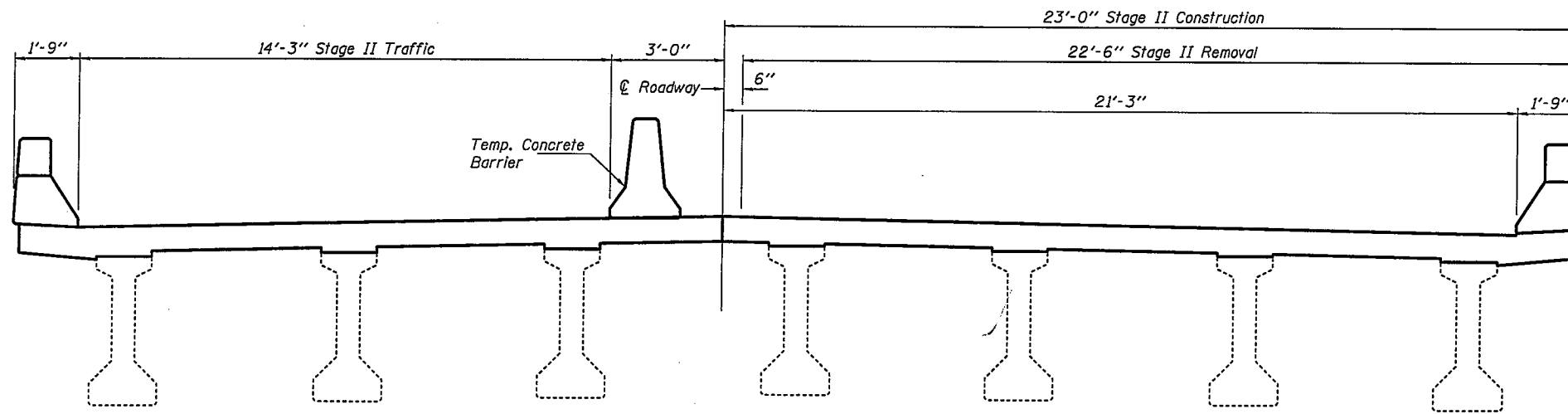


STATE OF ILLINOIS
DEPARTMENT OF TRANSPORTATION



STAGE I CONSTRUCTION

(NB looking North)
(SB looking South)



STAGE II CONSTRUCTION

(NB looking North)
(SB looking South)

DESIGNED	VHV
CHECKED	DAB
DRAWN	baliva
CHECKED	VHV DAB

FEBRUARY 9, 2009
EXAMINED *Carl Perry*
ENGINEER OF STRUCTURAL SERVICES
PASSED *Ralph E. Anderson*
ENGINEER OF BRIDGES AND STRUCTURES

STAGING
FAI 172 OVER BN RR
SN 001-0050 & 0051

SHEET NO. 2	F.A.I. RTE.	SECTION	COUNTY	TOTAL SHEETS	SHEET NO.
	172	(1-5)RS-1: (1-6)RS	ADAMS	108	102
8 SHEETS	CONTRACT NO. 72694				
FED. ROAD DIST. NO.		ILLINOIS FED. AID PROJECT			