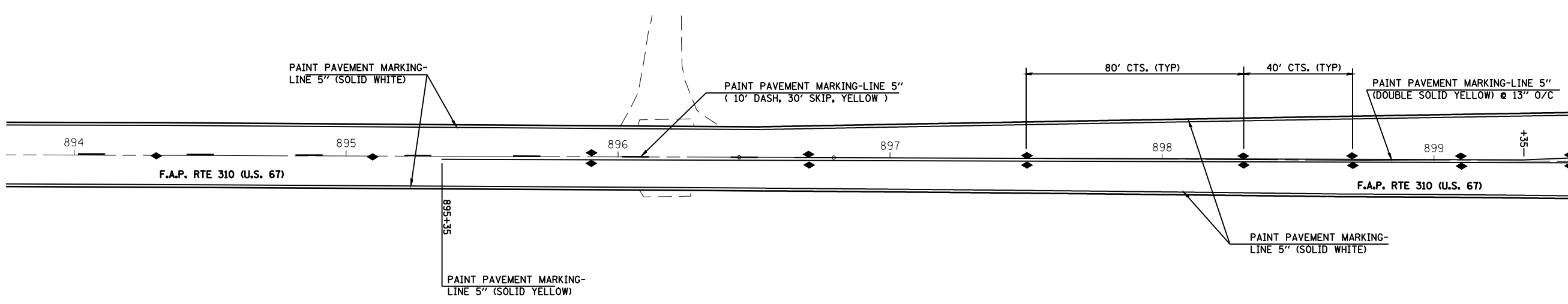


F.A.P. RTE.	SECTION	COUNTY	TOTAL SHEETS	SHEET NO.
310	43RS-3; 87-1RS-2	SCHUYLER	39	33
FED. ROAD DIST. NO.	ILLINOIS	FED. AID PROJECT		

CONTRACT 72772



MATCH LINE (STATION EQUATION)
STA 837+58.00 BK = 899+52.25 AH
(STATIONING REVERSES)

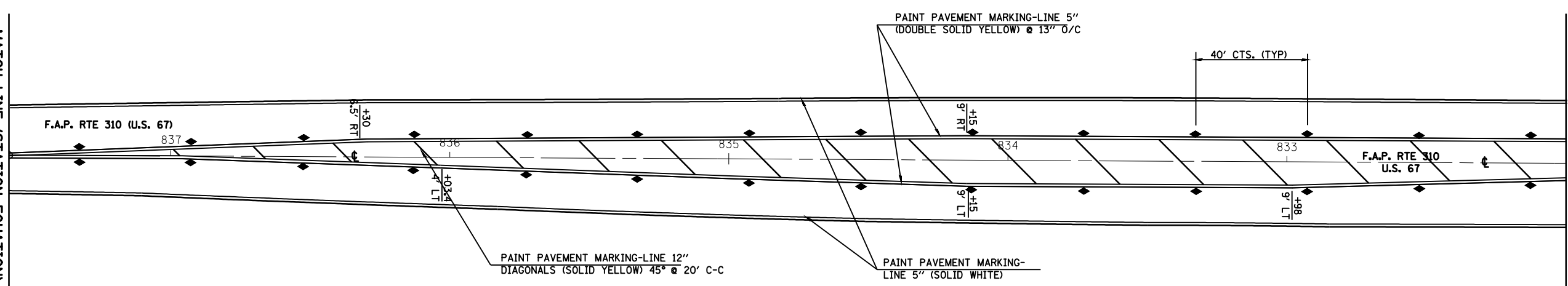


LEGEND

◆	RAISED REFLECTIVE PAVEMENT MARKER TWO-WAY AMBER
▽	RAISED REFLECTIVE PAVEMENT MARKER ONE-WAY CRYSTAL



MATCH LINE (STATION EQUATION)
STA 837+58.00 BK = 899+52.25 AH
(STATIONING REVERSES)



MATCH LINE STA 832+00



ILLINOIS DEPARTMENT OF TRANSPORTATION
PROPOSED PAVEMENT MARKING
DETAILS
F.A.P. ROUTE 310 (U.S. 67)
SECTION 43RS-3; 87-1RS-2
SCHUYLER COUNTY

c:\pwworking\harpwido\TBLAUGHLIN\RL\dms230728\PAVEMARK.dgn
 Feb-06-2009 02:20:56PM
 *REF-101B
 *REF-101A
 *REF-