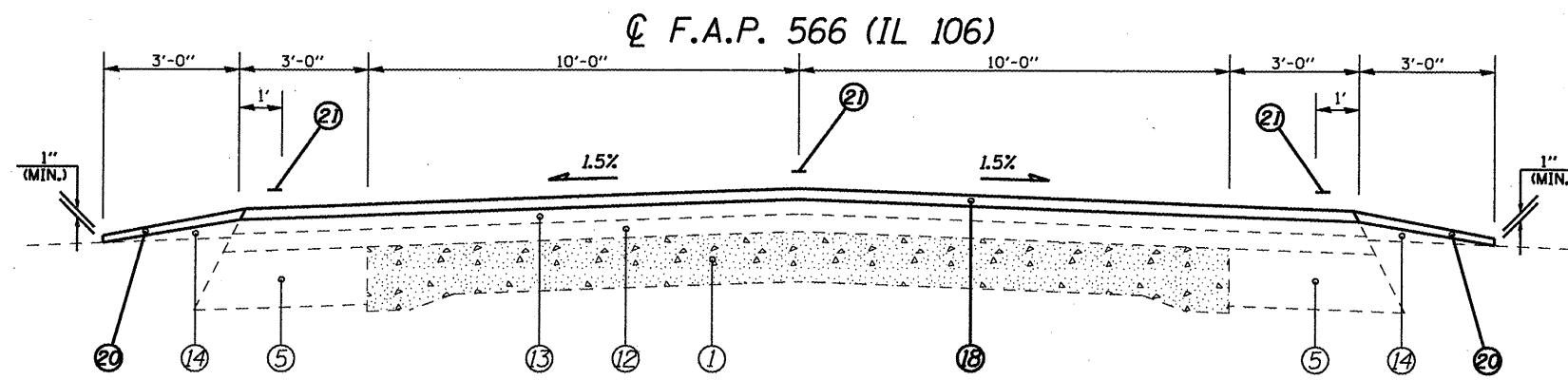
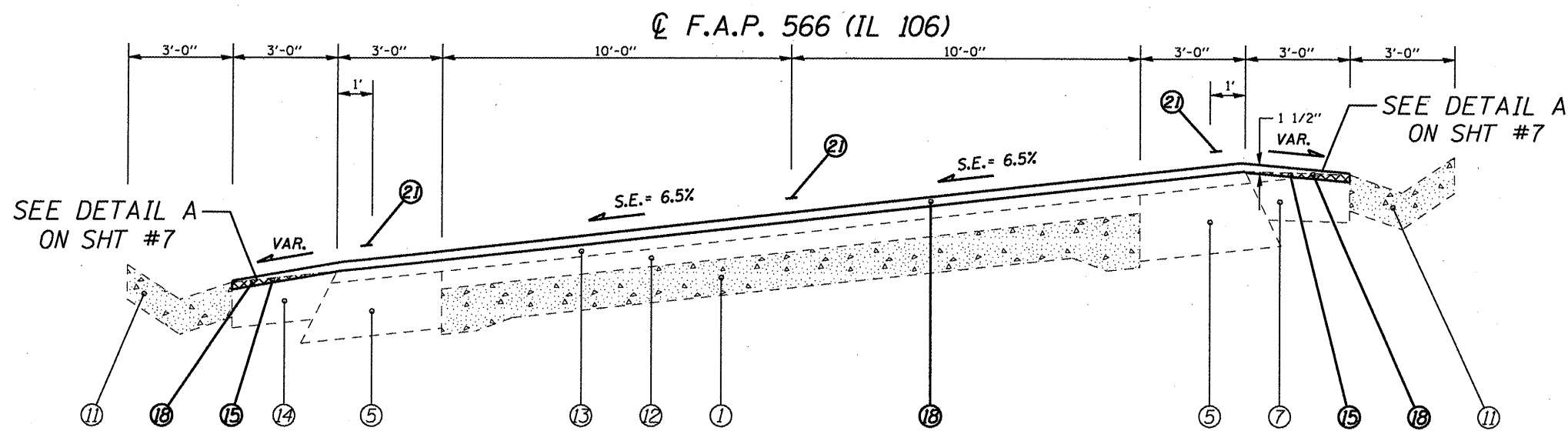


- (12) STA. 321+40.00 TO 322+80.00 [140.0']
- (15) STA. 333+94.00 TO 339+96.00 [602.0']
- (17) STA. 341+50.00 TO 343+75.00 [225.0']



- (14) STA. 328+00.00 TO 333+94.00 [594.0']



- (23) STA. 398+80.25 TO 407+61.81 [881.56']

AGGR SHLDR ENDS, HMA SHLDR & GUTTER TY A
 BEGIN @ STA 400+20.00 RT & STA 401+43.00 LT
 EXIST. GUTTER TY A ENDS & AGGR SHLDR
 BEGINS @ STA. 405+62.00 RT

REFER TO MILLING SCHEDULE ON PG. 9

LEGEND

- ① EXIST. P.C.C. PAVEMENT 9"-7"-9"
- ② EXIST. BITUMINOUS CONCRETE BASE COURSE VARIABLE DEPTH
- ③ EXIST. BITUMINOUS CONCRETE BASE COURSE WIDENING 9"
- ④ EXIST. BITUMINOUS CONCRETE BASE COURSE WIDENING 10"
- ⑤ EXIST. BITUMINOUS CONCRETE BASE COURSE WIDENING 10 1/2"
- ⑥ EXIST. BITUMINOUS CONCRETE BASE COURSE WIDENING 8"
- ⑦ EXIST. BITUMINOUS SHOULDER 8"
- ⑧ EXIST. BITUMINOUS SHOULDER
- ⑨ EXIST. CONCRETE GUTTER, TY A (MODIFIED)
- ⑩ EXIST. CONCRETE GUTTER, TY B
- ⑪ EXIST. CONCRETE GUTTER, TY A
- ⑫ EXIST. BITUMINOUS OVERLAY, 3"
- ⑬ EXIST. BITUMINOUS OVERLAY, 2"
- ⑭ EXIST. AGGREGATE SHOULDERS, TY B
- ⑮ PROP. HMA SURFACE REMOVAL, VARIABLE DEPTH *
- ⑯ PROP. HMA SURFACE REMOVAL, 2"
- ⑰ PROP. LEVELING BINDER (MACHINE METHOD), N50 3/4"
- ⑱ PROP. HMA CONCRETE SURFACE COURSE, MIX "C", N50 1 1/2 "
- ⑲ PROP. HMA SHOULDERS, 2 1/4"
- ⑳ PROP. AGGREGATE SHOULDERS, TY B
- ㉑ PROP. PAINT PAVEMENT MARKING - LINE 5"

* NOMINAL MILLING DEPTH 1/2 " @ ①

FULL S.E.: (S.E.#3 = 6.5%)
 STA 398+80.25 TO 407+61.81
 S.E. TRANSITION:
 STA 396+53.54 TO 398+80.25
 STA 407+61.81 TO 409+88.52

(NOT TO SCALE)