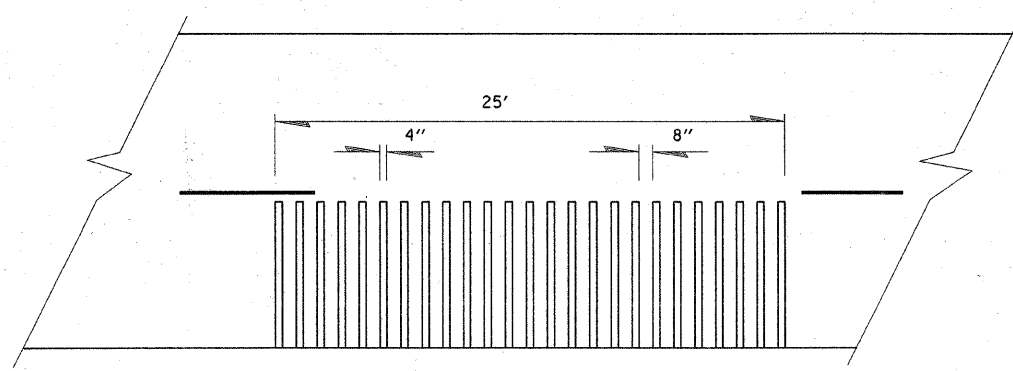
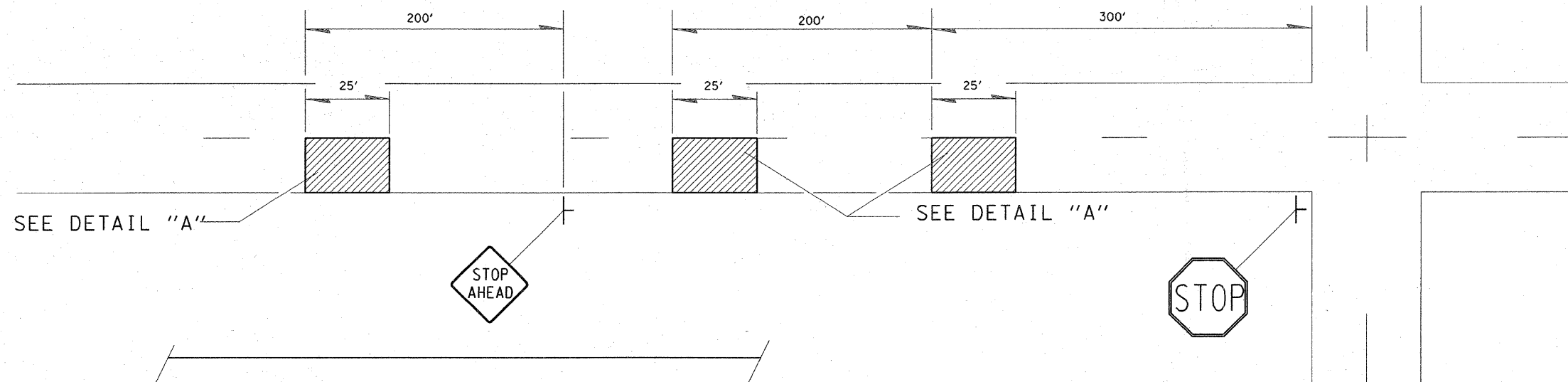
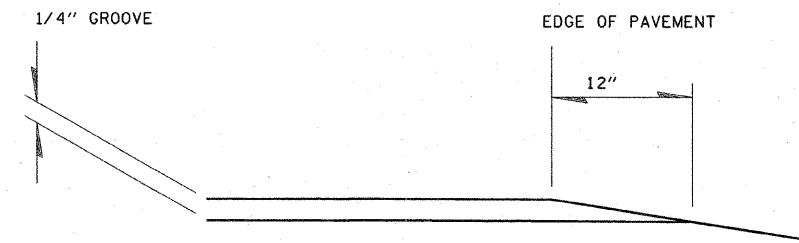
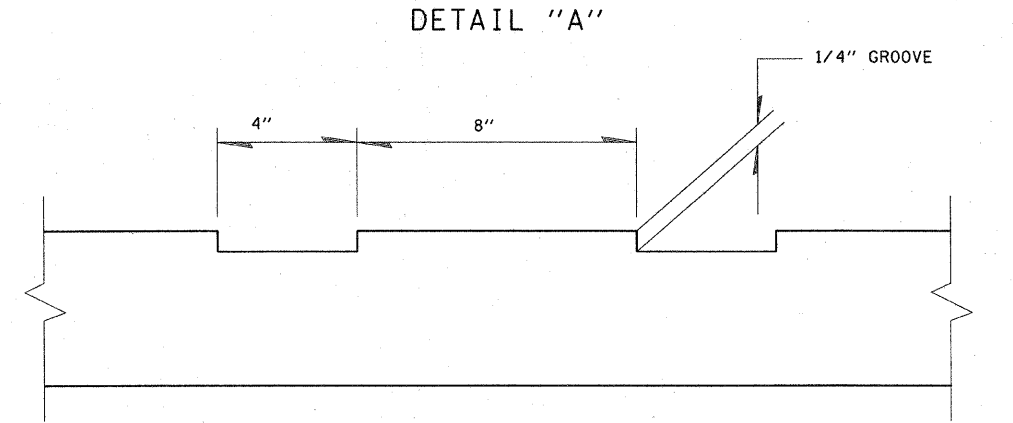


TYPICAL RUMBLE STRIP APPLICATION IN ADVANCE OF AN INTERSECTION



NOTE: THE 25 FEET RUMBLE AREA HAS 4" WIDE GROOVES SAWED INTO THE PAVEMENT, SEPARATED BY 8" OF EXISTING PAVEMENT. THE SAW CUTS SHALL EXTEND 12" INTO THE SHOULDER TO ALLOW FOR DRAINAGE.



FILE NAME =	USER NAME = teasleyck	DESIGNED -	REVISED - MMO 12-99	STATE OF ILLINOIS DEPARTMENT OF TRANSPORTATION	TYPICAL RUMBLE STRIP APPLICATION			F.A.P. RTE.	SECTION	COUNTY	TOTAL SHEETS	SHEET NO.
cr:\pwork\PWIDOT\TEASLEYCK\08123408\074377-shr-details.dgn	DRAWN -	REVISED -	766					(105,106)RS-2	SHELBY	12	9	
PLOT SCALE = 100.0000 "/ IN.	CHECKED -	REVISED -	CONTRACT NO. 74377									
PLOT DATE = 2/6/2009	DATE -	REVISED -	SCALE:		SHEET NO.	OF SHEETS	STA.	TO STA.	ILLINOIS FED. AID PROJECT			