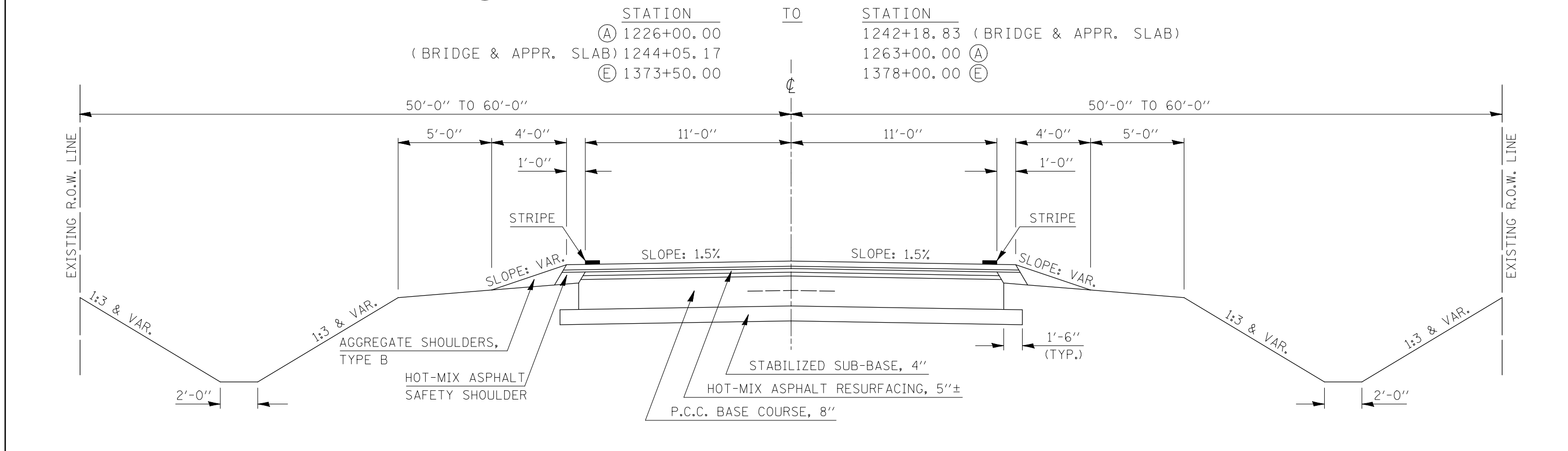
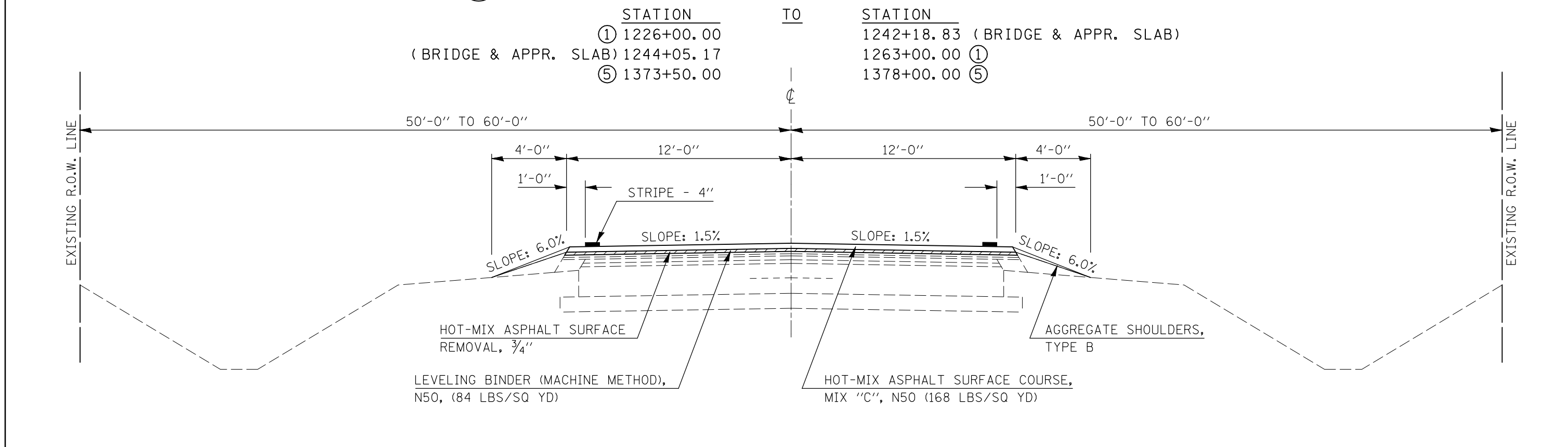


(B) EXISTING TYPICAL SECTION FAP 697 (IL 9)



(2) PROPOSED TYPICAL SECTION FAP 697 (IL 9)



FILE NAME =	USER NAME = ceorlockjd	DESIGNED - D. HENNESS	REVISED -	STATE OF ILLINOIS DEPARTMENT OF TRANSPORTATION	EXISTING & PROPOSED TYPICAL SECTIONS	F.A.P. RTE.	SECTION	COUNTY	TOTAL SHEETS	SHEET NO.	
ct:\pwwork\pwwid01\CEARLOCKJD\dms87652\90866typicals.dgn		DRAWN - CADD 11/29/07	REVISED -			697	46RS-8&1RS-2&46BDR	VERMILION	75	8	
PLOT SCALE = 100.0000' / IN.		CHECKED -	REVISED -			CONTRACT NO. 90866					
PLOT DATE = 2/6/2009		DATE -	REVISED -			FED. ROAD DIST. NO. ILLINOIS FED. AID PROJECT					