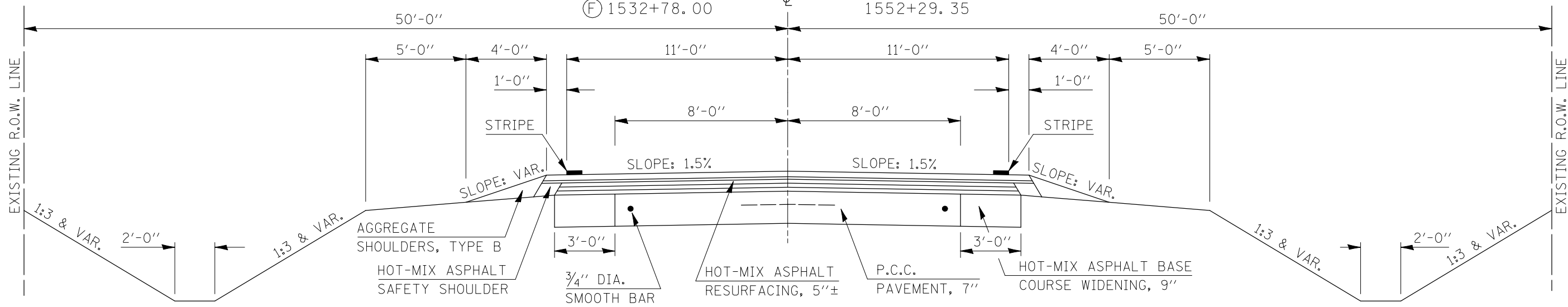


E EXISTING TYPICAL SECTION FAP 697 (IL 9)

STATION	TO	STATION
Ⓐ 1327+14.00		1327+55.00 Ⓕ
Ⓕ 1334+56.00		1335+12.00 Ⓕ
Ⓕ 1343+58.00		1367+13.00 Ⓕ
(RR OMISSION) Ⓕ 1372+65.50		1373+50.00 Ⓕ
Ⓕ 1378+00.00		1386+05.10 Ⓕ
Ⓕ 1397+75.30		1489+55.00 Ⓕ
Ⓕ 1495+13.00		1524+65.00 Ⓕ
Ⓕ 1532+78.00		1552+29.35



5 PROPOSED TYPICAL SECTION FAP 697 (IL 9)

STATION	TO	STATION
① 1327+14.00		1327+55.00 ⑥
⑥ 1334+56.00		1335+12.00 ⑥
* ⑥ 1343+58.00		1367+13.00 ⑥ *
⑥ (RR OMISSION) 1372+65.50		1373+50.00 ②
② 1378+00.00		1386+05.10 ⑧
⑧ 1397+75.30		1489+55.00 ⑥
⑥ 1495+13.00		1524+65.00 ⑥
⑥ 1532+78.00		1552+29.35

* REFER TO THE "DETAIL OF MILLING TRANSITION FROM 3/4" TO 1 1/2" " FOR THE MILLING STATION LIMITS.
 REFER TO THE "RESURFACING DETAIL @ MILLING TRANSITION AREAS (INLAY SECTION)" FOR RESURFACING STATION LIMITS.

