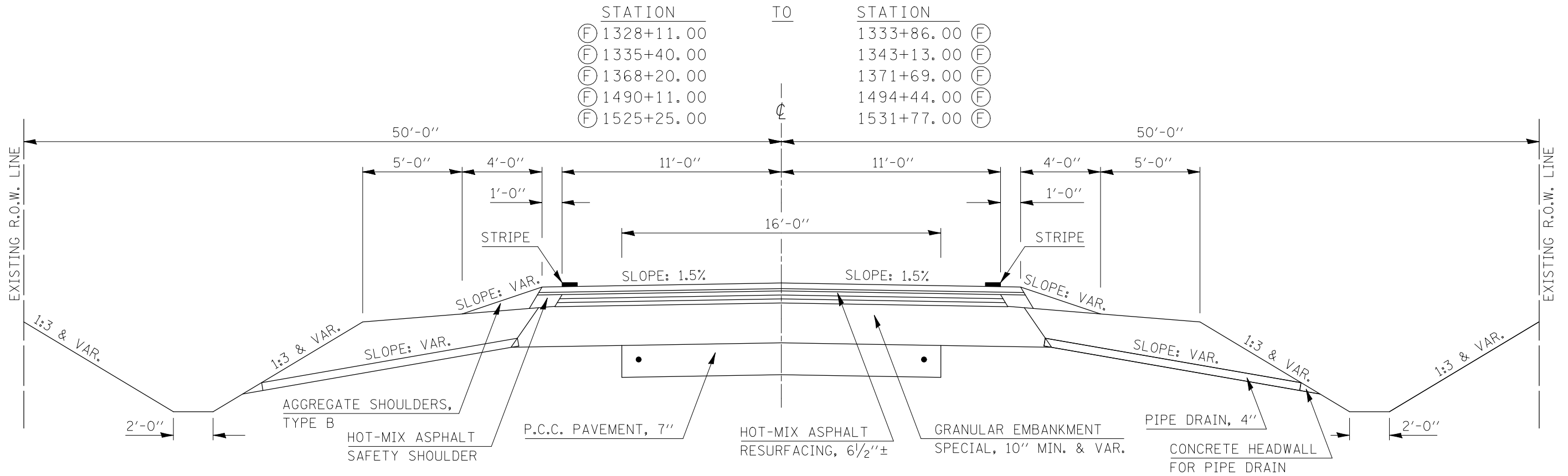


G EXISTING TYPICAL SECTION FAP 697 (IL 9)



7 PROPOSED TYPICAL SECTION FAP 697 (IL 9)

