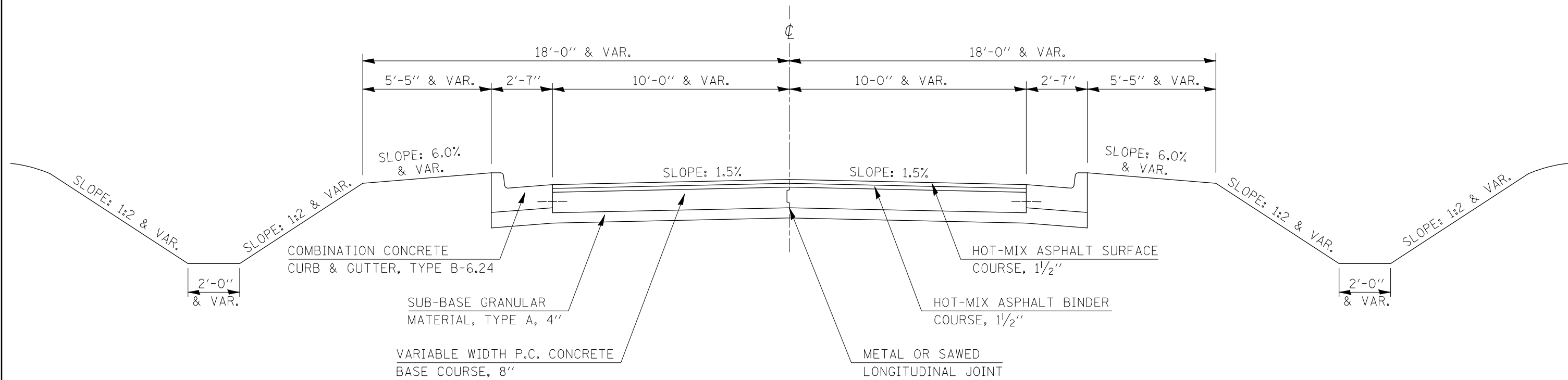


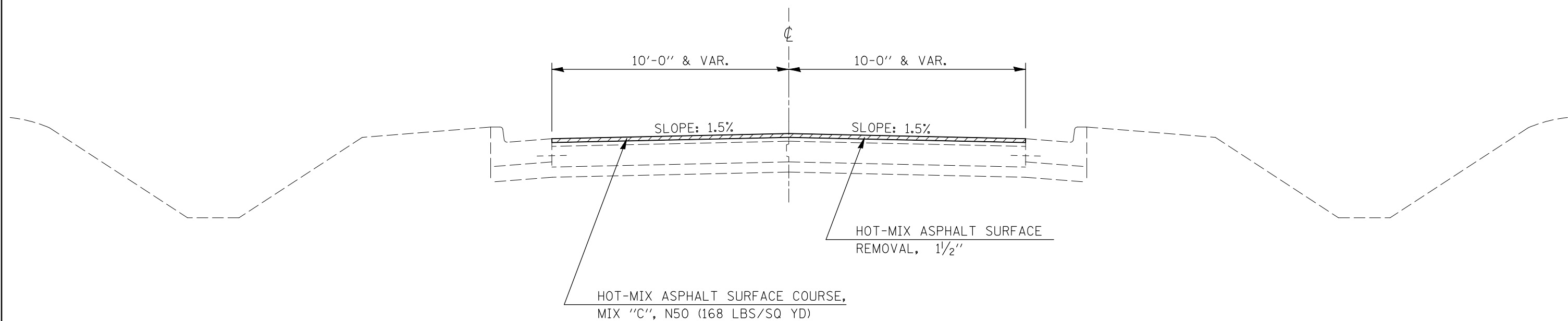
# 1 EXISTING TYPICAL SECTION CH 3 (ANTIOCH ROAD)

RT STATION 1366+94.10



# 9 PROPOSED TYPICAL SECTION CH 3 (ANTIOCH ROAD)

RT STATION 1366+94.10



FILE NAME =	USER NAME = ceorlockjd	DESIGNED - D. HENNESS	REVISED -	<b>STATE OF ILLINOIS DEPARTMENT OF TRANSPORTATION</b>	<b>EXISTING &amp; PROPOSED TYPICAL SECTIONS</b>				F.A.P. RTE.	SECTION	COUNTY	TOTAL SHEETS	SHEET NO.
ce:\pwork\pwork\PWIDOT\CEARLOCKJD\dms87652\90866typicals.dgn	DRAWN - CADD 11/29/07	REVISIED -	REVISIED -						697	46RS-8&1RS-2&46BDR	VERMILION	75	16
PLOT SCALE = 100.0000' / IN.	CHECKED -	REVISIED -	REVISIED -		CONTRACT NO. 90866								
PLOT DATE = 2/6/2009	DATE -	REVISIED -	REVISIED -		FED. ROAD DIST. NO.	ILLINOIS	FED. AID PROJECT						

SCALE: NA SHEET NO. OF SHEETS STA. TO STA.