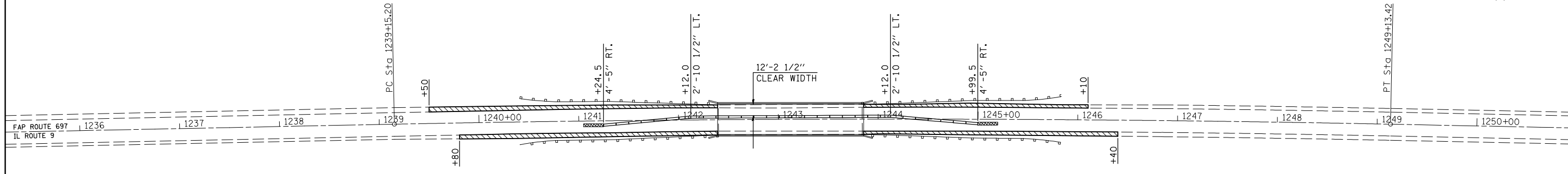


STAGE I CONSTRUCTION
S.N. 092-0048



70400100 TEMPORARY CONCRETE BARRIER
STA. 1241+24.5 TO STA. 1244+99.5 = 375 FEET

PLAN NOTES:

ALL STAGING DETAILS SET UP IN ACCORDANCE WITH TRAFFIC CONTROL AND PROTECTION STANDARD 701321.

PRIOR TO BARRIER AND SIGNAL PLACEMENT, TRAFFIC CONTROL SHALL BE SET UP IN ACCORDANCE WITH TAFFIC CONRTOL AND PROTECTION STANDARD 701201.

THE COST FOR ALL TEMPORARY PAVEMENT MARKING PLACEMENT AND REMOVAL SHALL BE INCIDENTAL TO STANDARD 701321.

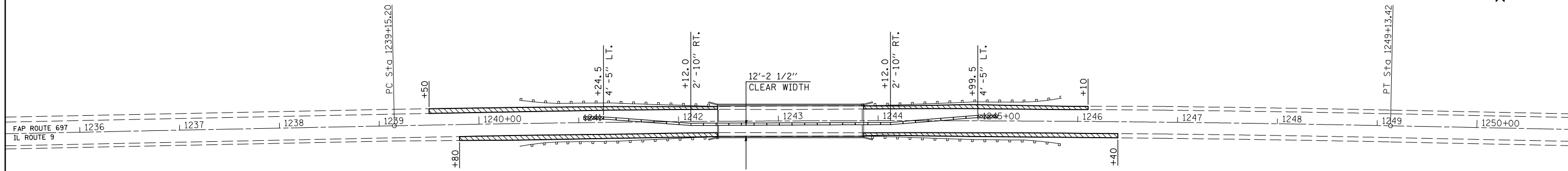
TRAFFIC CONTROL STANDARD 701326 SHALL BE USED FOR THE COMPLETION OF THE HMA BASE COURSE WIDENING, 9" PRIOR TO STAGE I.

REFLECTORS FOR BARRIER WALL AND BRIDGE RAIL SHALL BE INCLUDED IN THE COST FOR THE APPLICABLE TRAFFIC CONTROL PAY ITEMS.

TEMPORARY CONCRETE BARRIER SHALL BE ACCORDING TO STANDARD 704001.

SYMBOLS	
	TEMPORARY CONCRETE BARRIER
	IMPACT ATTENUATOR
	HMA BASE COURSE WIDENING, 9" TO BE COMPLETED PRIOR TO STAGE I

STAGE II CONSTRUCTION
S.N. 092-0048



70400200 RELOCATE TEMPORARY CONCRETE BARRIER
STA. 1241+24.5 TO STA. 1244+99.5 = 375 FEET

FILE NAME =	USER NAME = ceorlockjd	DESIGNED -	REVISED -
ct:\pw\work\PWIDOT\CEARLOCKJD\dms87652\590866-shit-staging.dgn		DRAWN -	REVISED -
PLOT SCALE = 100.0000' / IN.		CHECKED -	REVISED -
PLOT DATE = 2/6/2009		DATE -	REVISED -

STATE OF ILLINOIS
DEPARTMENT OF TRANSPORTATION

STAGE CONSTRUCTION
S.N. 092-0048

SCALE: 1" = 50' SHEET NO. 4 OF 17 SHEETS STA. TO STA.

F.A.P. RTE.	SECTION	COUNTY	TOTAL SHEETS	SHEET NO.
697	46RS-8&1RS-2&46BDR	VERMILION	75	43
				CONTRACT NO. 90866
ILLINOIS FED. AID PROJECT				