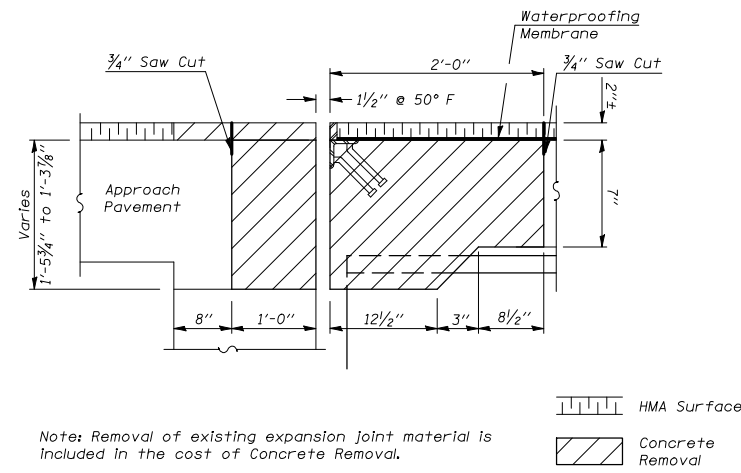
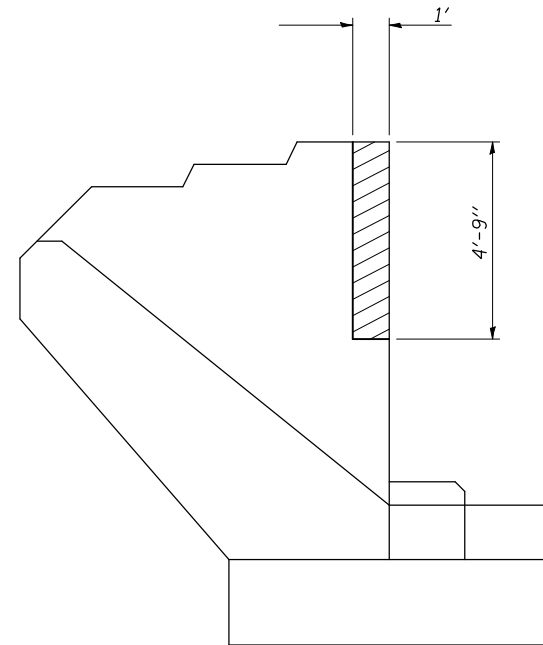


JOINT REPAIR AT WEST ABUTMENT

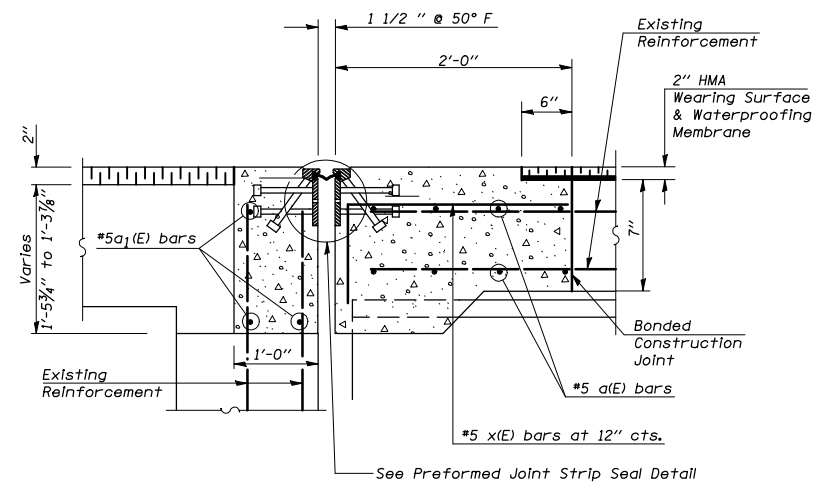
S.N. 092-0048



EXISTING SECTION AT WEST ABUTMENT

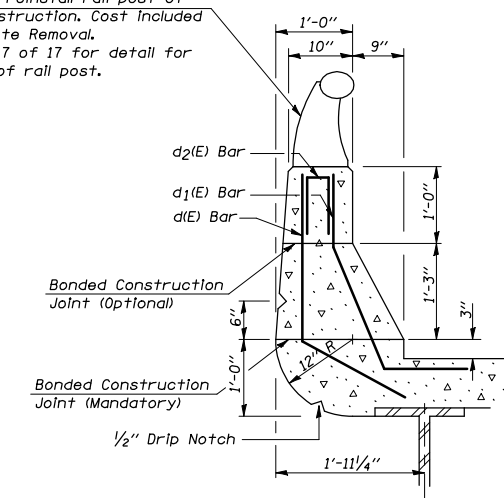


SECTION THRU WING



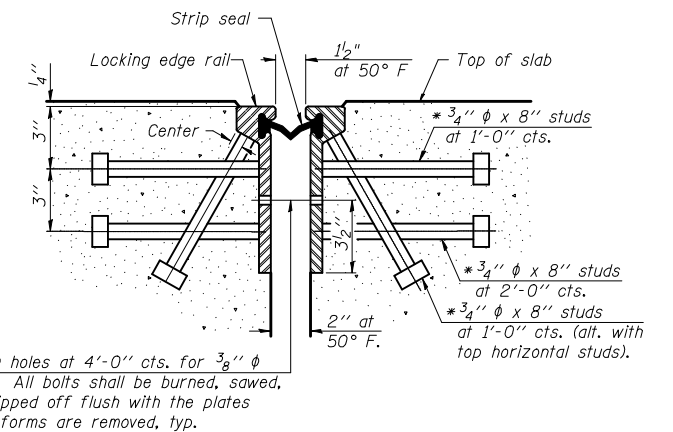
PROPOSED SECTION AT WEST ABUTMENT

Remove and reinstall rail post of joint reconstruction. Cost included with concrete removal. See sheet 17 of 17 for detail for anchorage of rail post.



PARAPET DETAIL

* Granular or solid flux filled headed studs conforming to Article 1006.32 of the Std. Specs., automatically end welded.



PREFORMED JOINT STRIP SEAL DETAIL

FILE NAME =	USER NAME = ceorlockjd	DESIGNED -	REVISED -	STATE OF ILLINOIS DEPARTMENT OF TRANSPORTATION	JOINT REPAIR AT WEST ABUTMENT - S.N. 092-0048	F.A.P. RTE.	SECTION	COUNTY	TOTAL SHEETS	SHEET NO.
ce:\pwwork\pwwid001\CEARLOCKJD\dms87656\0590866-Hyd.dgn		DRAWN -	REVISED -			697	46RS-8&1RS-2&46BDR	VERMILION	75	50
PLOT SCALE = 40.0000' / IN.		CHECKED -	REVISED -			CONTRACT NO. 90866				
PLOT DATE = 2/6/2009		DATE -	REVISED -			FED. ROAD DIST. NO.	ILLINOIS	FED. AID PROJECT		
					SCALE:	SHEET NO. 11 OF 17 SHEETS	STA. 90866	TO STA.		