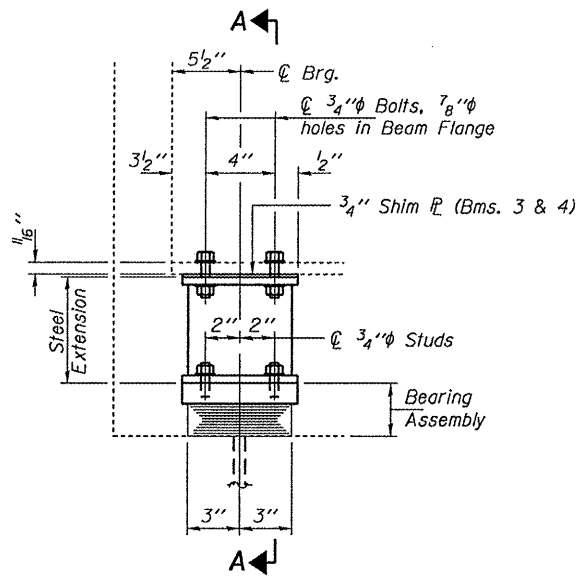
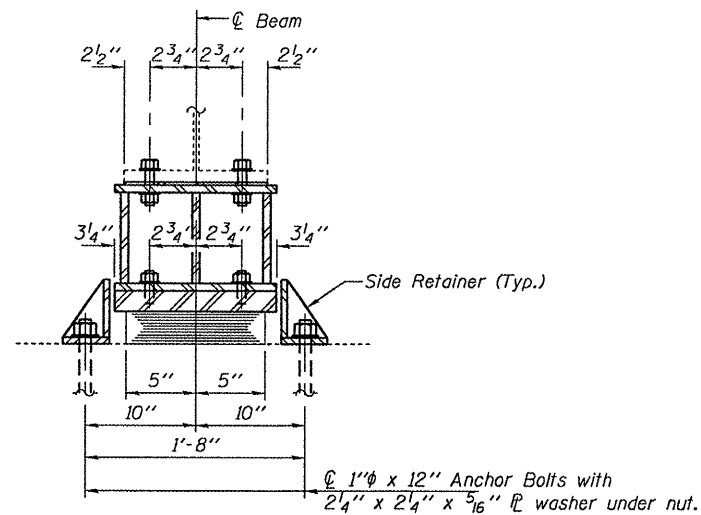


STATE OF ILLINOIS
DEPARTMENT OF TRANSPORTATION



ELEVATION AT ABUTMENT

TYPE I ELASTOMERIC EXP. BRG.



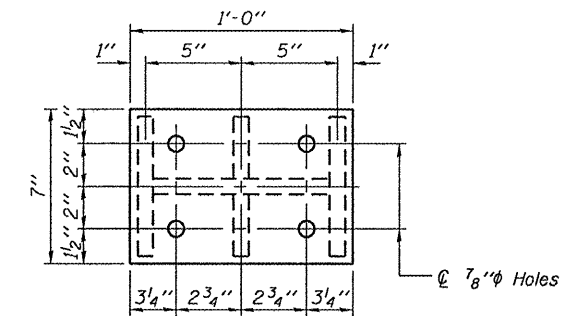
SECTION A-A

1" ϕ x 12" Anchor Bolts with
2 1/4" x 2 1/4" x 5/16" ϕ washer under nut.

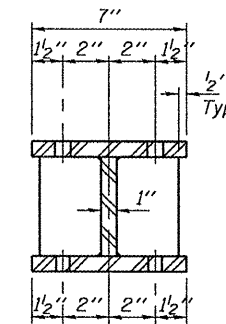
BEAM REACTIONS

RP	(K)	17.2
Rt	(K)	29.3
Imp.	(K)	8.6
R (Total)	(K)	55.1

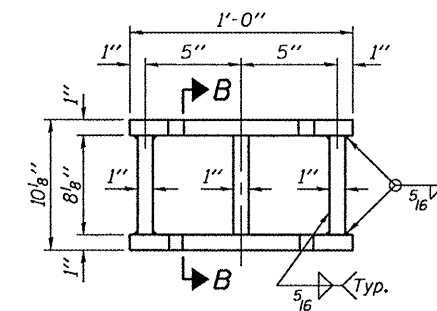
Notes:
Diaphragm removal and reinstallation may be required to facilitate drilling holes. Cost included with Furnishing and Erecting Structural Steel.
New steel extensions, shim plates and connection bolts are included with Furnishing and Erecting Structural Steel. Prior to ordering any material, the Contractor shall verify in the field all bearing height and shim thickness dimensions. Min. Jack capacity = 30 Tons.
Anchor bolts shall be ASTM F1554 all-thread (or an Engineer-approved alternate material) of the grade(s) and diameter(s) specified. ASTM A307 Grade C anchor bolts may be used in lieu of ASTM F1554 Grade 36 (Fy=36ksi). The corresponding specified grade of AASHTO M314 anchor bolts may be used in lieu of ASTM F1554.
Anchor bolts at fixed bearings may be either cast in place or installed in holes drilled after the supported member is in place.
Drilled and set anchor bolts shall be installed according to Article 521.06 of the Standard Specifications.
Side retainers shall be included in the cost of Elastomeric Bearing Assembly, Type I.



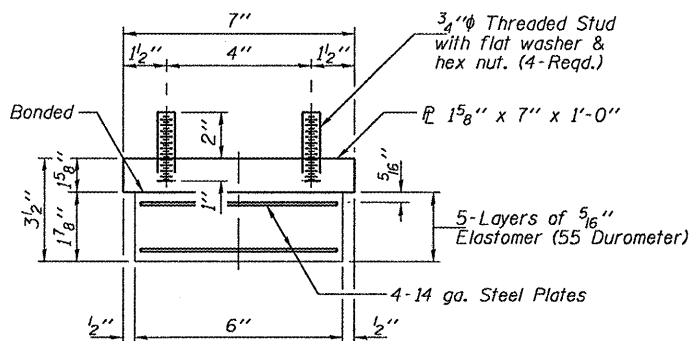
PLAN TOP AND BOTTOM PLATE



SECTION B-B

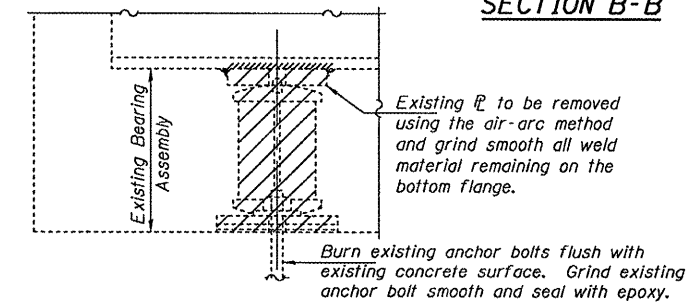


STEEL EXTENSION DETAIL



BEARING ASSEMBLY

Note:
Shim plates shall not be placed under Bearing Assembly.



EXISTING BEARING REMOVAL DETAIL

Cost included with Jack and Remove Existing Bearings.

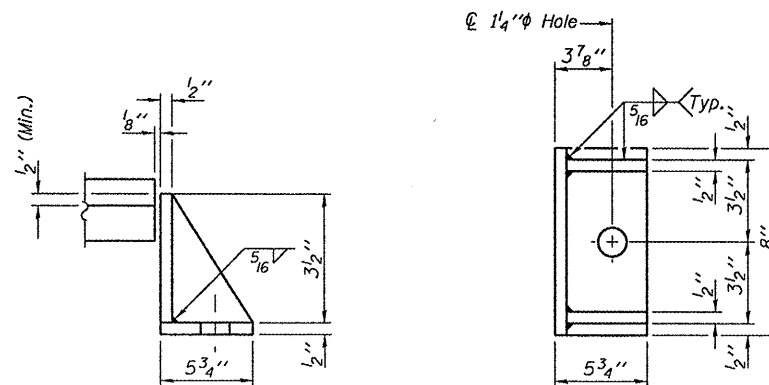
BILL OF MATERIAL

Item	Unit	Total
Elastomeric Bearing Assembly, Type I	Each	6
Jack and Remove Existing Bearings	Each	6
Furnishing and Erecting Structural Steel	Pound	740
Anchor Bolts 1" ϕ	Each	12

BEARING REPLACEMENT DETAILS

WEST ABUTMENT

SN 092-0048

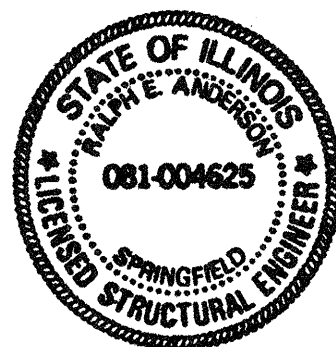


SIDE RETAINER

Equivalent rolled angle with stiffeners will be allowed in lieu of welded plates.

DESIGNED	Richard A. Velazquez
CHECKED	Ramon Baliva
DRAWN	baliva
CHECKED	VHV

EXAMINED	Dr. Carl Perry	FEBRUARY 20, 2009
PASSED	Ralph E. Anderson	



EXPIRES 11-30-2010

TYI/REPS 12-03-2008

SHEET NO. 1	F.A.S. RTE.	SECTION	COUNTY	TOTAL SHEETS	SHEET NO.
2 SHEETS	697	4GRS-8 & 1RS-2 & 4GBDR	VERMILION	75	57
			CONTRACT NO. 90866		
FED. ROAD DIST. NO.		ILLINOIS	FED. AID PROJECT		