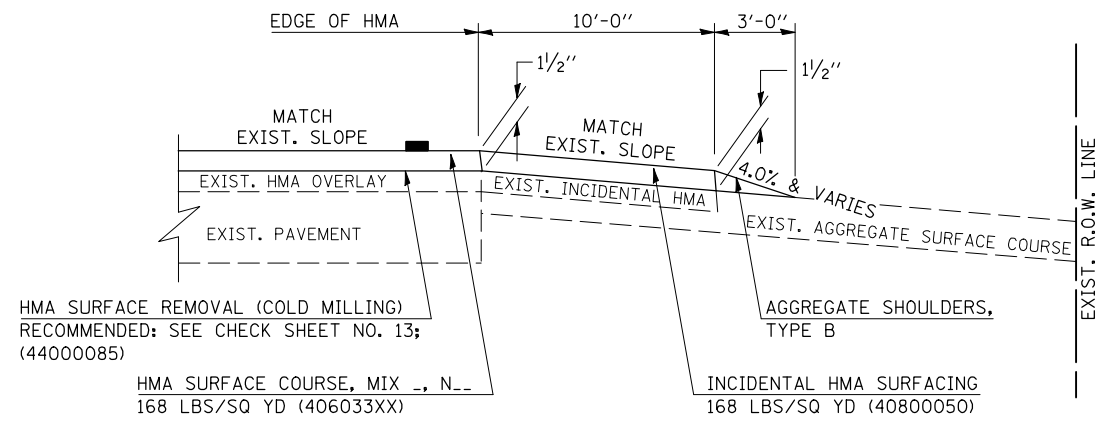


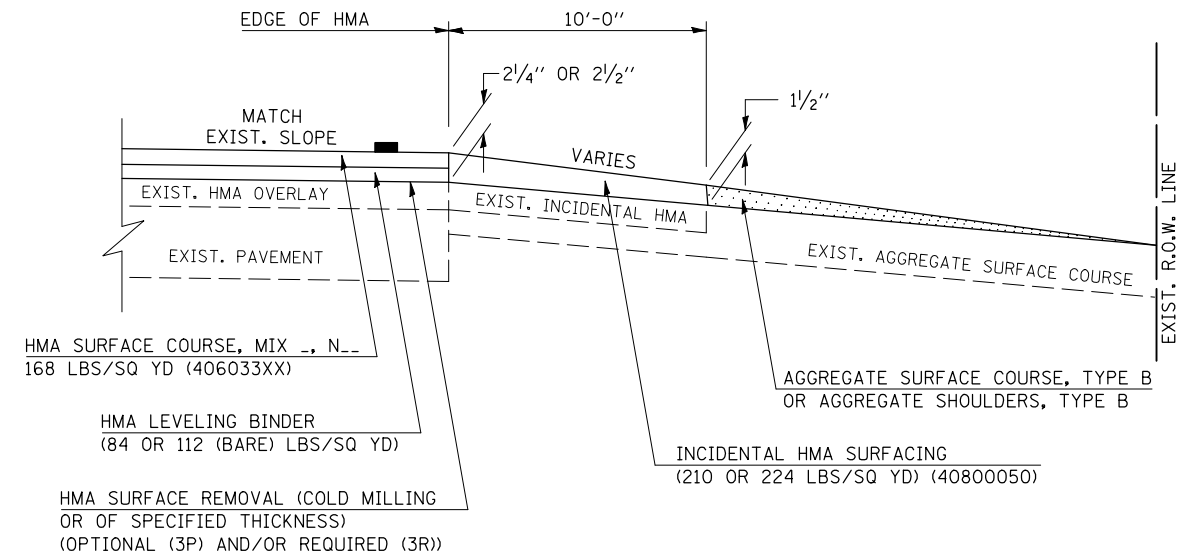
PROJECTS WITHOUT RECONSTRUCTION

S.M.A.R.T. IMPROVEMENTS (POLICY RESURFACING; BDE 53-4.03; 1/2")

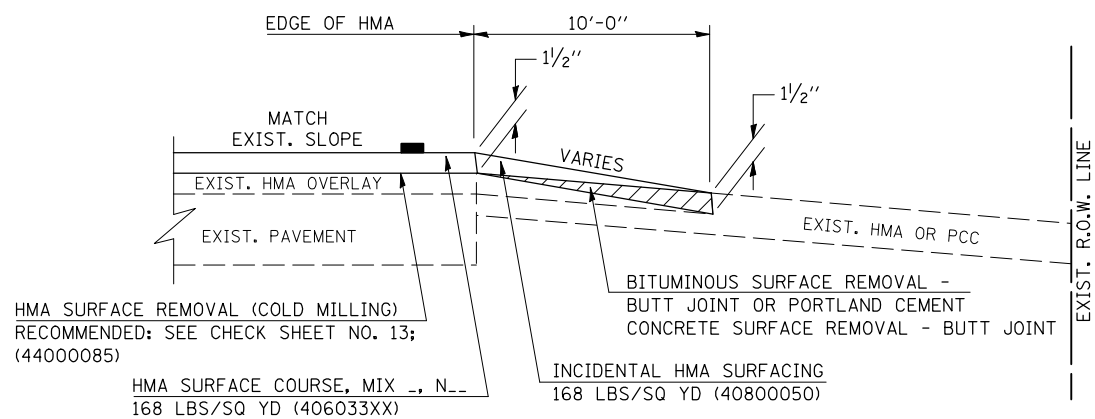


EXISTING AGGREGATE ENTRANCE

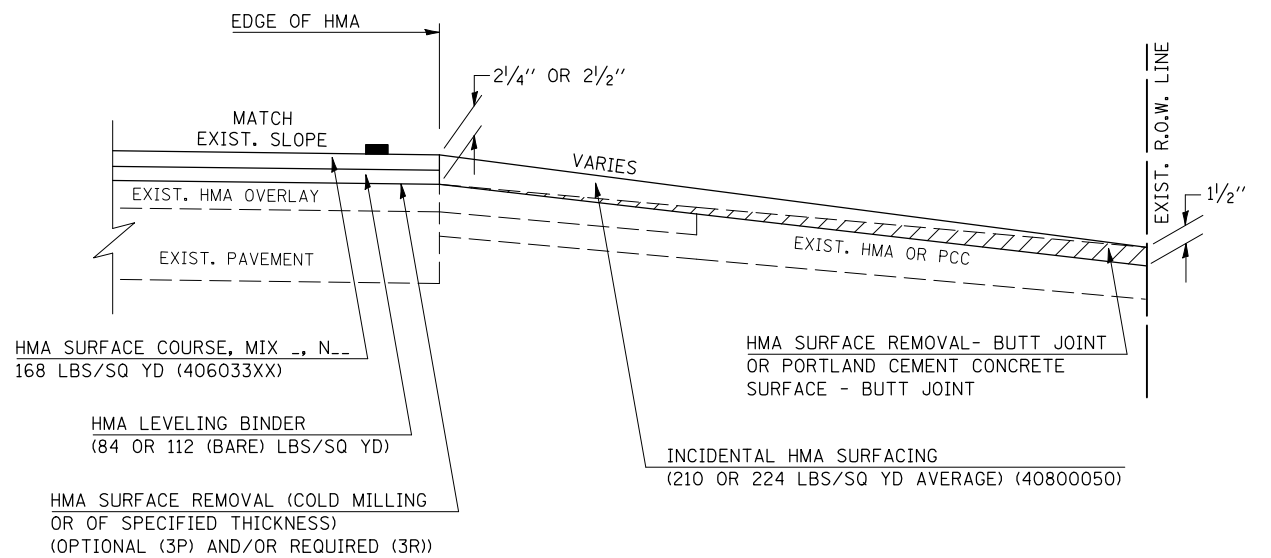
"3P" OR "3R" IMPROVEMENTS (POLICY RESURFACING; BDE 53-4.02; 2 1/4" OR 2 1/2" ON BARE CONCRETE)



EXISTING AGGREGATE ENTRANCE



EXISTING HMA OR PCC ENTRANCE



EXISTING HMA OR PCC ENTRANCE

Note: All dimensions are in INCHES (millimeters) unless otherwise shown.

DISTRICT 5 DETAIL NO. 4080050C

FILE NAME =	USER NAME = ceorlockjd	DESIGNED -	REVISED - 12/08/06 TJB
ct:\pw\work\p\dot\ceorlockjd\dms87652\090866-sht-details.dgn		DRAWN -	REVISED - 09/21/07 KAG
	PLOT SCALE = 40.0000' / IN.	CHECKED -	REVISED - 05/02/08 KJT
	PLOT DATE = 2/6/2009	DATE -	REVISED -

**STATE OF ILLINOIS
DEPARTMENT OF TRANSPORTATION**

PRIVATE AND COMMERCIAL ENTRANCES (NONCOMMERCIAL AND COMMERCIAL RURAL)			
SCALE: NA	SHEET NO. 1 OF 2 SHEETS	STA.	TO STA.

F.A. RTE.	SECTION	COUNTY	TOTAL SHEETS	SHEET NO.
697	46RS-8&1RS-2&46BDR	VERMILION	75	66
CONTRACT NO. 90866				
FED. ROAD DIST. NO. ILLINOIS FED. AID PROJECT				