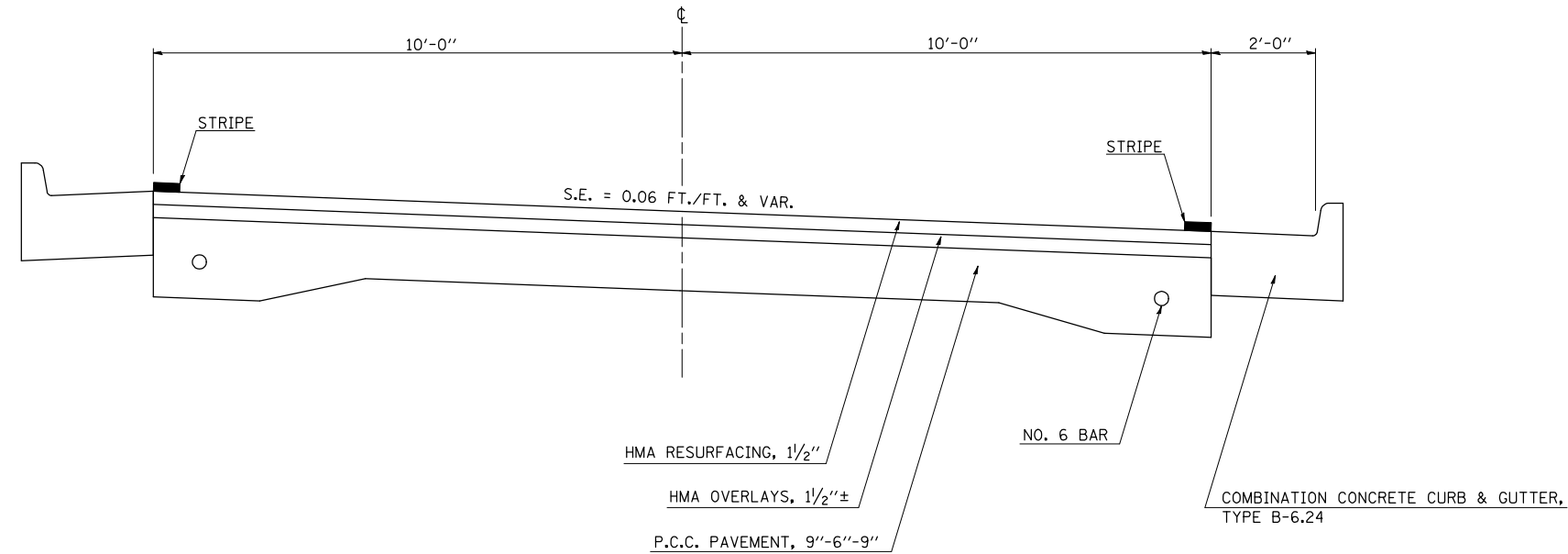


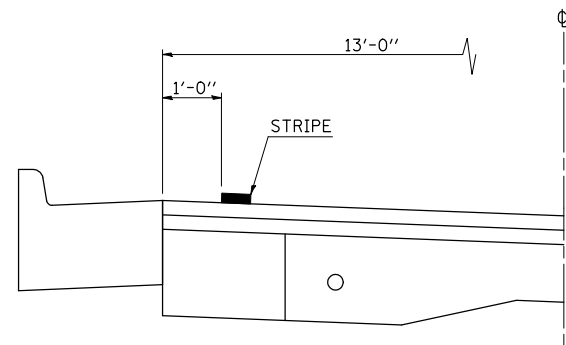
**C EXISTING TYPICAL CROSS SECTION**

STATION 760+00.00 TO STATION 767+60.00



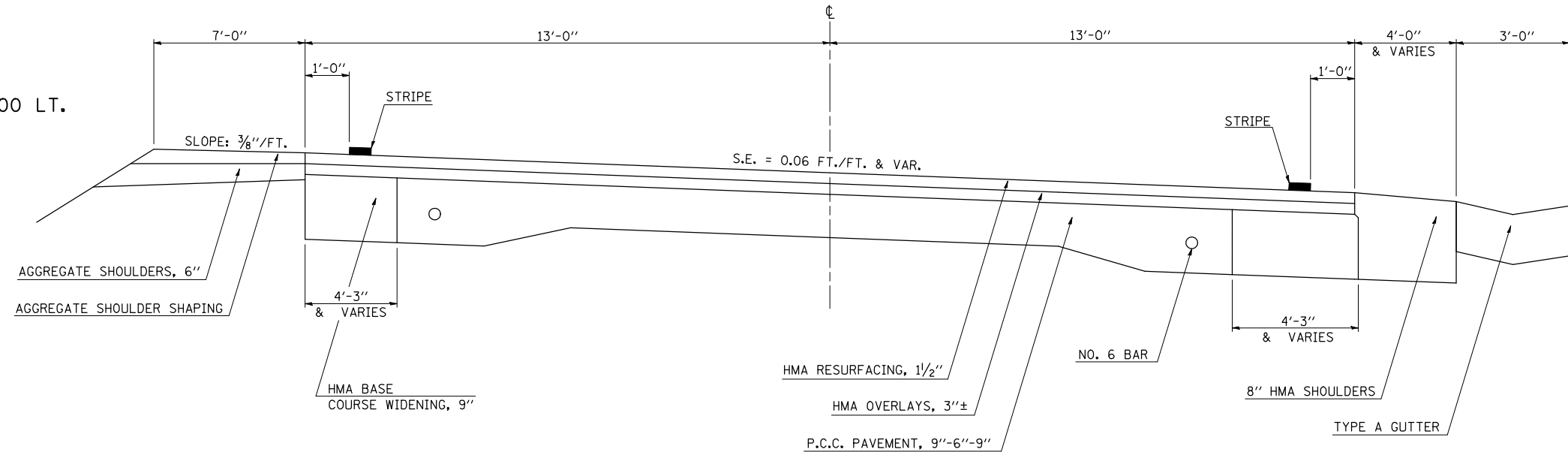
**D EXISTING TYPICAL CROSS SECTION**

STATION 767+60.00 TO STATION 771+70.00 (BK.)  
774+73.80 (AH.) TO STATION 776+27.00



**DETAIL**

STA. 767+60.00 LT. TO STA. 769+25.00 LT.



FILE NAME =	USER NAME = ppersonbr	DESIGNED - BJM	REVISED -
ct:\pw\work\PIWIDOT\PIERSONBR\d0107117\90914details.dgn		DRAWN - BBP	REVISED -
		CHECKED - BJM	REVISED -
		DATE - 11/28/07	REVISED -

**STATE OF ILLINOIS  
DEPARTMENT OF TRANSPORTATION**

**EXISTING TYPICAL CROSS SECTIONS**

SCALE: NONE SHEET NO. OF SHEETS STA. TO STA.

F.A.P. RTE.	SECTION	COUNTY	TOTAL SHEETS	SHEET NO.
711	116RS-3	VERMILION	51	10
FED. ROAD DIST. NO. ILLINOIS FED. AID PROJECT			CONTRACT NO. 90914	