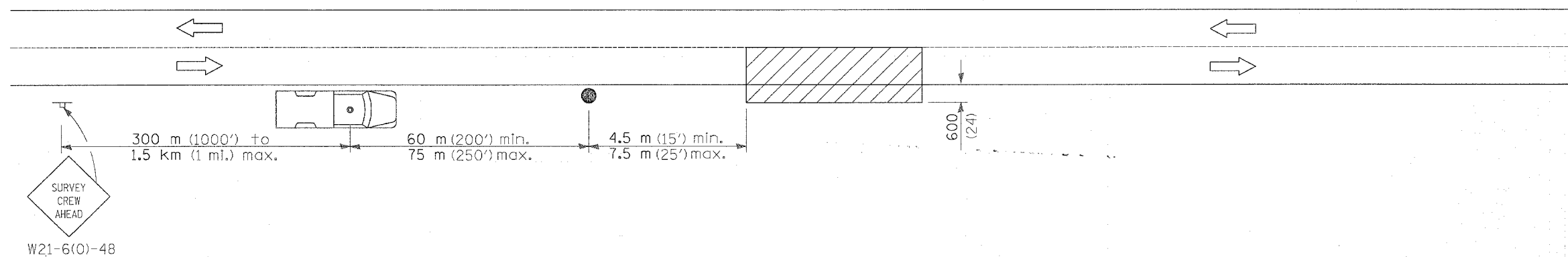
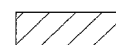


F.A.P. RTE.	SECTION	COUNTY	TOTAL SHEETS	SHEET NO.
595	1-3-K	ROCK ISLAND	476	232
STA.		TO STA.		
FED. ROAD DIST. NO.		ILLINOIS FED. AID PROJECT		



SYMBOLS



Work area



Sign on portable or permanent support



Truck with flashing amber light and dual emergency flashers



Flagger with traffic control sign

TYPICAL APPLICATIONS
Utility operations

All dimensions are in millimeters (inches) unless otherwise shown.

DATE	REVISIONS

DETAIL FOR
NIGHTTIME LIGHTING
INSPECTION