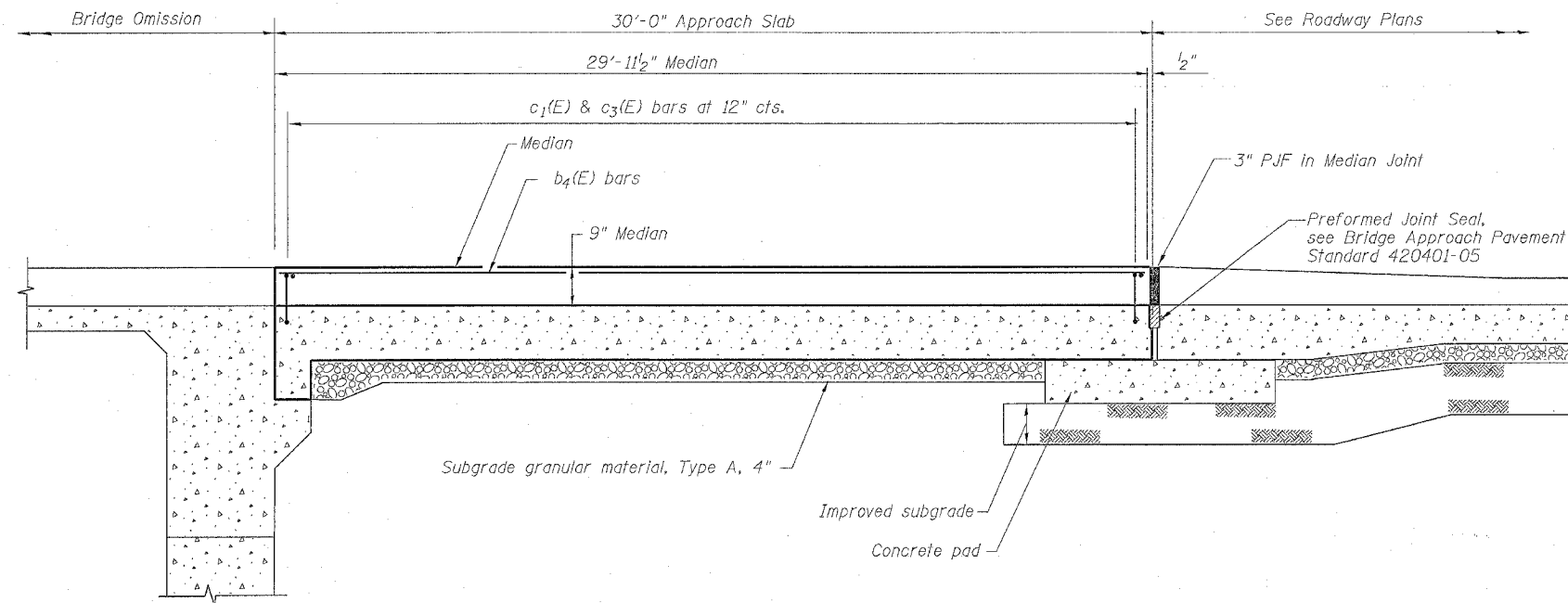


STATE OF ILLINOIS
DEPARTMENT OF TRANSPORTATION

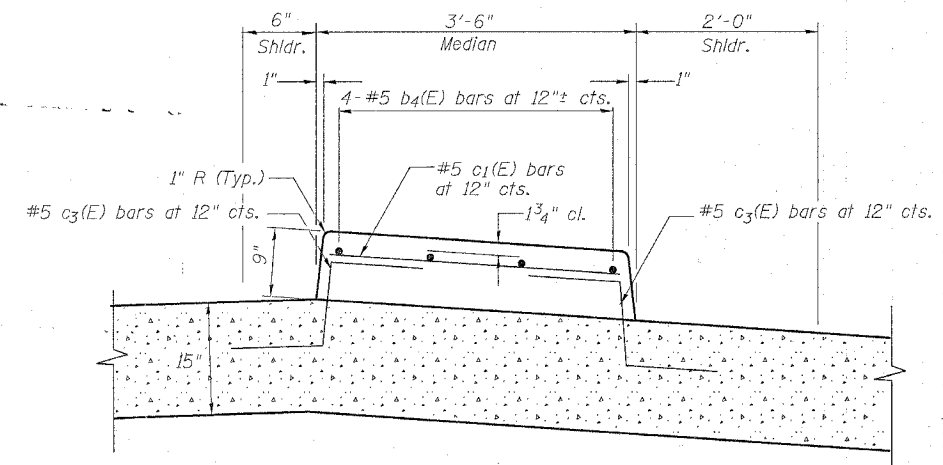
ROUTE NO.	SECTION	COUNTY	TOTAL SHEETS	SHEET NO.	SHEET NO. 20
F.A.P. 595	1-3-K	Rock Island	476	271	22 SHEETS
FED. ROAD DIST. NO. 7	BLINDS	FED. AID PROJECT			



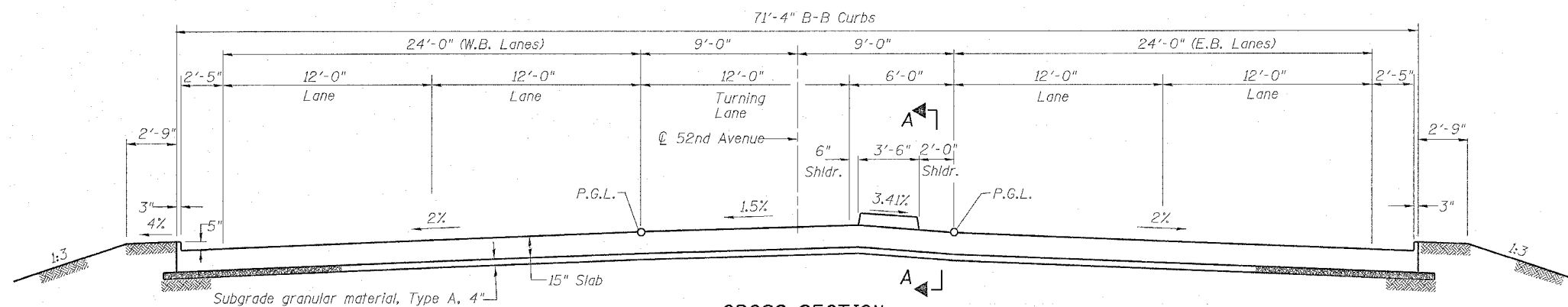
SECTION A-A

Notes:

Reinforcement bars and concrete in the median shall be included in the cost of Bridge Approach Pavement (Special).
For additional approach pavement details, see Roadway Plans Standard 420401-2.
For quantity of Bridge Approach Pavement (Special), see Roadway Plans.



SECTION THRU MEDIAN



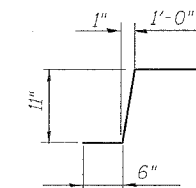
CROSS SECTION

Looking East
(Dimensions are at right \angle 's to ϕ 52nd Ave.)

TWO APPROACH PAVEMENTS
BILL OF MATERIAL
(For Information Only)

Bar	No.	Size	Length	Shape
b ₄ (E)	8	#5	29'-6"	—
c ₁ (E)	62	#5	3'-0"	—
c ₂ (E)	124	#5	2'-7"	┘

Reinforcement bars designated (E) shall be epoxy coated.



Bar c₃(E)

DESIGNED	JBF
CHECKED	JBF
DRAWN	RAP
CHECKED	JBF

BRIDGE APPROACH PAVEMENT (SP)

52nd AVE. OVER MILAN BELTWAY
FAU ROUTE 5822 SECTION 1-3
ROCK ISLAND COUNTY
STATION 1159+12.92
STRUCTURE NO. 081-0156