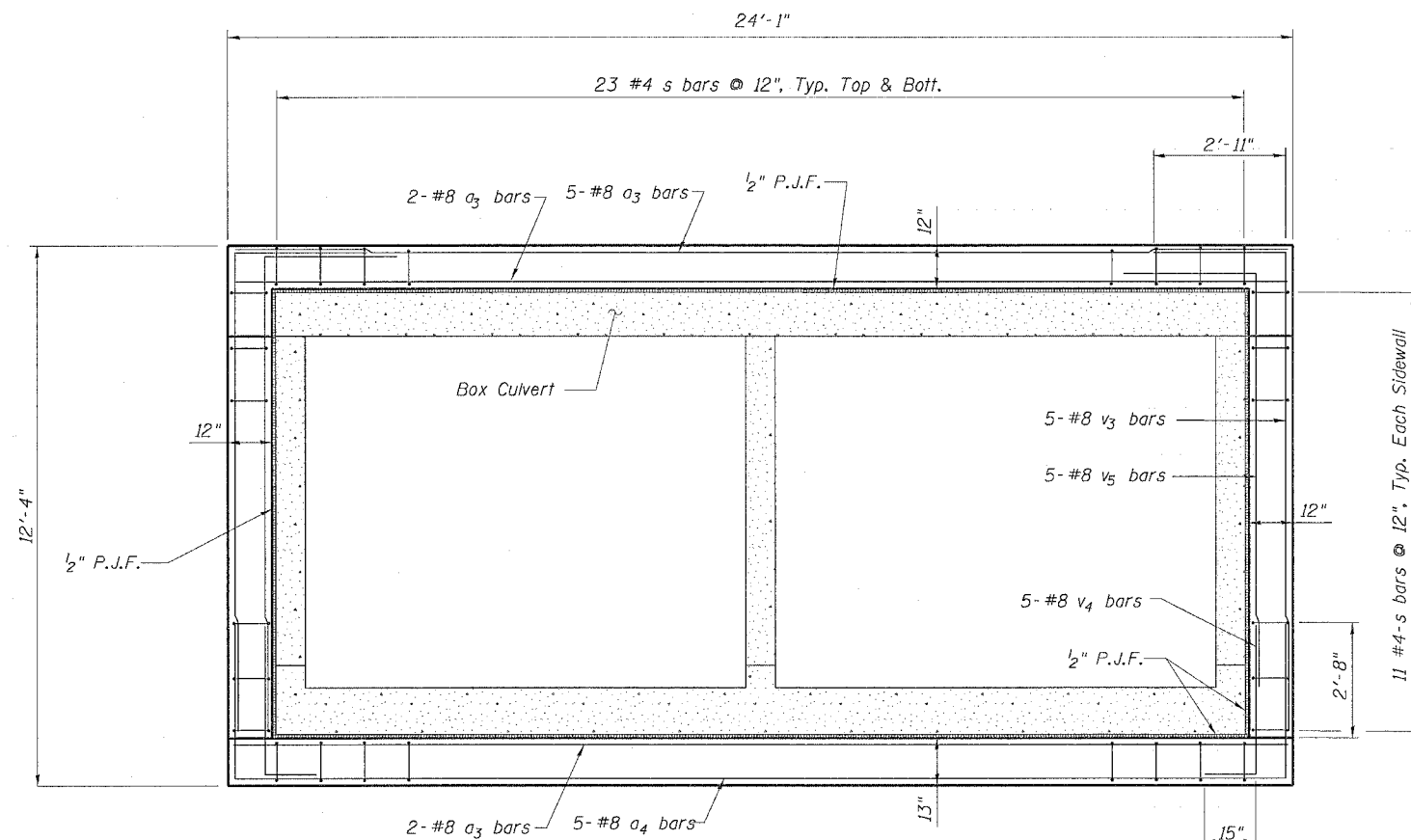
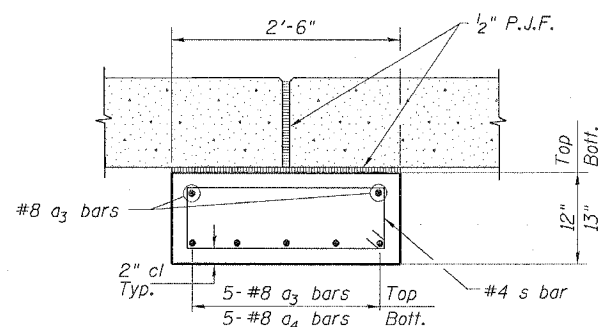


STATE OF ILLINOIS
DEPARTMENT OF TRANSPORTATION

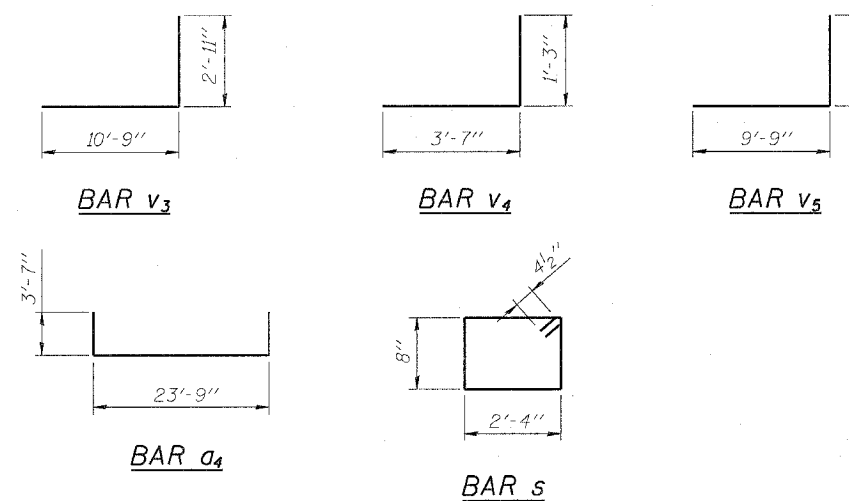
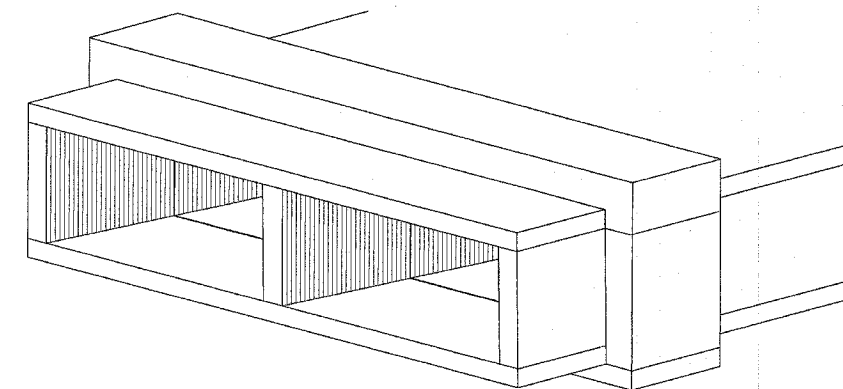
ROUTE NO.	SECTION	COUNTY	TOTAL SHEETS	SHEET NO.	SHEET NO. 5 7 SHEETS
F.A.P. 595	I-3-K	Rock Island	476	278	
FED. ROAD DIST. NO. 7	ILLINOIS	FED. AID PROJECT-			



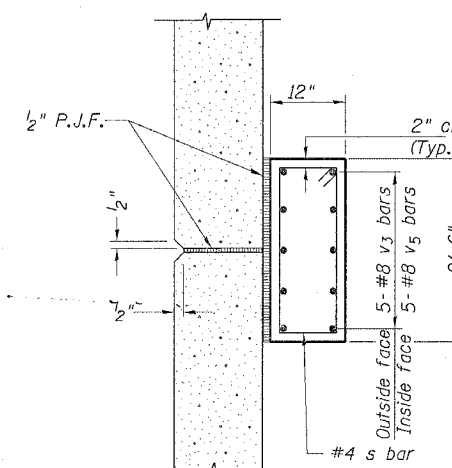
SECTION THRU BOX AT COLLAR



SECTION THRU TOP & BOTTOM SLAB



SECTION THRU SIDEWALL



SECTION THRU SIDEWALL

BILL OF MATERIAL
TWO SETTLEMENT COLLARS

Bar	No.	Size	Length	Shape
a ₃	18	#8	23'-9"	—
a ₄	10	#8	30'-11"	—
s	136	#4	6'-9"	□
v ₃	20	#8	13'-8"	—
v ₄	20	#8	4'-10"	—
v ₅	20	#8	12'-8"	—
Concrete Box Culverts			Cu. Yd.	13.0
Reinforcement Bars			Pound	4,260

SETTLEMENT COLLAR DETAILS

52ND AVENUE EXTENSION
OVER AN UNNAMED STREAM
FAU ROUTE 5822 SECTION 1-3
ROCK ISLAND COUNTY
STATION 1155+00
STRUCTURE NO. 081-2035

DESIGNED	JDC
CHECKED	BDF
DRAWN	RAP
CHECKED	BDF