

DISTRICT STANDARDS

F.A.P. RTE.	SECTION	COUNTY	TOTAL SHEETS	SHEET NO.
595	1-3-K	ROCK ISLAND	476	317
STA.		TO STA.		
FED. ROAD DIST. NO.		ILLINOIS FED. AID PROJECT		

TREE REPLACEMENT SCHEDULE

F.A. RTE.	SECTION	COUNTY	YEAR SHEETS	SHEET NO.
STA.		TO STA.		
FED. ROAD DIST. NO.		ILLINOIS FED. AID PROJECT		

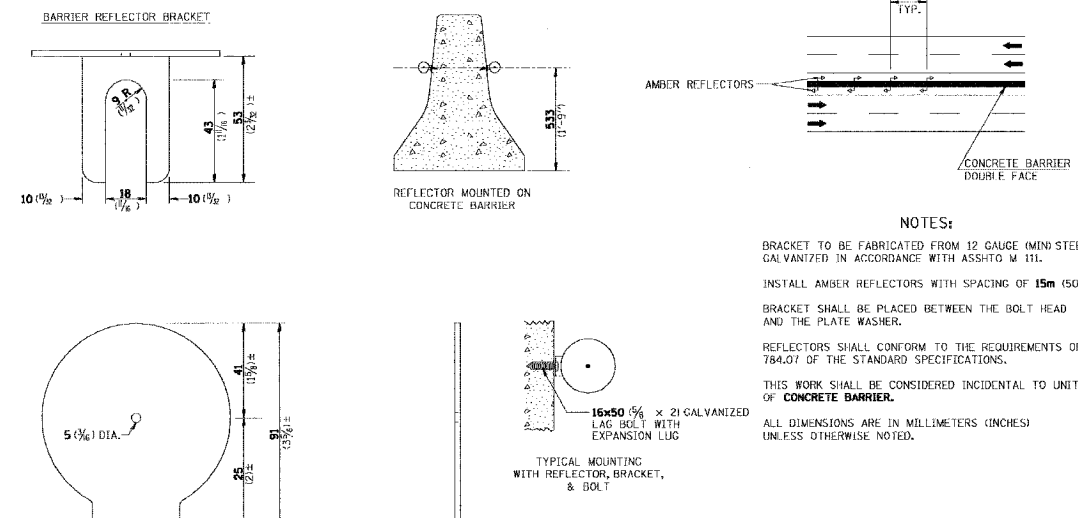
SCIENTIFIC NAME	COMMON NAME	SIZE	UNIT	LOCATION	QUANTITY

ALL DIMENSIONS ARE IN MILLIMETERS (INCHES) UNLESS OTHERWISE NOTED.

5-15-91 **90.4**

Tue Nov 04 09:56:26 2003
c:\p1\ref\std\std\trn\trn14.dgn

BARRIER REFLECTORS



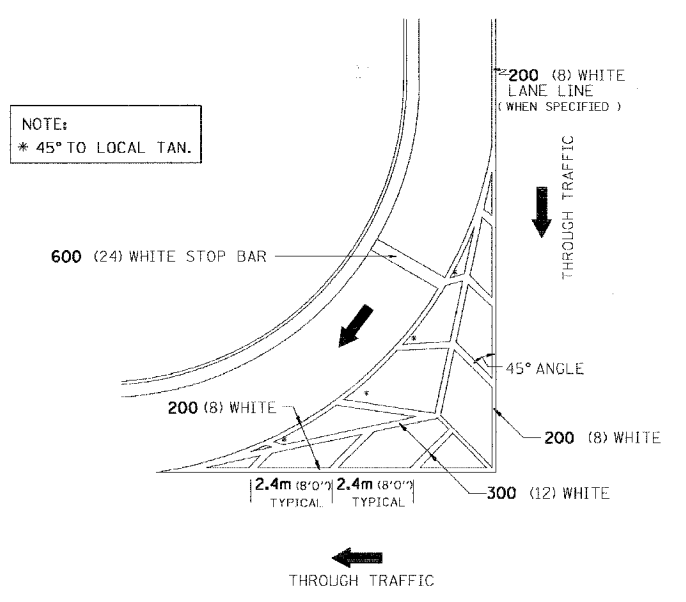
NOTES:
 BRACKET TO BE FABRICATED FROM 12 GAUGE (MIN) STEEL GALVANIZED IN ACCORDANCE WITH ASSHTO M 111.
 INSTALL AMBER REFLECTORS WITH SPACING OF 15m (50') CENTERS.
 BRACKET SHALL BE PLACED BETWEEN THE BOLT HEAD AND THE PLATE WASHER.
 REFLECTORS SHALL CONFORM TO THE REQUIREMENTS OF SECTION 784.07 OF THE STANDARD SPECIFICATIONS.
 THIS WORK SHALL BE CONSIDERED INCIDENTAL TO UNIT COST OF CONCRETE BARRIER.
 ALL DIMENSIONS ARE IN MILLIMETERS (INCHES) UNLESS OTHERWISE NOTED.

BARRIER REFLECTORS
STANDARD 92.4

Tue Nov 04 09:56:27 2003
c:\p1\ref\std\std\trn\trn14.dgn

TYPICAL MARKING FOR PAINTED ISLANDS

F.A. RTE.	SECTION	COUNTY	TOTAL SHEETS	SHEET NO.
STA.		TO STA.		
FED. ROAD DIST. NO. 7		ILLINOIS FED. AID PROJECT		

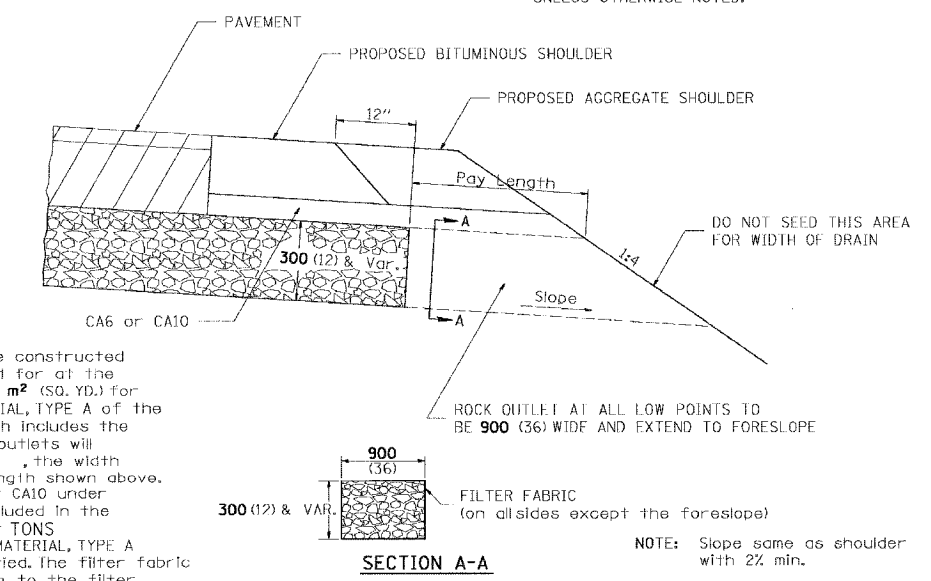


ALL DIMENSIONS ARE IN MILLIMETERS (INCHES) UNLESS OTHERWISE NOTED.

TYPICAL MARKING FOR PAINTED ISLANDS
 1/18/96 **93.4**

DRAIN FOR AGGREGATE BASE COURSE

F.A. RTE.	SECTION	COUNTY	TOTAL SHEETS	SHEET NO.
STA.		TO STA.		
FED. ROAD DIST. NO.		ILLINOIS FED. AID PROJECT		



NOTES:
 The rock outlets shall be constructed using CA7 and will be paid for at the contract unit price per m² (SQ. YD.) for SUB-BASE GRANULAR MATERIAL, TYPE A of the thickness specified which includes the filter fabric. The Rock outlets will be measured in TONS, the width being 900 (36) by the length shown above. The cost of the CA6 or CA10 under the shoulder shall be included in the contract unit price per TONS for SUB-BASE GRANULAR MATERIAL, TYPE A of the thickness specified. The filter fabric to be used shall conform to the filter fabric used for Riprap.

NOTE: Slope same as shoulder with 2% min.

REVISED 13-JULY-95 **96.4**

Tue Nov 04 09:56:28 2003
c:\p1\ref\std\std\trn\trn14.dgn