

04-22-2016 LETTING ITEM 054

STATE OF ILLINOIS
DEPARTMENT OF TRANSPORTATION
DIVISION OF HIGHWAYS

PROPOSED HIGHWAY PLANS

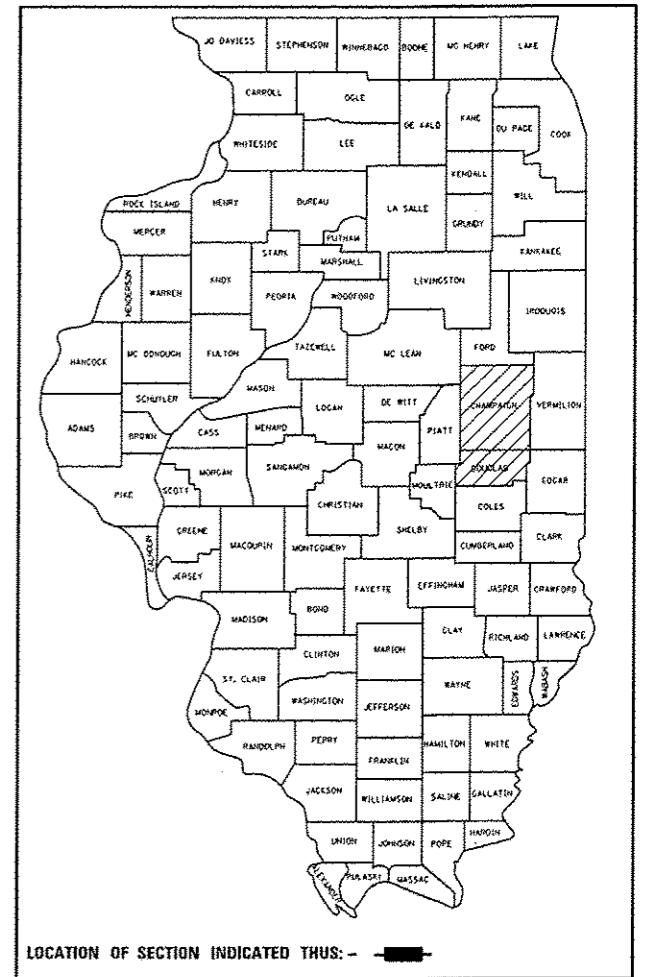
F.A.P. ROUTE 749 & F.A.S. ROUTE 533
(IL 133 & MARKET STREET)
SECTION D5 CM PATCHING 2016-1
PATCHING
DOUGLAS & CHAMPAIGN COUNTIES

C-95-058-15

F.A. RTE.	SECTION	COUNTY	TOTAL SHEETS	SHEET NO.
**	D5 CM PATCHING 2016-1	*	10	1
ILLINOIS			CONTRACT NO. 70B59	

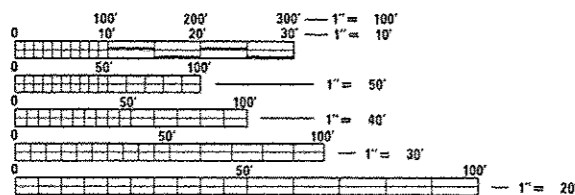
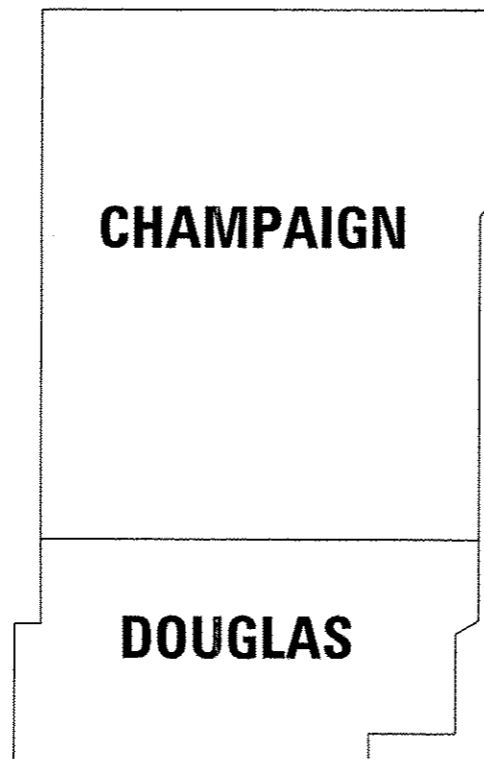
*DOUGLAS & CHAMPAIGN
**F.A.P. 749 & F.A.S. 533

D-95-058-15



FOR INDEX OF SHEETS, SEE SHEET NO. 2
FOR LOCATION MAPS, SEE SHEETS NO. 3
FOR SUMMARY OF QUANTITIES, SEE SHEETS NO. 9-11

CURRENT ADT
SEE LOCATION MAPS



FULL SIZE PLANS HAVE BEEN PREPARED USING STANDARD ENGINEERING SCALES. REDUCED SIZED PLANS WILL NOT CONFORM TO STANDARD SCALES. IN MAKING MEASUREMENTS ON REDUCED PLANS, THE ABOVE SCALES MAY BE USED.

J.U.L.I.E.
JOINT UTILITY LOCATION INFORMATION FOR EXCAVATION
1-800-892-0123
OR 811

PROJECT ENGINEER: NANCY FASIG
SQUAD LEADER: STEVE COOMBES
PHONE: 217-465-4181
CONTRACT NO. 70B59

GROSS LENGTH = 521,190.95 FT. = 98.710 MILE
NET LENGTH = 485,790.95 FT. = 92.006 MILE

STATE OF ILLINOIS
DEPARTMENT OF TRANSPORTATION
DIVISION OF HIGHWAYS

SUBMITTED January 26 2016
[Signature]
DEPUTY DIRECTOR OF HIGHWAYS, REGION 3 ENGINEER

March 10 2016
[Signature]
ENGINEER OF DESIGN AND ENVIRONMENT

March 10 2016
[Signature]
DIRECTOR OF HIGHWAYS, CHIEF ENGINEER

PRINTED BY THE AUTHORITY
OF THE STATE OF ILLINOIS

INDEX OF SHEETS

SHEET NO.	DESCRIPTION
1	COVER SHEET
2	INDEX OF SHEETS & LIST OF HIGHWAY STANDARDS
2	GENERAL NOTES
3	LOCATION MAPS
4	SUMMARY OF QUANTITIES
5-7	EXISTING TYPICAL CROSS SECTIONS
8-10	SCHEDULE OF QUANTITIES

GENERAL NOTES

G.N.-100
ENGLISH UNITS OF MEASUREMENT SHALL GOVERN OVER AND SUPERSEDE ANY METRIC UNITS SHOWN IN THIS CONTRACT. WHERE INCLUDED, METRIC UNITS ARE FOR INFORMATION ONLY.

G.N.-100A
ELECTRONIC FILES AND/OR ELECTRONIC SURVEY INFORMATION INCLUDING CADD FILES WILL NOT BE AVAILABLE TO THE CONTRACTOR.

G.N.-442B – PATCHING SCHEDULES
THE PATCHING SCHEDULES INCLUDED IN THE PLANS REPRESENT THE BEST INFORMATION AVAILABLE AT THE TIME OF COMPLETION OF THE PLANS FOR LETTING. VARIATIONS IN LOCATION AND SIZES OF BOTH FULL-DEPTH AND PARTIAL-DEPTH PATCHES MAY OCCUR.

G.N.-1004.01
COARSE AGGREGATE GRADATION CA-10 MAY BE USED WHENEVER COARSE AGGREGATE CA-6 IS SPECIFIED IN THE STANDARD SPECIFICATIONS.

COMMITMENTS:
THERE ARE NO COMMITMENTS FOR THIS CONTRACT.

LIST OF STANDARDS

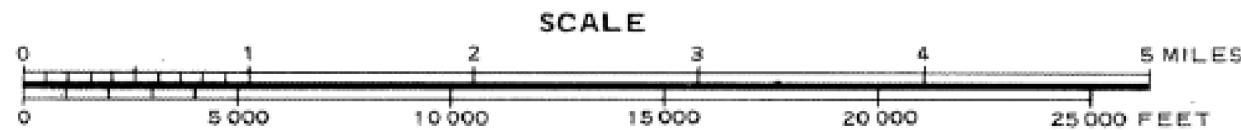
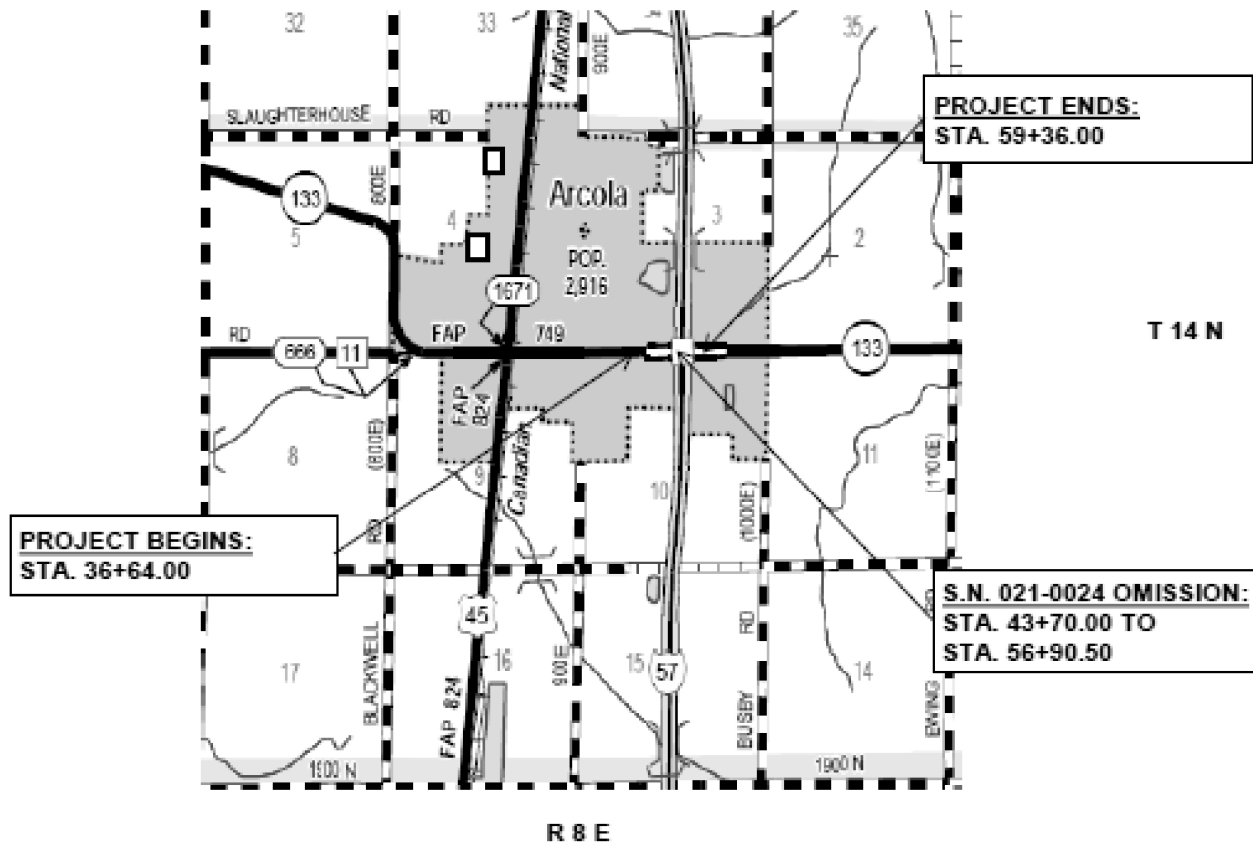
STANDARD NO.	DESCRIPTION
000001-06	STANDARD SYMBOLS, ABBREVIATIONS AND PATTERNS
001001-02	AREAS OF REINFORCEMENT BARS
001006	DECIMAL OF AN INCH AND OF A FOOT
420001-08	PAVEMENT JOINTS
420701-03	PAVEMENT WELDED WIRE REINFORCEMENT
421001-03	BAR REINFORCEMENT FOR CRC PAVEMENT
442001-04	CLASS A PATCHES
442101-07	CLASS B PATCHES
442201-03	CLASS C AND D PATCHES
701201-04	LANE CLOSURE, 2L, 2W, DAY ONLY, FOR SPEEDS >= 45 M.P.H.
701301-04	LANE CLOSURE, 2L, 2W, SHORT TIME OPERATIONS
701502-06	URBAN LANE CLOSURE, 2L, 2W, WITH BIDIRECTIONAL LEFT TURN LANE
701901-05	TRAFFIC CONTROL DEVICES

*DOUGLAS & CHAMPAIGN
**F.A.P. 749 & F.A.S. 533

FILE NAME =	USER NAME = ceombessf	DESIGNED -	REVISED -	STATE OF ILLINOIS DEPARTMENT OF TRANSPORTATION	INDEX OF SHEETS, LIST OF STANDARDS & GENERAL NOTES	F.A. RTE.	SECTION	COUNTY	TOTAL SHEETS	SHEET NO.
p:\11.284EBI\INTEG\Illinois.gov\PI\DOT\Documents\1007_Offices\District 5\Proje\cta\087	DRAWING\Design\0870859-shr-plan.dgn	CHECKED -	REVISED -	SCALE:	SHEET 1 OF 1 SHEETS	**	05 CM PATCHING 2016-1	*	10	2
#MODELNAME#	PLOT SCALE = 40.0000' / 1" /	DATE -	REVISED -	STA. TO STA.		ILLINOIS FED. AID PROJECT CONTRACT NO. 70B59				

LOCATION MAP #1
F.A.P. 749 (IL 133)

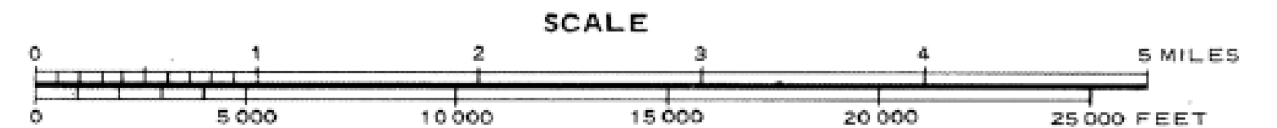
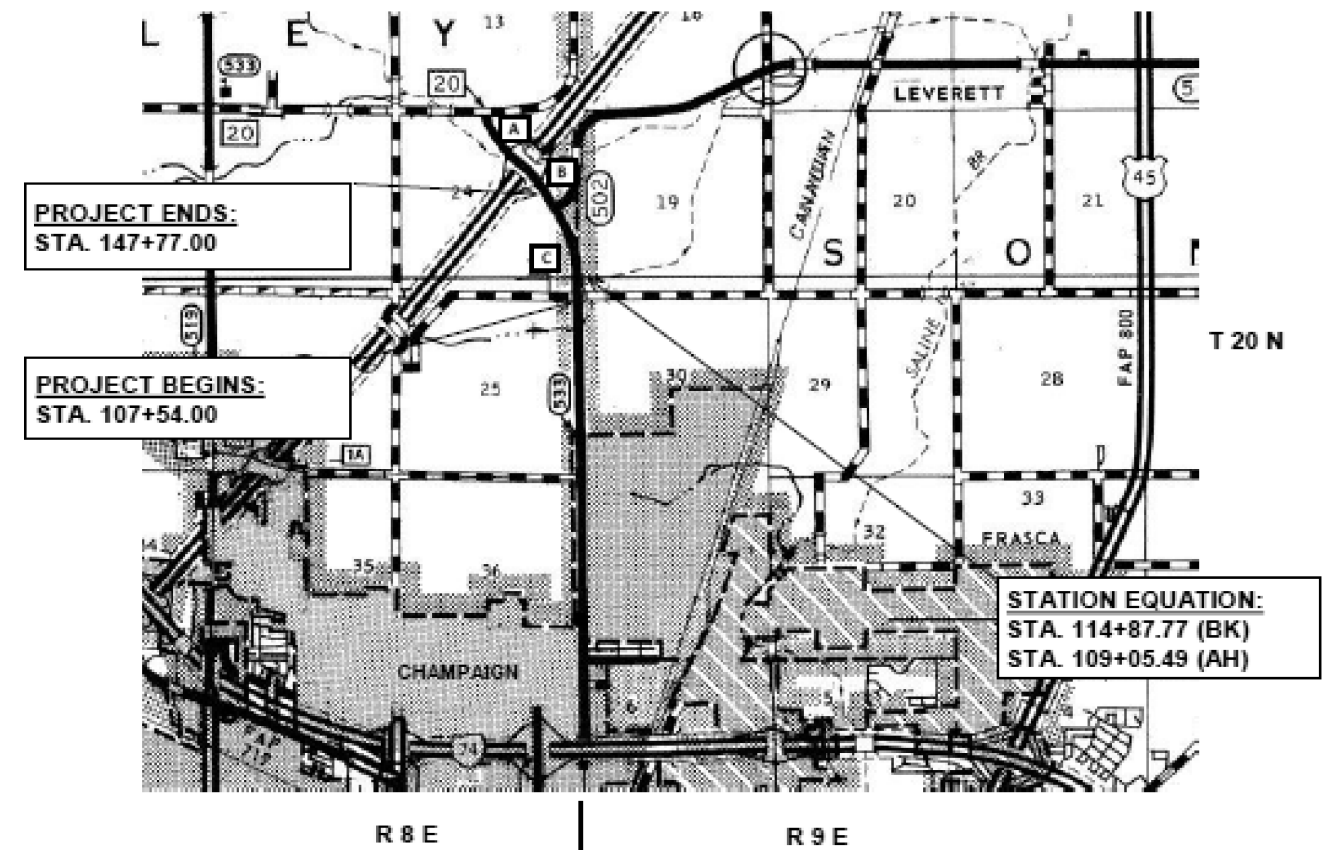
CURRENT ADT = 6,100



LENGTH OF LOCATION #1 = 2,272.00 FT. = 0.430 MILE
NET LENGTH OF LOCATION #1 = 951.50 FT. = 0.180 MILE

LOCATION MAP #2
F.A.S. 533 (MARKET ST)

CURRENT ADT = 5,900



LENGTH OF LOCATION #2 = 4,023.00 FT. = 0.762 MILE
NET LENGTH OF LOCATION #2 = 4,023.00 FT. = 0.762 MILE

•DOUGLAS & CHAMPAIGN
•F.A.P. 749 & F.A.S. 533

FILE NAME =	USER NAME = coombessf	DESIGNED -	REVISED -
p:\IL\084EBIDINTEG\illinois.gov\PI\DOT\Documents\DOT Offices\District 5\Projects\057\Drawings\Design\0570859-shr-plan.dgn		CHECKED -	REVISED -
\$MODELNAME\$	PLOT DATE = 1/15/2016	DATE -	REVISED -

STATE OF ILLINOIS
DEPARTMENT OF TRANSPORTATION

LOCATION MAPS

SCALE: SHEET 1 OF 1 SHEETS STA. TO STA.

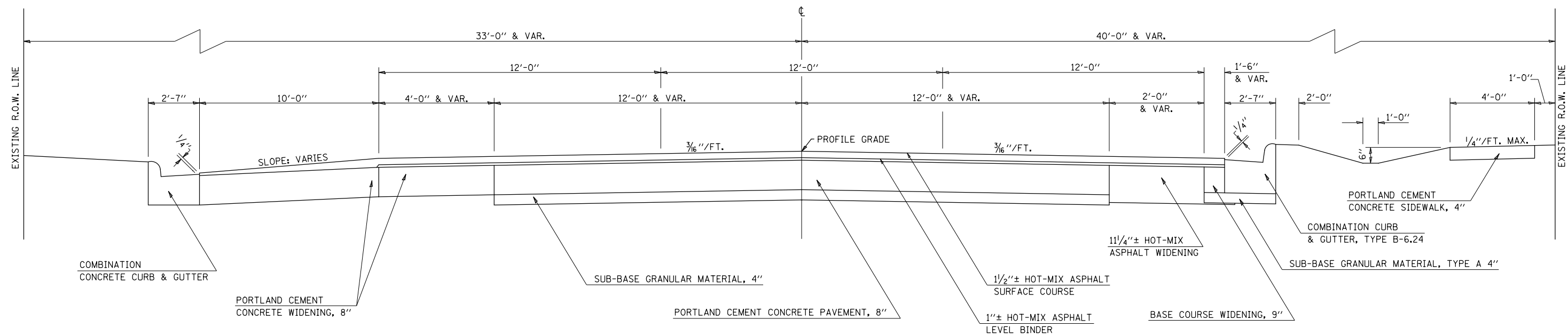
F.A. RTE.	SECTION	COUNTY	TOTAL SHEETS	SHEET NO.
••	D5 CM PATCHING 2016-1	•	10	3
			CONTRACT NO. 70B59	
ILLINOIS FED. AID PROJECT				

① EXISTING TYPICAL CROSS SECTION

LOCATION #1

F.A.P. 749 (IL 133)

STATION TO STATION
36+64.00 TO 38+10.00 ②



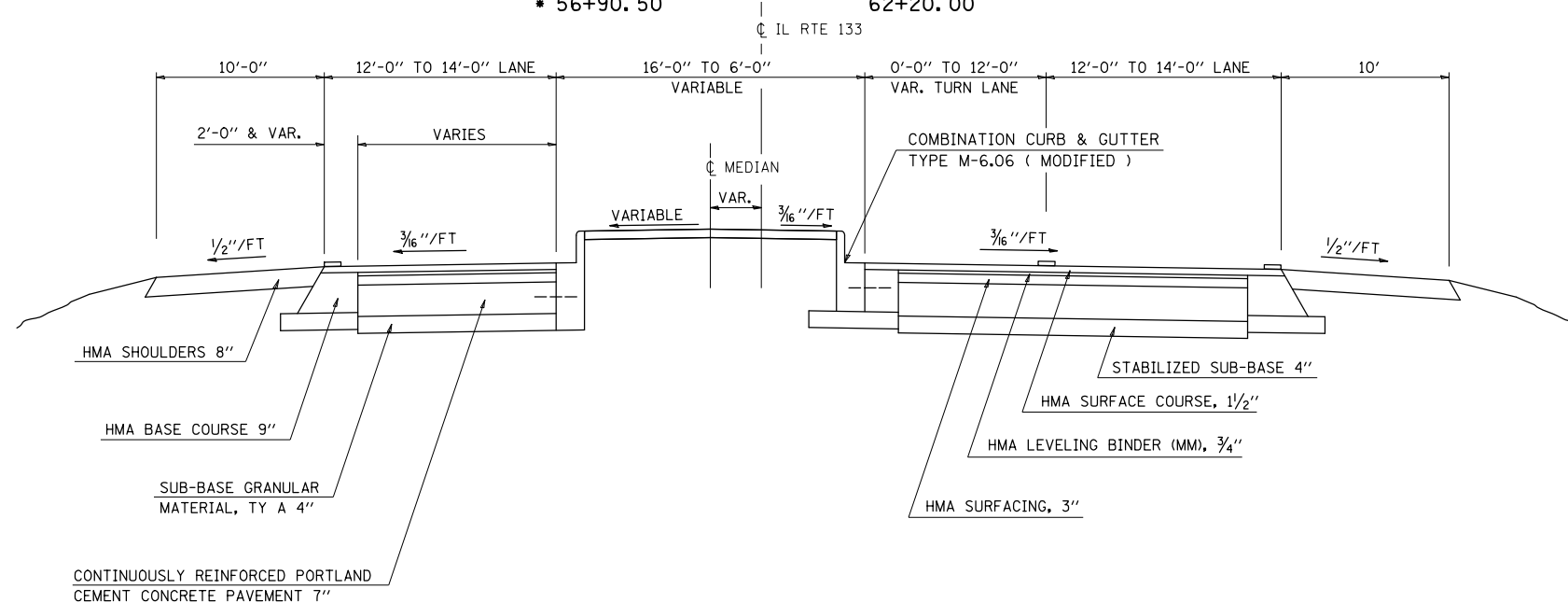
② EXISTING TYPICAL CROSS SECTION

LOCATION #1

F.A.P. 749 (IL 133)

* OMISSION 43+70.00 TO 56+90.50

STATION TO STATION
① 38+10.00 TO 43+70.00 *
* 56+90.50 TO 62+20.00



•DOUGLAS & CHAMPAIGN
•F.A.P. 749 & F.A.S. 533

FILE NAME =	USER NAME = coombessf	DESIGNED -	REVISED -
p:\IL\084EBIDINTEG.illinois.gov\PIWIDOT\Documents\IDOT Offices\District 5\Projects\05757\DRAWING\Design\0570859-shr-plan.dgn		REVISOR -	REVISED -
	PLOT SCALE = 40.0000' / in.	CHECKED -	REVISED -
#MODELNAME#	PLOT DATE = 1/15/2016	DATE -	REVISED -

STATE OF ILLINOIS
DEPARTMENT OF TRANSPORTATION

TYPICAL CROSS SECTIONS

SCALE: SHEET OF SHEETS STA. TO STA.

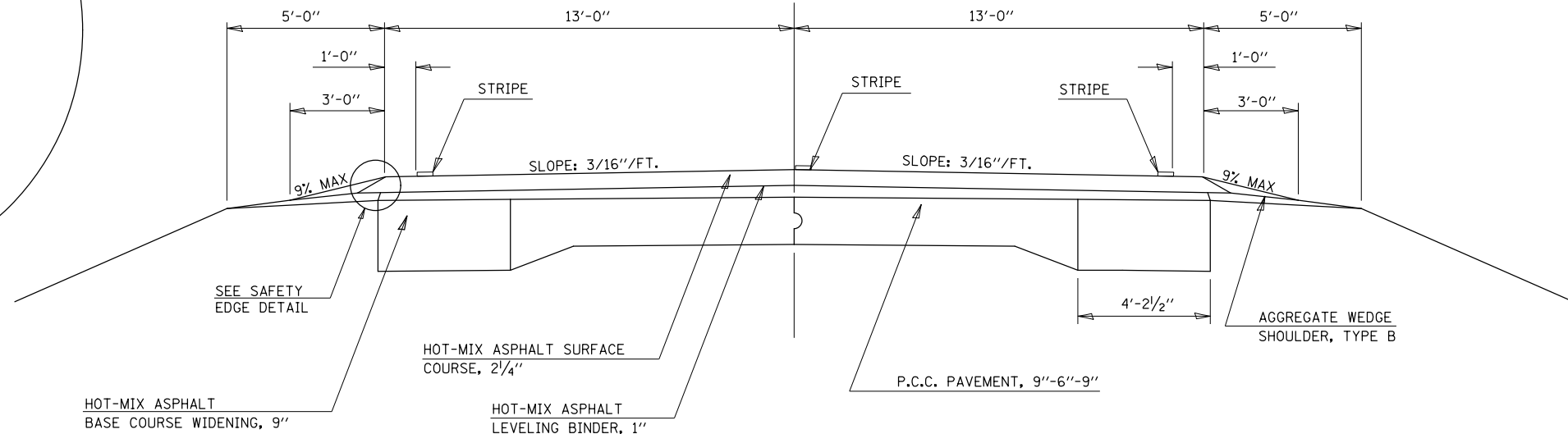
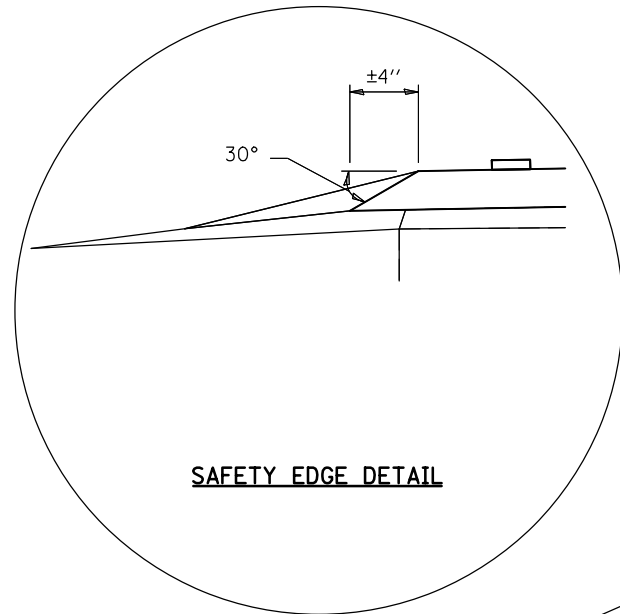
F.A. RTE.	SECTION	COUNTY	TOTAL SHEETS	SHEET NO.
VAR.	D5 CM PATCHING 2016-1	*	10	5
CONTRACT NO. 70B59				
ILLINOIS FED. AID PROJECT				

③ EXISTING TYPICAL CROSS SECTION

LOCATION #2

F.A.S. 533 (MARKET ST.)

STATION TO STATION
106+50.00 TO 113+86.00 ④

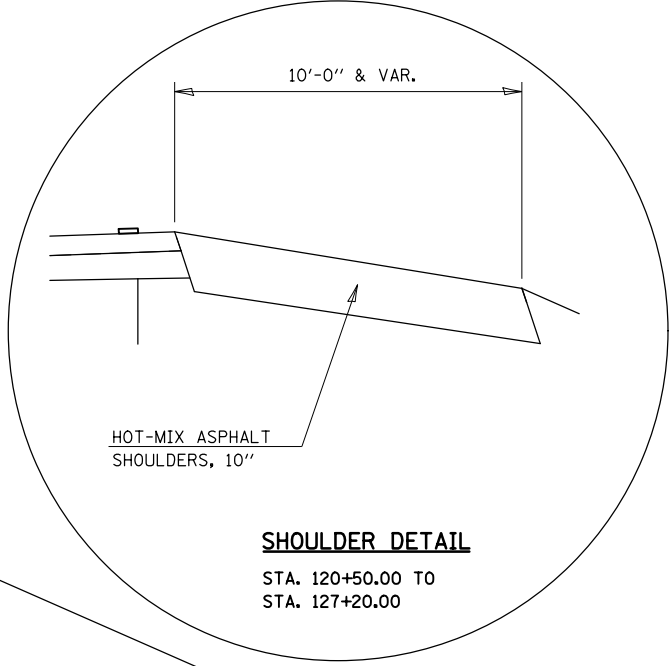
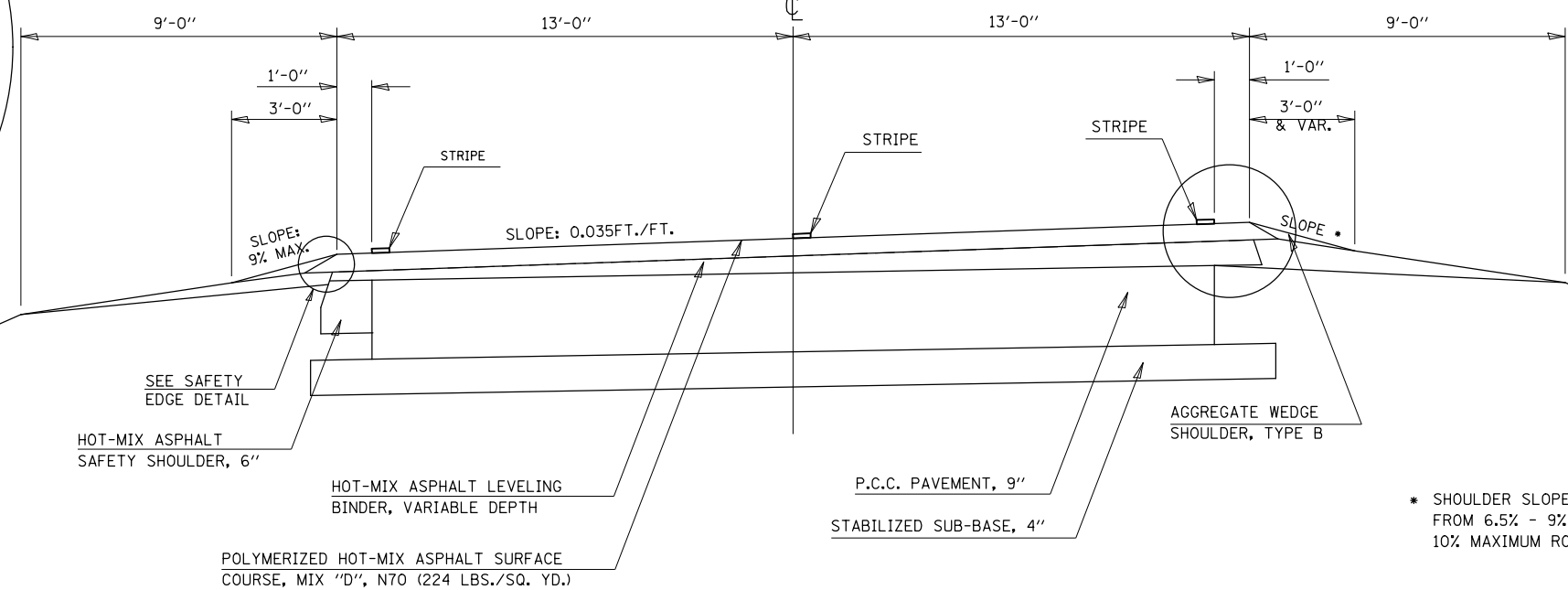
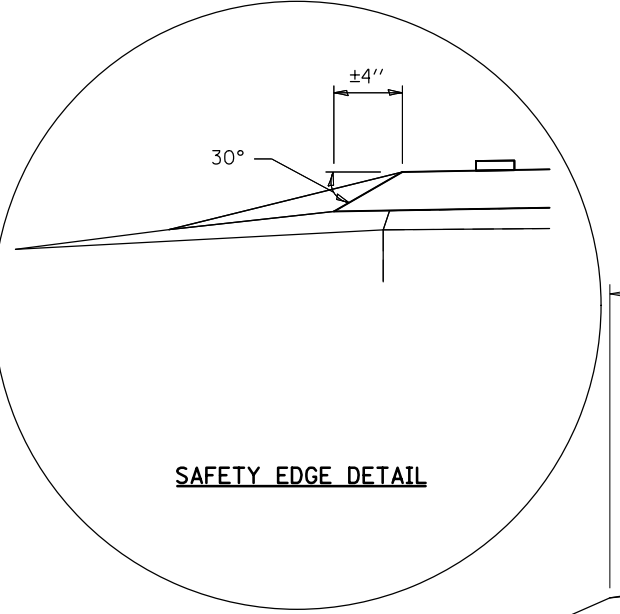


④ EXISTING TYPICAL CROSS SECTION

LOCATION #2

F.A.S. 533 (MARKET ST.)

STATION TO STATION
③ 113+86.00 TO 114+87.77 (BK)
109+05.49 (AH) TO 133+78.69 ⑤



* SHOULDER SLOPE THROUGH SUPERELEVATION VARIES FROM 6.5% - 9% MAXIMUM SLOPE TO MAINTAIN 10% MAXIMUM ROLLOVER CRITERIA.

•DOUGLAS & CHAMPAIGN
•F.A.P. 749 & F.A.S. 533

FILE NAME =	USER NAME = coombessf	DESIGNED -	REVISED -
p:\11\084EBID\INTEG\illinois.gov\PI\DOT\Documents\DOT Offices\District 5\Projects\057\Drawings\Design\0570859-shr-plan.dgn		REVISIONS	REVISED -
	PLOT SCALE = 40.0000' / in.	CHECKED -	REVISED -
#MODELNAME#	PLOT DATE = 1/15/2016	DATE -	REVISED -

STATE OF ILLINOIS
DEPARTMENT OF TRANSPORTATION

SCALE:		SHEET OF SHEETS		STA.	TO STA.

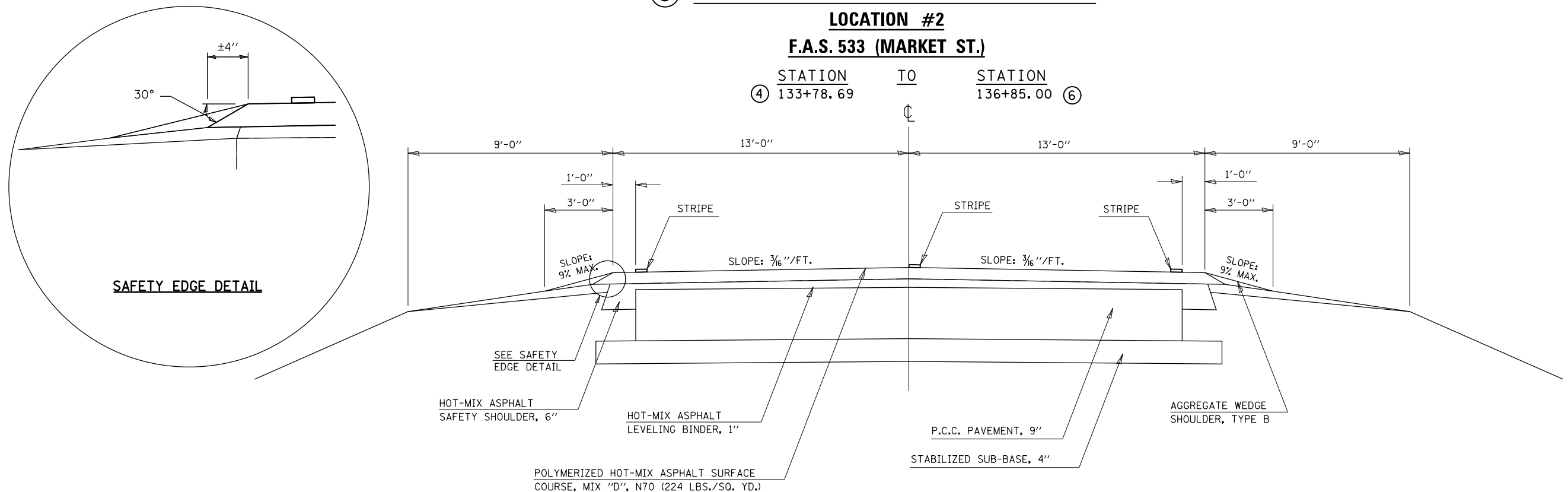
F.A. RTE.	SECTION	COUNTY	TOTAL SHEETS	SHEET NO.
VAR.	D5 CM PATCHING 2016-1	*	10	6
CONTRACT NO. 70B59				
ILLINOIS FED. AID PROJECT				

⑤ EXISTING TYPICAL CROSS SECTION

LOCATION #2

F.A.S. 533 (MARKET ST.)

STATION ④ 133+78.69 TO STATION 136+85.00 ⑥

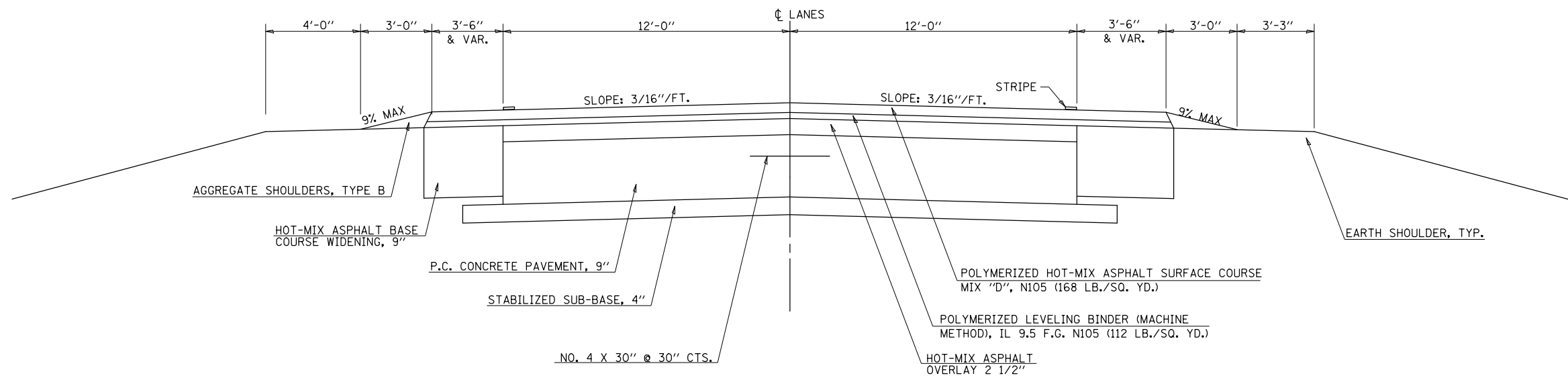


⑥ EXISTING TYPICAL CROSS SECTION

LOCATION #2

F.A.S. 533 (MARKET ST.)

STATION ⑤ 136+85.00 TO STATION 141+86.20 (APPROACH)
(APPROACH) 144+70.21 147+77.00



•DOUGLAS & CHAMPAIGN
•F.A.P. 749 & F.A.S. 533

FILE NAME =	USER NAME = coombessf	DESIGNED -	REVISED -	STATE OF ILLINOIS DEPARTMENT OF TRANSPORTATION	TYPICAL CROSS SECTIONS				F.A. RTE.	SECTION	COUNTY	TOTAL SHEETS	SHEET NO.	
p:\11\084EBIDINTEG.illinois.gov\PIWIDOT\Documents\IDOT Offices\District 5\Projects\057\DRAWING\Design\0570859-shr-plan.dgn		REVISIONS	REVISIONS		SCALE:	SHEET	OF	SHEETS	STA.	TO STA.	VAR.	D5 CM PATCHING 2016-1	10	7
		CHECKED -	REVISIONS									CONTRACT NO. 70B59		
#MODELNAME#	PLOT DATE = 1/15/2016	DATE -	REVISIONS									ILLINOIS FED. AID PROJECT		

SCHEDULE OF QUANTITIES (LOCATION #1)

F.A.P 749 (IL 133) CLASS B 11" PATCHING								
STATION	DIRECTION	LENGTH	WIDTH	PATCH AREA		DOWEL BARS	SAW CUTS	WELDED WIRE REINFORCEMENT
				TYPE II 11.0" 44200982 (SQ YD)	TYPE III 11.0" 44200986 (SQ YD)			
		(FT)	(FT)			1 1/2" 44201299 (EACH)	(FT)	44200050 (SQ YD)
36+64.00	W.B.	12	13	-	17.3	22	75.0	17.3
36+87.00	W.B.	12	13	-	17.3	22	75.0	17.3
37+14.00	W.B.	12	13	-	17.3	22	75.0	17.3
37+39.00	W.B.	6	13	8.7	-	22	57.0	-
CLASS B, 11" PATCHING TOTALS (USE)				9.0 (SQ YD)	52.0 (SQ YD)	88.0 (EACH)	282.0 (FT)	52.0 (SQ YD)

F.A.P. 749 (IL 133) CLASS A 12" PATCHING									
STATION	DIRECTION	LENGTH	WIDTH	PATCH AREA			SAW CUTS	TIE BARS 3/4"	PATCHING REINFORCEMENT
				TYPE II 12.0" 44200577 (SQ YD)	TYPE III 12.0" 44200581 (SQ YD)	TYPE IV 12.0" 44200583 (SQ YD)			
		(FT)	(FT)				(FT)	(EACH)	(SQ YD)
38+69.00	E.B.	35	13			50.6	157.0	35	50.6
40+17.00	W.B.	10	13	14.4			82.0		14.4
40+62.00	W.B.	20	13			28.9	112.0	20	28.9
41+10.00	E.B.	10	13	14.4			82.0		14.4
56+28.00	E.B.	12	13		17.3		88.0		17.3
59+36.00	W.B.	60	13			86.7	232.0	60	86.7
CLASS A, 12" PATCHING TOTALS (USE)				29.0 (SQ YD)	18.0 (SQ YD)	166.0 (SQ YD)	753.0 (FT)	115.0 (EACH)	213.0 (SQ YD)

*DOUGLAS & CHAMPAIGN
**F.A.P. 749 & F.A.S. 533

FILE NAME =	USER NAME = coombessf	DESIGNED -	REVISED -	STATE OF ILLINOIS DEPARTMENT OF TRANSPORTATION	SCHEDULE OF QUANTITIES	F.A. RTE.	SECTION	COUNTY	TOTAL SHEETS	SHEET NO.
pw:\IL\084EBIDINTEG.illinois.gov\PIWIDOT\Documents\DOT Offices\District 5\Projects\0577\DRAWING\Design\05770859-shr-plan.dgn		CHECKED -	REVISED -			VAR.	D5 CM PATCHING 2016-1	*	10	8
\$MODELNAME\$	PLOT DATE = 1/15/2016	DATE -	REVISED -		SCALE:	SHEET 1 OF 1 SHEETS		STA.	TO STA.	
ILLINOIS FED. AID PROJECT										CONTRACT NO. 70B59

SCHEDULE OF QUANTITIES (LOCATION #2)

F.A.S. 533 (MARKET ST) CLASS C 13" PATCHING								
STATION	DIRECTION	LENGTH	WIDTH	PATCH AREA				TIE BARS FOR INFO ONLY NO PAYMENT (EACH)
				TYPE I 13.0" 44201385 (SQ YD)	TYPE II 13.0" 44201389 (SQ YD)	TYPE III 13.0" 44201394 (SQ YD)	TYPE IV 13.0" 44201396 (SQ YD)	
		(FT)	(FT)					
107+54.00	N.B.	6	7	4.7				
107+54.00	S.B.	6	13		8.7			
109+17.00	N.B.	6	13		8.7			
109+17.00	S.B.	6	13		8.7			
109+84.00	N.B.	6	13		8.7			
109+84.00	S.B.	6	13		8.7			
110+65.00	N.B.	6	13		8.7			
110+65.00	S.B.	6	13		8.7			
111+01.00	N.B.	6	13		8.7			
111+01.00	S.B.	8	13		11.6			
111+66.00	N.B.	6	13		8.7			
111+66.00	S.B.	6	13		8.7			
112+34.00	N.B.	6	13		8.7			
112+34.00	S.B.	6	13		8.7			
113+83.00	N.B.	6	13		8.7			
113+83.00	S.B.	6	13		8.7			
114+28.00	S.B.	10	13		14.4			
114+45.00	S.B.	8	13		11.6			
115+01.00	S.B.	6	13		8.7			
116+02.00	S.B.	6	13		8.7			
117+00.00	N.B.	6	13		8.7			
117+00.00	S.B.	12	13			17.3		
117+97.00	N.B.	6	13		8.7			
117+97.00	S.B.	6	13		8.7			
119+03.00	S.B.	6	13		8.7			
119+15.00	S.B.	6	13		8.7			
CLASS C, 13" PATCHING SUB-TOTALS				4.7 (SQ YD)	219.6 (SQ YD)	17.3 (SQ YD)	0.0 (SQ YD)	0.0 (EACH)

*DOUGLAS & CHAMPAIGN
**F.A.P. 749 & F.A.S. 533

FILE NAME =	USER NAME = coombessf	DESIGNED -	REVISED -	STATE OF ILLINOIS DEPARTMENT OF TRANSPORTATION	SCHEDULE OF QUANTITIES	F.A. RTE.	SECTION	COUNTY	TOTAL SHEETS	SHEET NO.	
p:\11\084EBIDINTEG.illinois.gov\PIWIDOT\Documents\DOT Offices\District 5\Projects\0579\DRAWING\0579\Design\0579\0859-shr-plan.dgn						REVISED -	VAR.	D5 CM PATCHING 2016-1	*	10	9
PLOT SCALE = 40.0000' / in.						CHECKED -	CONTRACT NO. 70B59				
PLOT DATE = 1/15/2016						DATE -	SCALE:	SHEET 1	OF 1	SHEETS	STA.
				REVISED -	ILLINOIS FED. AID PROJECT						

SCHEDULE OF QUANTITIES (LOCATION #2 CONT'D)

F.A.S. 533 (MARKET ST) CLASS C 13" PATCHING								
STATION	DIRECTION	LENGTH	WIDTH	PATCH AREA				TIE BARS FOR INFO ONLY NO PAYMENT (EACH)
				TYPE I 13.0" 44201385 (SQ YD)	TYPE II 13.0" 44201389 (SQ YD)	TYPE III 13.0" 44201394 (SQ YD)	TYPE IV 13.0" 44201396 (SQ YD)	
		(FT)	(FT)					
123+14.00	S.B.	6	13		8.7			
123+92.00	S.B.	6	13		8.7			
124+08.00	S.B.	6	13		8.7			
125+85.00	S.B.	6	13		8.7			
125+98.00	S.B.	6	13		8.7			
127+50.00	S.B.	6	13		8.7			
128+93.00	S.B.	6	13		8.7			
129+88.00	N.B.	6	13		8.7			
129+97.00	S.B.	6	13		8.7			
130+76.00	S.B.	10	13		14.4			
130+97.00	S.B.	6	13		8.7			
133+76.00	N.B.	6	13		8.7			
135+46.00	N.B.	40	6				26.7	20
136+58.00	N.B.	6	13		8.7			
136+58.00	S.B.	10	13		14.4			
136+90.00	N.B.	6	12		8.0			
137+00.00	S.B.	6	12		8.0			
138+00.00	N.B.	8	12		10.7			
140+92.00	S.B.	6	12		8.0			
146+16.00	S.B.	6	12		8.0			
146+27.00	N.B.	6	12		8.0			
146+43.00	N.B.	12	12			16.0		
147+25.00	N.B.	12	12			16.0		
147+54.00	N.B.	10	12		13.3			
147+77.00	N.B.	6	12		8.0			
147+77.00	S.B.	6	12		8.0			
CLASS C, 13" PATCHING SUB-TOTALS				0.0 (SQ YD)	212.9 (SQ YD)	32.0 (SQ YD)	26.7 (SQ YD)	20.0 (EACH)

	PATCH AREA				TIE BARS FOR INFO ONLY NO PAYMENT (EACH)
	TYPE I 13.0" 44201385 (SQ YD)	TYPE II 13.0" 44201389 (SQ YD)	TYPE III 13.0" 44201394 (SQ YD)	TYPE IV 13.0" 44201396 (SQ YD)	
CLASS C, 13" PATCHING TOTALS (USE)	5.0 (SQ YD)	433.0 (SQ YD)	50.0 (SQ YD)	27.0 (SQ YD)	20.0 (EACH)

*DOUGLAS & CHAMPAIGN
**F.A.P. 749 & F.A.S. 533