

STATE OF ILLINOIS
DEPARTMENT OF TRANSPORTATION
DIVISION OF HIGHWAYS
PROPOSED
CONTRACT MAINTENANCE

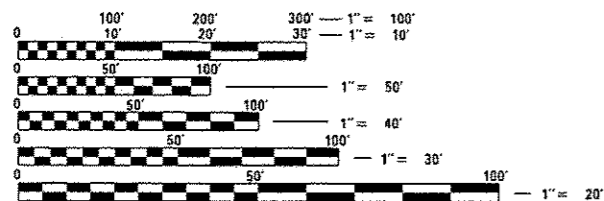
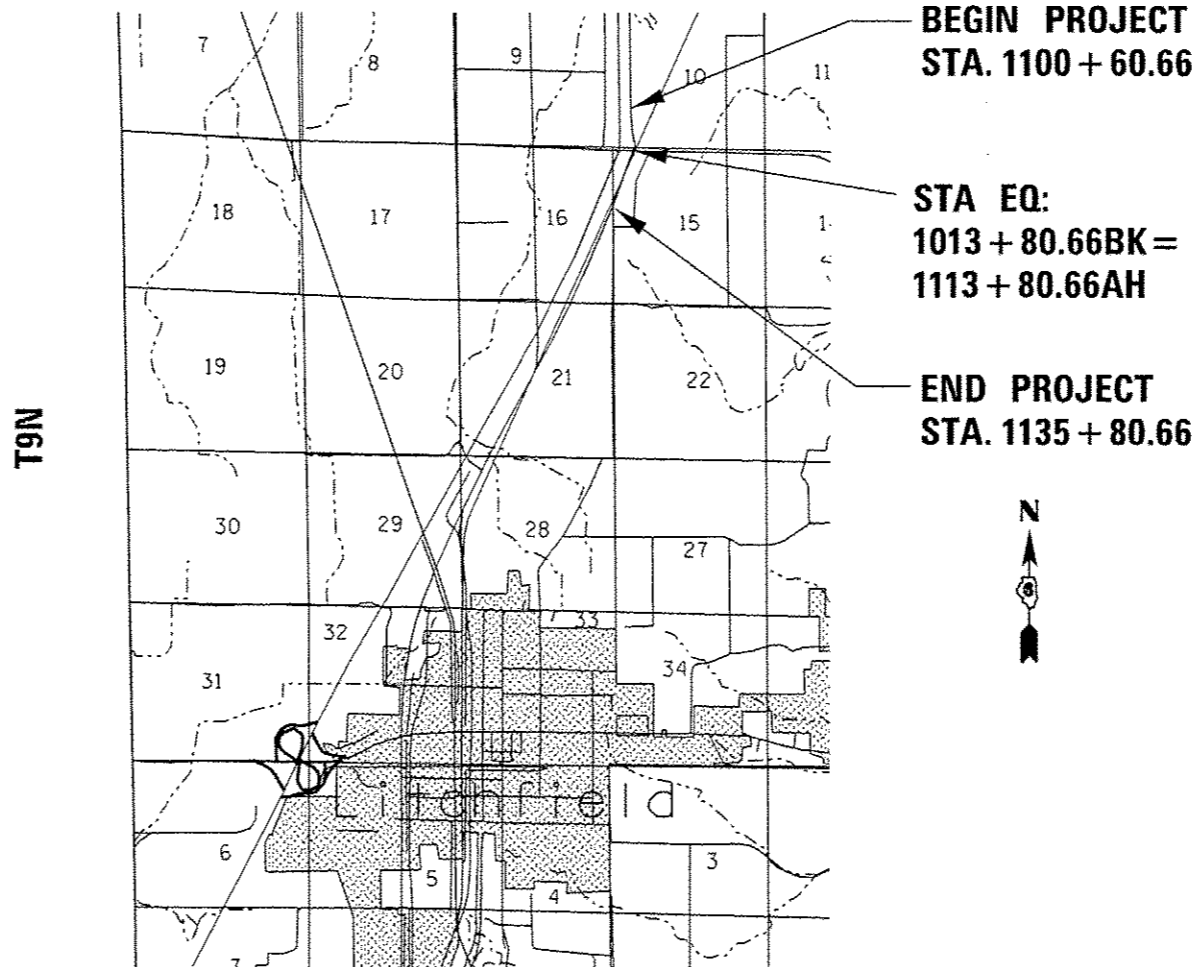
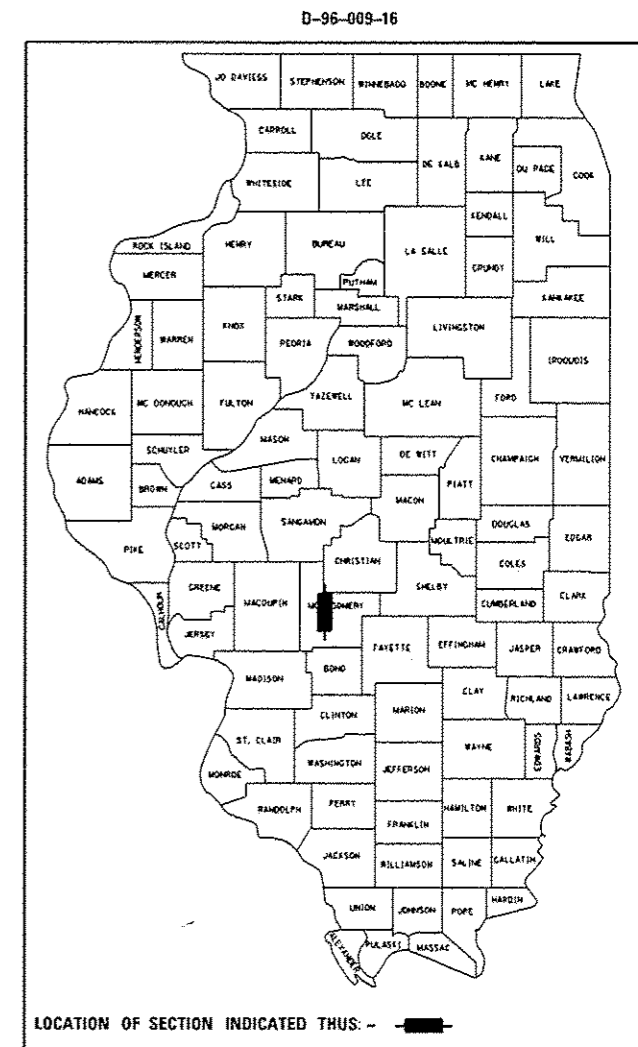
FAI 55, FAS 1768 (FR I-55 EAST)
SECTION (68-2) RS-7, I-4
MONTGOMERY COUNTY

C-96-009-16

FOR INDEX OF SHEETS, SEE SHEET NO. 2

ADT: 1800
SU = 190
MU = 40

F.A.S. RTE.	SECTION	COUNTY	TOTAL SHEETS	SHEET NO.
1768	(68-2) RS-7, I-4	MONTGOMERY	7	1
		ILLINOIS	CONTRACT NO. 72102	



FULL SIZE PLANS HAVE BEEN PREPARED USING STANDARD ENGINEERING SCALES. REDUCED SIZED PLANS WILL NOT CONFORM TO STANDARD SCALES. IN MAKING MEASUREMENTS ON REDUCED PLANS, THE ABOVE SCALES MAY BE USED.

J.U.L.I.E.
JOINT UTILITY LOCATION INFORMATION FOR EXCAVATION
1-800-892-0123
OR 811

PROJECT ENGINEER: MIKE IRWIN 217.524.7765
PROJECT MANAGER

CONTRACT NO. 72102

GROSS LENGTH = 3520.00 FT. = 0.66 MILE
NET LENGTH = 3520.00 FT. = 0.66 MILE

STATE OF ILLINOIS
DEPARTMENT OF TRANSPORTATION
DIVISION OF HIGHWAYS

SUBMITTED *February 11, 2016*
Ray Z. Omer
DEPUTY DIRECTOR OF HIGHWAYS, REGION ENGINEER

March 13, 2016
Maureen M. Addis, P.E.
ENGINEER OF DESIGN AND ENVIRONMENT

March 13, 2016
Omer Omer, P.E.
DIRECTOR OF HIGHWAYS, CHIEF ENGINEER

**PRINTED BY THE AUTHORITY
OF THE STATE OF ILLINOIS**

INDEX OF SHEETS

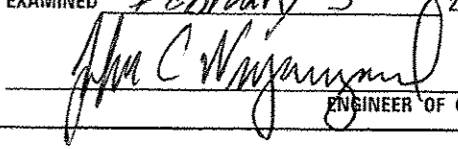


1. COVER
2. INDEX OF SHEETS, GENERAL NOTES, AND HIGHWAY STANDARDS
3. SUMMARY OF QUANTITIES
4. PLANS
5. TYPICAL SECTIONS
6. SCHEDULES
7. BUTT-JOINT DETAILS

HIGHWAY STANDARDS

- 701301-04 LANE CLOSURE, 2L, 2W, SHORT TIME OPERATIONS
 701306-03 LANE CLOSURE, 2L, 2W, SLOW MOVING OPERATIONS DAY ONLY, FOR SPEEDS > 45 MPH
 701311-03 LANE CLOSURE, 2L, 2W, MOVING OPERATIONS - DAY ONLY
 701901-05 TRAFFIC CONTROL DEVICES

GENERAL NOTES

1. ANY REFERENCE TO THE STANDARDS THROUGHOUT THE PLANS SHALL BE INTERPRETED TO BE THE LATEST STANDARDS OF THE DEPARTMENT AS INCLUDED IN THE PLANS.

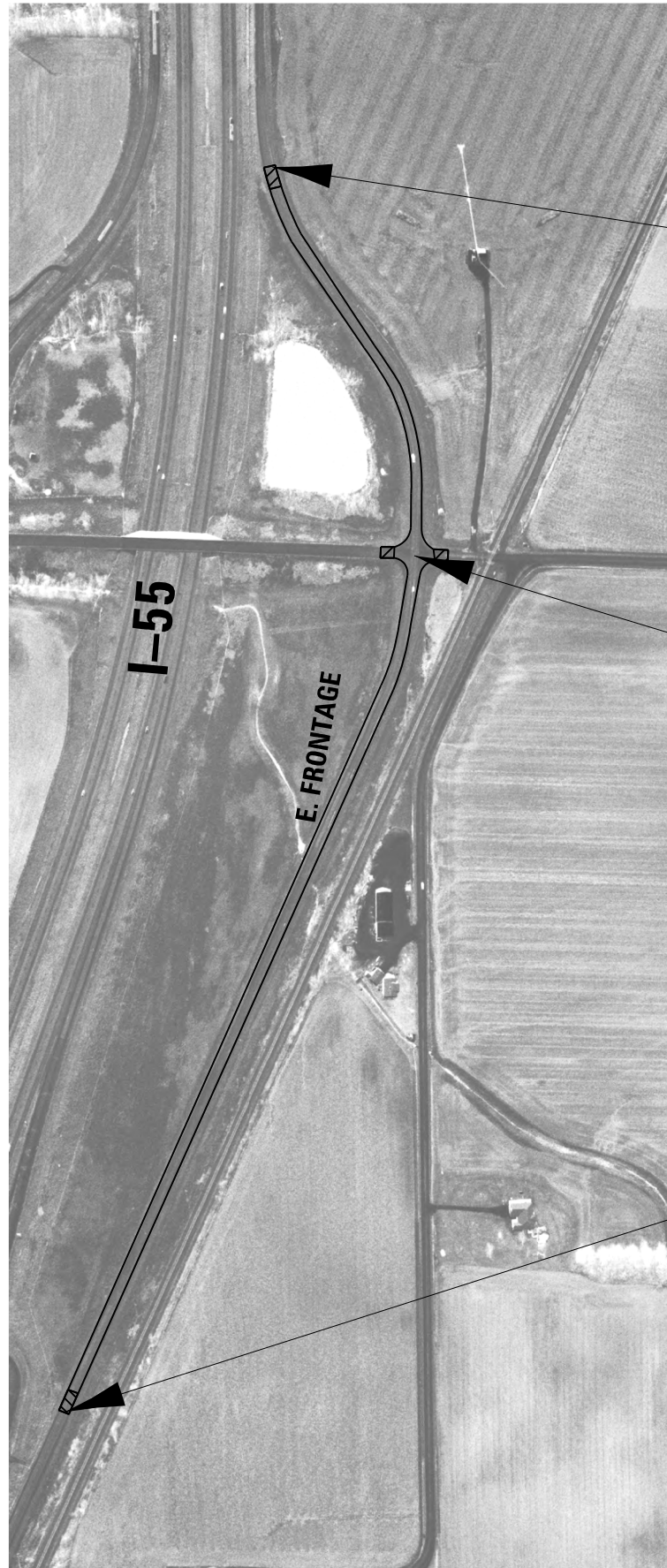
STATE OF ILLINOIS DEPARTMENT OF TRANSPORTATION DIVISION OF HIGHWAYS DISTRICT 6	
EXAMINED <u>February 5th 20 16</u>	
 ENGINEER OF OPERATIONS	
EXAMINED <u>January 25 20 16</u>	
 ENGINEER OF PROJECT IMPLEMENTATION	
EXAMINED <u>January 27 20 16</u>	
 ENGINEER OF PROGRAM DEVELOPMENT	

FILE NAME *	USER NAME * branhams	DESIGNED -	REVISED -	STATE OF ILLINOIS DEPARTMENT OF TRANSPORTATION	INDEX OF SHEETS, HIGHWAY STANDARDS AND GENERAL NOTES	F.A.S. RTE.	SECTION	COUNTY	TOTAL SHEETS	SHEET NO.	
S:\CONTRMINT_CA0\72102\ Litchfield Fr	age road\plans\72102 - sh12 - ganneta.dgn	DRAWN -	REVISED -			1768	(68-2) RS-7, I-4	MONTGOMERY	7	2	
	PLOT SCALE = 10.0391 / in.	CHECKED -	REVISED -			CONTRACT NO. 72102					
Default	PLOT DATE = 2/3/2016	DATE -	REVISED -			ILLINOIS FED. AID PROJECT					

CODE NO.	ITEM	UNIT	TOTAL QUANTITY	CONSTR. CODE	
				100% STATE	
				ROADWAY	
				0005	
				RURAL	
40600275	BITUMINOUS MATERIALS (PRIME COAT)	POUND	5280		5280
40600625	LEVELING BINDER (MACHINE METHOD), N50	TON	330		330
40600982	HOT-MIX ASPHALT SURFACE REMOVAL - BUTT JOINT	SO YD	100		100
40600990	TEMPORARY RAMPS	SO YD	70		70
40603310	HOT-MIX ASPHALT SURFACE COURSE, MIX "C", N50	TON	658		658
44200065	PAVEMENT PATCHING, TYPE II	SQ YD	250		250
48102100	AGGREGATE WEDGE SHOULDER, TYPE B	TON	200		200
44200069	PAVEMENT PATCHING, TYPE III	SQ YD	250		250
67100100	MOBILIZATION	L SUM	1		1
70100460	TRAFFIC CONTROL AND PROTECTION, STANDARD 701306	L SUM	1		1
* 78001120	PAINT PAVEMENT MARKING, LINE - 5"	FOOT	14080		14080
70300100	SHORT TERM PAVEMENT MARKING	FOOT	352		352
// 70301000	WORK-ZONE PAVEMENT MARKING REMOVAL	SO FT	118		118
70300150	SHORT TERM PAVEMENT MARKING REMOVAL	SQ FT	118		118

* SPECIALTY ITEM

FILE NAME *	USER NAME * bronhamer	DESIGNED - _____	REVISED - _____	STATE OF ILLINOIS DEPARTMENT OF TRANSPORTATION	SUMMARY OF QUANTITIES					F.A.S. RTE.	SECTION	COUNTY	TOTAL SHEETS	SHEET NO.
S:\CONTRMAINT.CAD\72102- Litchfield from	age road\plans\72102 - sht3 - 500.dgn	DRAWN - _____	REVISED - _____		1768	(68-2) RS-7, I-4	MONTGOMERY	7	3					
Default	PLOT SCALE = 100.0000' / 1"	CHECKED - _____	REVISED - _____		SCALE: _____ SHEET _____ OF _____ SHEETS STA. _____ TO STA. _____					CONTRACT NO. 72102				
	PLOT DATE = 2/9/2018	DATE - _____	REVISED - _____		[ILLINOIS] FED. AID PROJECT									



BEGIN PROJECT
STA. 1000 + 80.66

STA EQU:
1013 + 80.66 BK =
1113 + 80.66 AH

END PROJECT
STA. 1135 + 80.66



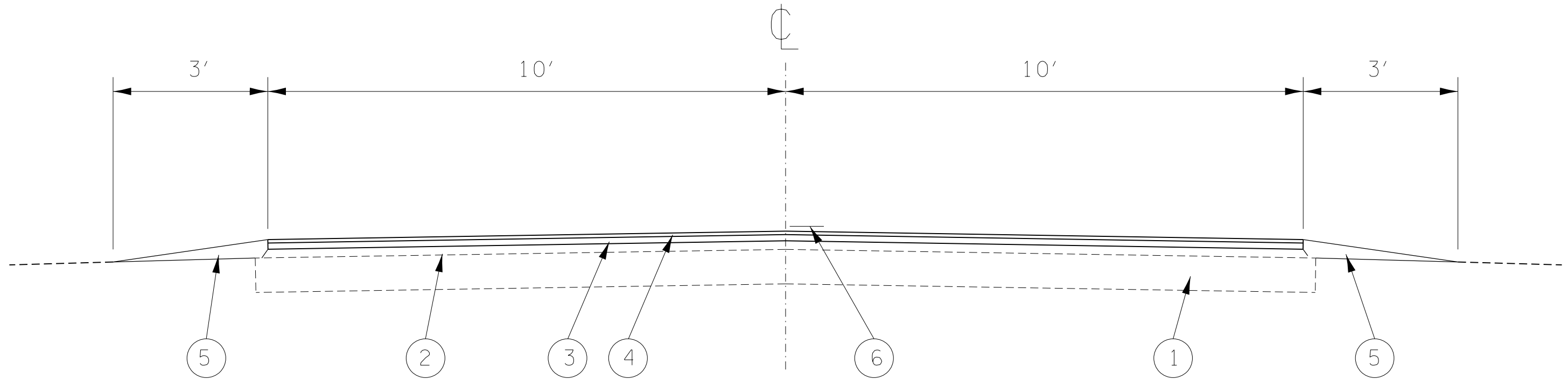
FILE NAME =	USER NAME = branhamme	DESIGNED -	REVISED -
S:\CONTRMAINT_CAD\72102- Litchfield frontage road\plans\72102 - sht4 - plan.dgn		DRAWN -	REVISED -
Default	PLOT SCALE = 2.0000' / in.	CHECKED -	REVISED -
	PLOT DATE = 2/16/2016	DATE -	REVISED -

STATE OF ILLINOIS
DEPARTMENT OF TRANSPORTATION

PLAN SHEET

SCALE: SHEET OF SHEETS STA. TO STA.

F.A.S. RTE.	SECTION	COUNTY	TOTAL SHEETS	SHEET NO.
1768	(68-2) RS-7, I-4	MONTGOMERY	7	4
CONTRACT NO. 72102				
ILLINOIS FED. AID PROJECT				



STA. 1000+60.66 TO STA 1013+80.66
 STA EQ: 1013+80.66BK = STA 1113+80.66AH
 STA 1113+80.66 TO STA 1135+80.66

LEGEND

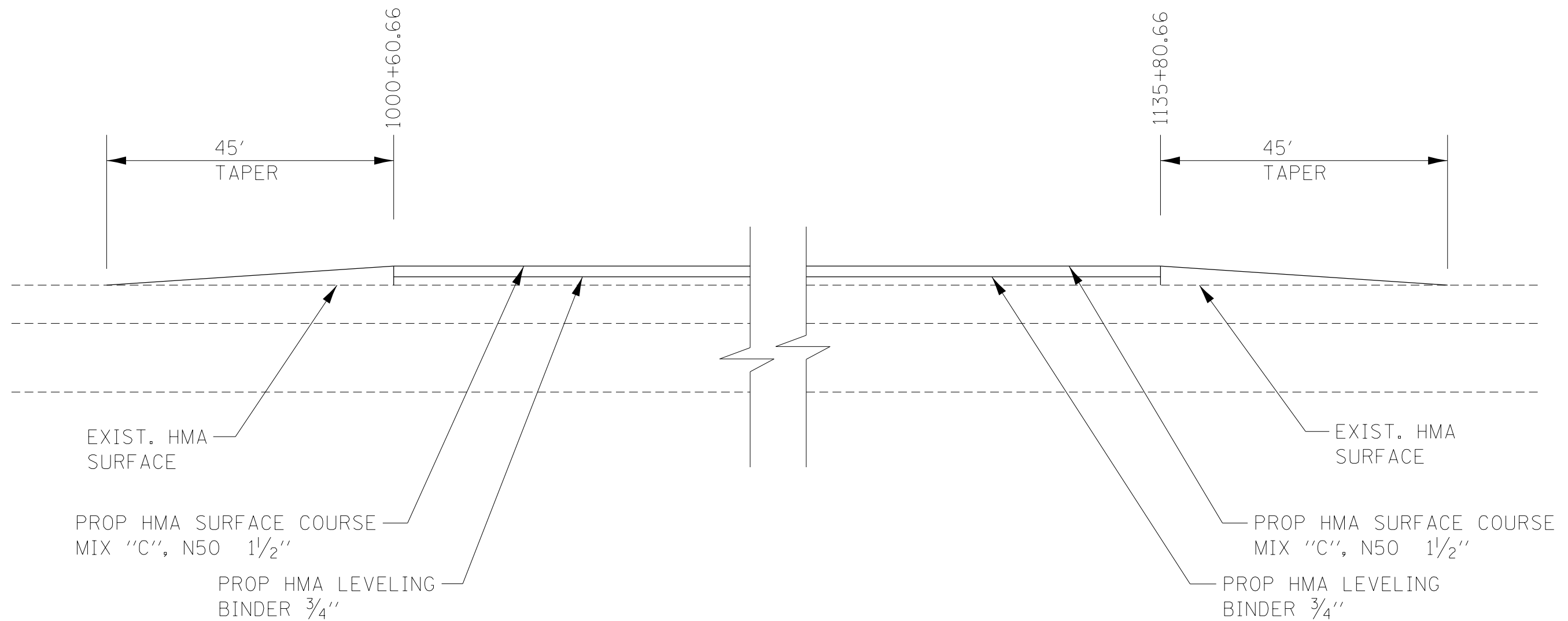
- 1- EXIST. STABILIZED BASE COURSE
- 2- EXIST. BITUMINOUS SURFACE
- 3- PROP. LEVELING BINDER (MACHINE METHOD), N50 3/4"
- 4- PROP. HOT-MIX ASPHALT SURFACE COURSE, MIX "C", N50 1 1/2"
- 5- PROP. AGGREGATE WEDGE SHOULDERS, TYPE B
- 6- PROP. PAINT PAVEMENT MARKING - LINE 5"

FILE NAME =	USER NAME = branhamme	DESIGNED -	REVISED -	STATE OF ILLINOIS DEPARTMENT OF TRANSPORTATION	TYPICAL SECTION			F.A.S RTE.	SECTION	COUNTY	TOTAL SHEETS	SHEET NO.			
S:\CONTRMAINT_CAD\72102- Litchfield frontage road\plans\72102 - sht5 - typical.dgn		DRAWN -	REVISED -		SCALE:	SHEET	OF	SHEETS	STA.	TO STA.	1768	(68-2) RS-7, I-4	MONTGOMERY	7	5
Default		CHECKED -	REVISED -		CONTRACT NO. 72102										
		DATE -	REVISED -		ILLINOIS FED. AID PROJECT										

		PAINT PAVEMENT MARKING LINE 5"	
		WHITE	YELLOW
STA 1113+80.66 TO STA 1140+20.66	SOLID LINE	7040	7040
TOTALS		7040	7040

NOTE: STATIONS ARE APPROXIMATE

MIXTURE REQUIREMENTS	
THE FOLLOWING MIXTURE REQUIREMENTS ARE APPLICABLE FOR THIS PROJECT	
MIXTURE USE(S):	HMA SURFACE / HMA LEVELING BINDER
AC / PG	PG 64-22
DESIGN AIR VOIDS:	4.0% @ N DESIGN = 50
MIXTURE COMP:	IL 9.5
FRICTION AGG:	MIX "C"
QUALITY MANAGEMENT	QC / QA



FILE NAME =	USER NAME = branhamme	DESIGNED -	REVISED -
S:\CONTRMAINT_CAD\72102- Litchfield frontage road\plans\72102 - sh7 - butt joint.dgn		DRAWN -	REVISED -
Default	PLOT SCALE = 2.0000' / 1"	CHECKED -	REVISED -
	PLOT DATE = 2/16/2016	DATE -	REVISED -

**STATE OF ILLINOIS
DEPARTMENT OF TRANSPORTATION**

BUTT-JOINT DETAIL

SCALE: SHEET OF SHEETS STA. TO STA.

F.A.S. RTE.	SECTION	COUNTY	TOTAL SHEETS	SHEET NO.
1768	(68-2) RS-7, I-4	MONTGOMERY	7	7
CONTRACT NO. 72102				
ILLINOIS FED. AID PROJECT				