

STATE OF ILLINOIS
DEPARTMENT OF TRANSPORTATION
DIVISION OF HIGHWAYS

**PROPOSED
HIGHWAY PLANS**

F.A.P. ROUTE 550 (IL 99)
SECTION (9) CR

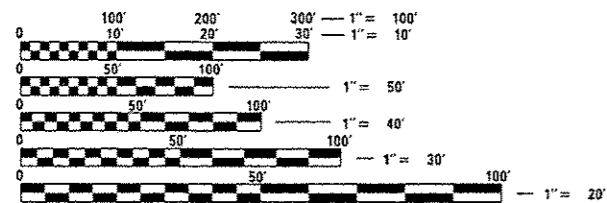
HEADWALL REPAIRS
BROWN COUNTY

C-96-033-16

F.A.P. RTE.	SECTION	COUNTY	TOTAL SHEETS	SHEET NO.
550	(9) CR	BROWN	5	1
		ILLINOIS	CONTRACT NO. 72120	

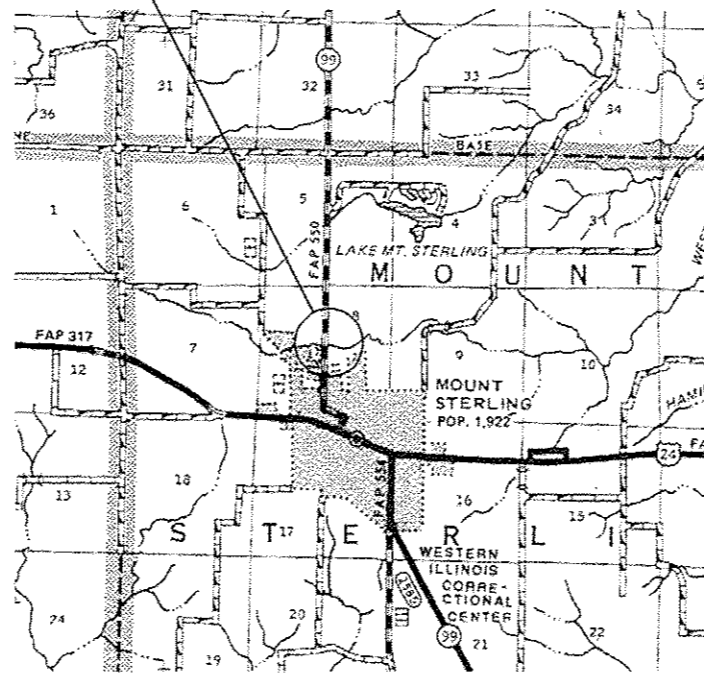
FOR INDEX OF SHEETS, SEE SHEET NO. 2

PROJECT LOCATION
SN 005-7007
IL 99 OVER DITCH
0.25 MI NORTH OF LYNN ROSE
HEIGHTS DR IN MT STERLING
N 39.9959° W 90.7688°



FULL SIZE PLANS HAVE BEEN PREPARED USING STANDARD ENGINEERING SCALES. REDUCED SIZED PLANS WILL NOT CONFORM TO STANDARD SCALES. IN MAKING MEASUREMENTS ON REDUCED PLANS, THE ABOVE SCALES MAY BE USED.

J.U.L.I.E.
JOINT UTILITY LOCATION INFORMATION FOR EXCAVATION
1-800-892-0123
OR 811



BRIDGE MAINTENANCE ENGINEER - BRANDON DUDLEY (217) 785-9290
BRIDGE INSPECTION ENGINEER - DAVE COPENBARGER (217) 785-5306

GROSS LENGTH = 79.0 FEET
NET LENGTH = 79.0 FEET

CONTRACT NO. 72120

STATE OF ILLINOIS
DEPARTMENT OF TRANSPORTATION
DIVISION OF HIGHWAYS

SUBMITTED January 29, 2016
Lois J. Doherty
DEPUTY DIRECTOR OF HIGHWAYS, REGION ENGINEER

March 13, 2016
Muhammad M. Addis, P.E.
ENGINEER OF DESIGN AND ENVIRONMENT

March 13, 2016
Omer Osman, P.E.
DIRECTOR OF HIGHWAYS, CHIEF ENGINEER

**PRINTED BY THE AUTHORITY
OF THE STATE OF ILLINOIS**


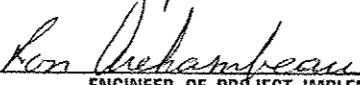
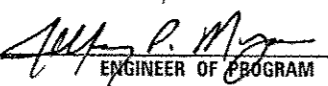
INDEX OF SHEETS

- 1 COVER SHEET
- 2 INDEX, STANDARDS, GENERAL NOTES, & SUMMARY OF QUANTITIES
- 3 TRAFFIC CONTROL PLAN
- 4 SHOULDER EXCAVATION DETAIL
- 5 CULVERT PLAN

HIGHWAY STANDARDS

- 701001-02
- 701006-05
- 701201-04
- 701321-15
- 701901-05
- 704001-08

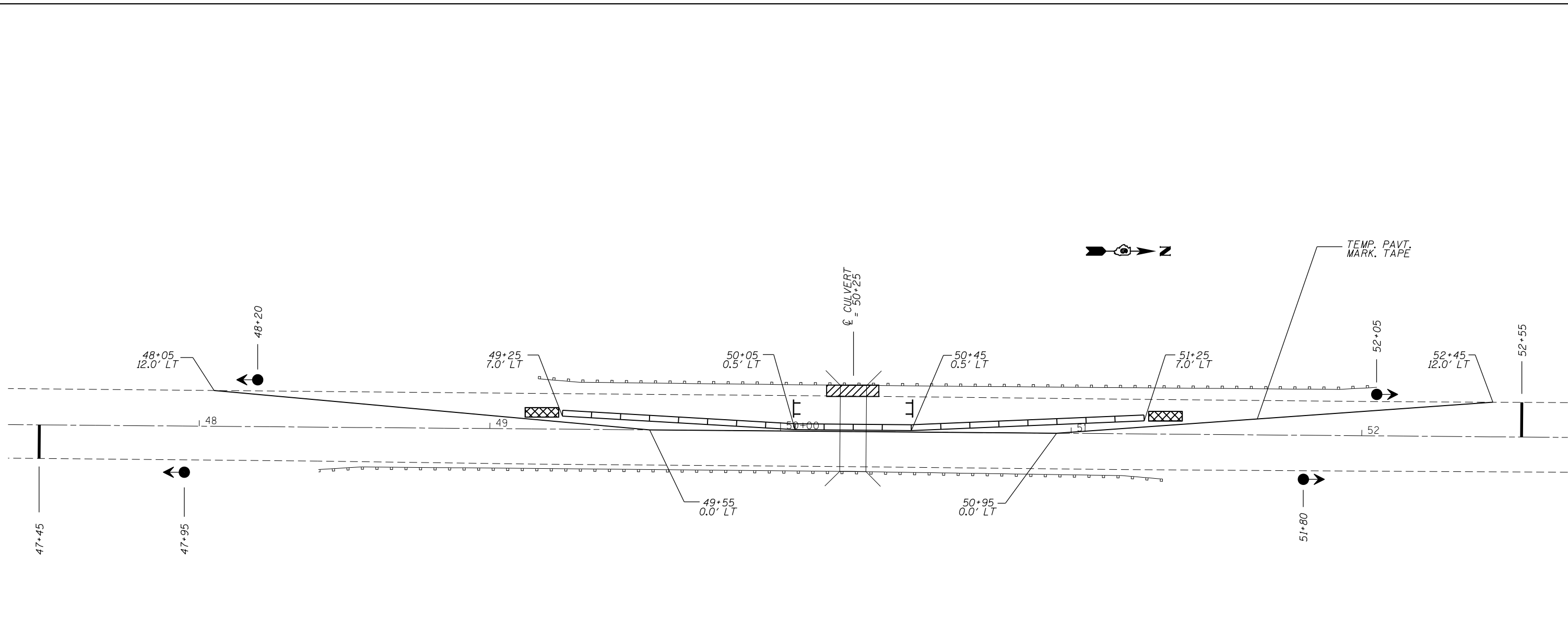
GENERAL NOTES:

<p>STATE OF ILLINOIS DEPARTMENT OF TRANSPORTATION DIVISION OF HIGHWAYS DISTRICT 6</p>
<p>EXAMINED <u>JANUARY 26th 20 16</u>  ENGINEER OF OPERATIONS</p>
<p>EXAMINED <u>January 26 20 16</u>  ENGINEER OF PROJECT IMPLEMENTATION</p>
<p>EXAMINED <u>January 26 20 16</u>  ENGINEER OF PROGRAM DEVELOPMENT</p>

CODE NO.	ITEM	UNIT	TOTAL QUANTITY	CONSTR. CODE
				100% STATE
				BRIDGE
				0014
				BROWN
28100805	STONE DUMPED RIPRAP, CLASS A3	TON	10	10
48101200	AGGREGATE SHOULDERS, TYPE B	TON	10	10
50102400	CONCRETE REMOVAL	CU YD	1	1
50800205	REINFORCEMENT BARS, EPOXY COATED	POUND	180	180
54003000	CONCRETE BOX CULVERTS	CU YD	1	1
* 63301210	REMOVE AND REERECT STEEL PLATE BEAM GUARDRAIL, TYPE A	FOOT	50	50
* 63301235	REMOVE AND REERECT STEEL PLATE BEAM GUARDRAIL, ATTACHED TO STRUCTURES	FOOT	25	25
67100100	MOBILIZATION	L SUM	1	1
70100405	TRAFFIC CONTROL AND PROTECTION, STANDARD 701321	EACH	1	1
70100450	TRAFFIC CONTROL AND PROTECTION, STANDARD 701201	L SUM	1	1
70106500	TEMPORARY BRIDGE TRAFFIC SIGNALS	EACH	1	1
70400100	TEMPORARY CONCRETE BARRIER	FOOT	200	200
70600260	IMPACT ATTENUATORS, TEMPORARY (FULLY REDIRECTIVE NARROW), TEST LEVEL 3	EACH	2	2
X7200201	WIDTH RESTRICTION SIGNING	L SUM	1	1

14

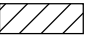

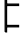

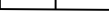
* SPECIALTY ITEM



TRAFFIC CONTROL NOTES:

1. TRAFFIC CONTROL SHALL CONFORM TO STANDARD 701321 AND AS SHOWN ON THIS SHEET.
2. ALL TRAFFIC CONTROL DEVICES NOT SHOWN ON THIS DETAIL SHALL BE PLACED PER STANDARD 701321.
3. REMOVAL OF EXISTING PAVEMENT MARKINGS WILL NOT BE REQUIRED.

SYMBOLS

-  Work area
-  Impact attenuator
-  Type III barricade
-  Traffic signal
-  Temporary Concrete Barrier

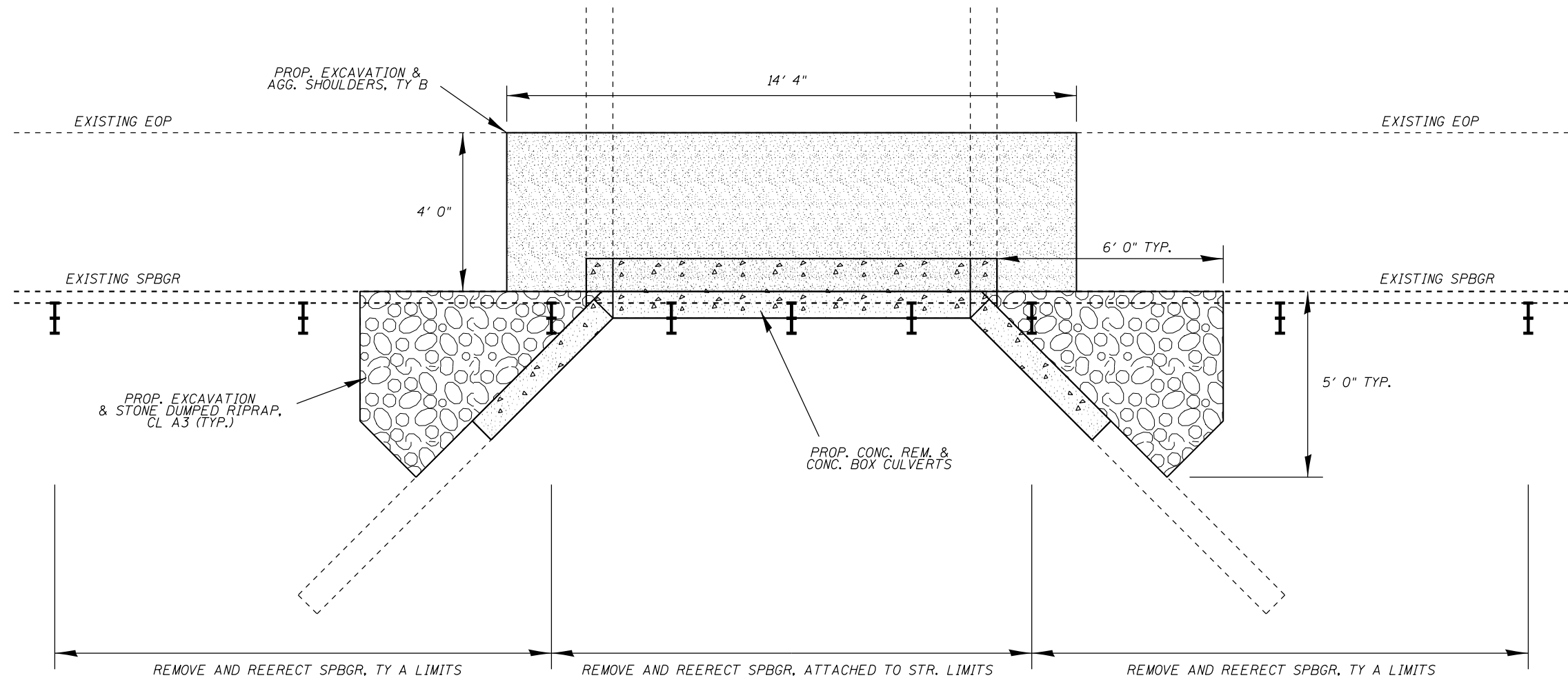
FILE NAME =	USER NAME = dudleybm	DESIGNED -	REVISED -
D:\OPERATIONS\Bridges\Bridgeplans\CAD\72120 - 0057007 headwall repair\plansheet.dgn		DRAWN -	REVISED -
Default	PLOT SCALE = 100.0000' / 1".	CHECKED -	REVISED -
	PLOT DATE = 1/27/2016	DATE -	REVISED -

**STATE OF ILLINOIS
DEPARTMENT OF TRANSPORTATION**

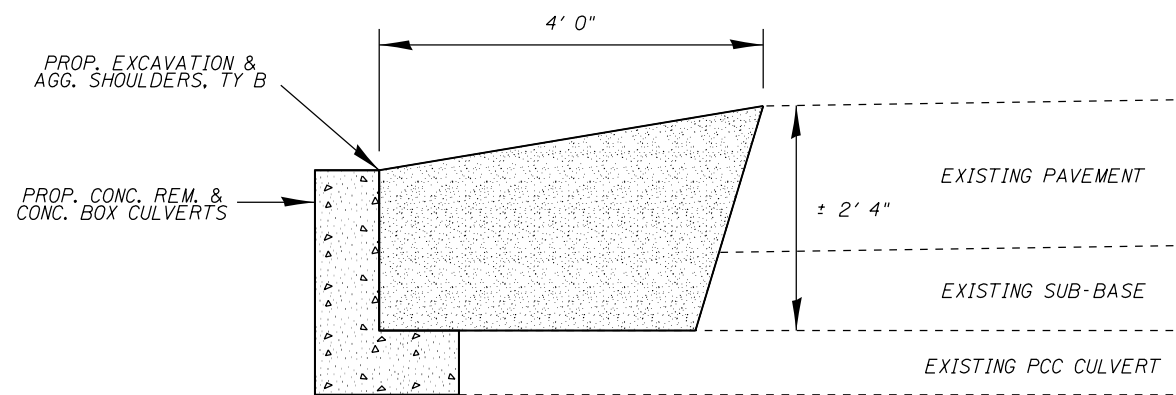
**TRAFFIC CONTROL PLAN
SN 005-7007**

SCALE: SHEET OF SHEETS STA. TO STA.

F.A.P. RTE.	SECTION	COUNTY	TOTAL SHEETS	SHEET NO.
550	(9) CR	BROWN	5	3
CONTRACT NO. 72120				
ILLINOIS FED. AID PROJECT				



WEST SHOULDER PLAN



WEST SHOULDER CROSS SECTION

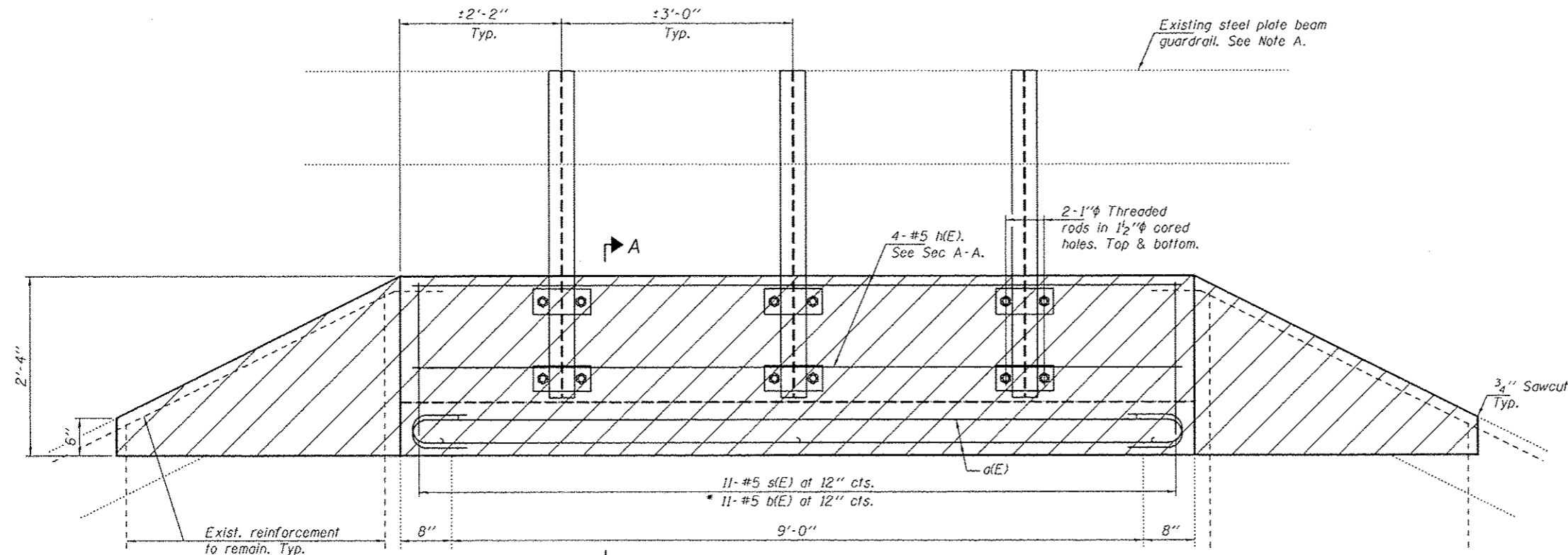
FILE NAME =	USER NAME = dudleybm	DESIGNED -	REVISED -
D:\OPERATIONS\Bridges\Bridgplans\CAD\72120 - 0057007 headwall repair\plansheet.dgn		DRAWN -	REVISED -
Default	PLOT SCALE = 100.0000' / 1in.	CHECKED -	REVISED -
	PLOT DATE = 1/27/2016	DATE -	REVISED -

STATE OF ILLINOIS
DEPARTMENT OF TRANSPORTATION

SHOULDER EXCAVATION DETAILS
SN 005-7007

SCALE: SHEET OF SHEETS STA. TO STA.

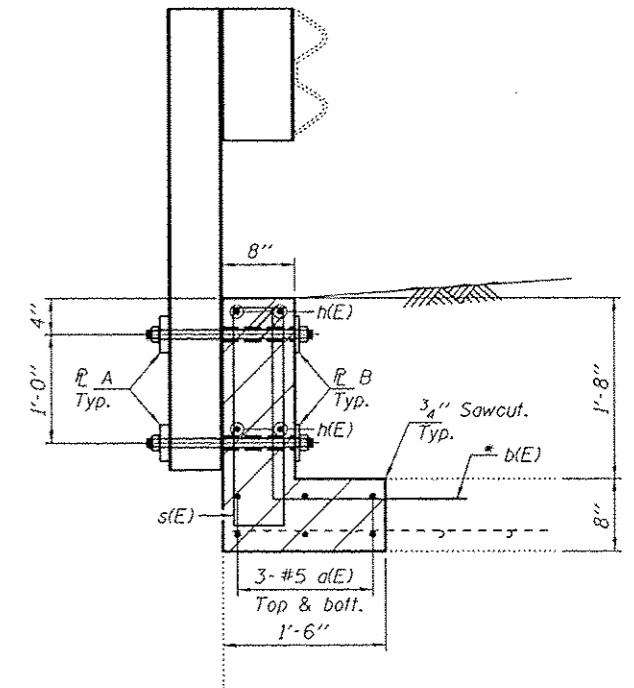
F.A.P. RTE.	SECTION	COUNTY	TOTAL SHEETS	SHEET NO.
550	(9) CR	BROWN	5	4
CONTRACT NO. 72120				
ILLINOIS FED. AID PROJECT				



ELEVATION

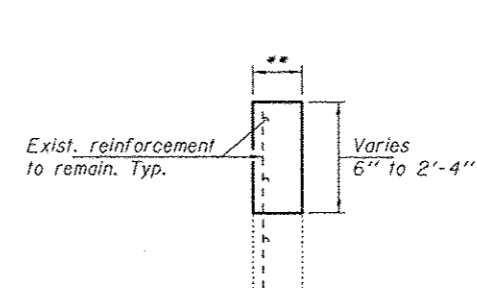
Hatched areas indicate
Concrete Removal and
Concrete Box Culverts.

Note A:
The existing steel plate beam guardrail shall be removed for construction and be re-erected upon completion of the concrete work. The contractor shall furnish and erect new guardrail posts with which to attach the re-erected rail to the proposed concrete headwall. Guardrail work shall conform to Section 630 of the Standard Specifications. This work shall also include the furnishing and installation of all plates and fastening hardware detailed on this sheet. All plates and hardware shall be galvanized per AASHTO M232 standard. All work and materials described in this note shall be included in the contract unit price per foot for Remove and Reerect Steel Plate Beam Guardrail, Attached to Structures.



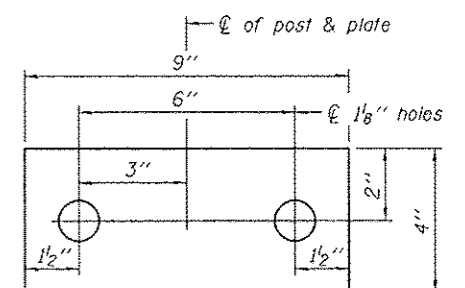
SECTION A-A

* Epoxy grout b(E) bars in 9" min. holes according to Article 584 of the Standard Specifications.



SECTION AT WING

** Match existing

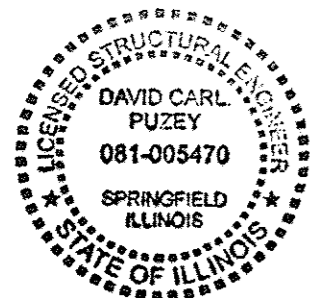
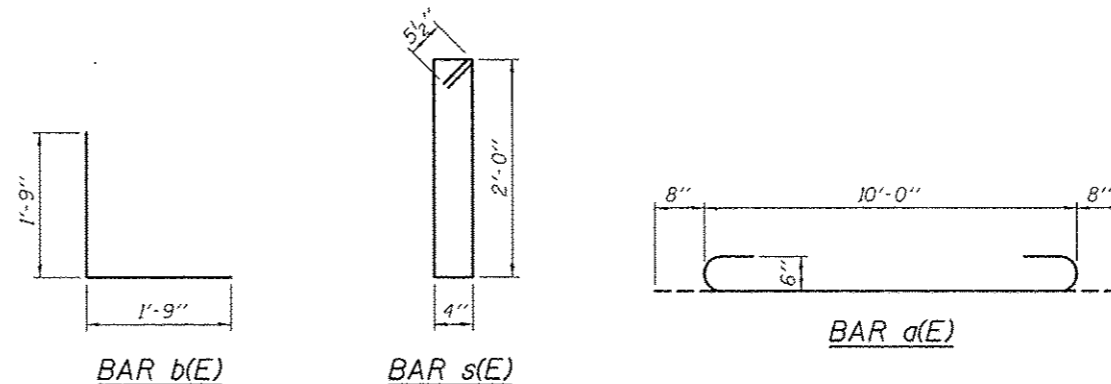


PLATES A & B

(P A - 1" x 4" x 9")
(6 Required)
(P B - 1/2" x 4" x 9")
(6 Required)

BILL OF MATERIAL

Bar	No.	Size	Length	Shape
a(E)	6	#5	11'-4"	U
b(E)	11	#5	3'-6"	L
h(E)	4	#5	10'-0"	—
s(E)	11	#5	5'-7"	U
Concrete Removal			Cu. Yd.	1.0
Concrete Box Culverts			Cu. Yd.	1.0
Reinforcement Bars, Epoxy Coated			Pound	180



EXPIRES 11-30-2016