

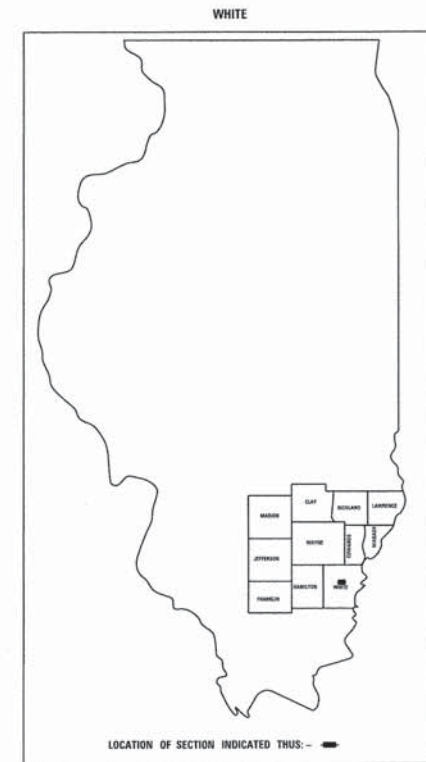
**INDEX OF SHEETS**

SHEET NO.	DESCRIPTION
1	TITLE SHEET, SUMMARY OF QUANTITIES
2	TYPICAL SECTIONS, GENERAL NOTES HIGHWAY STANDARDS, AND DETAILS
3	DETAILS OF TAPERS, STREETS, & SIDEROADS.
4	SCHEDULES
5	STRAIGHT LINE DIAGRAM
6	STRAIGHT LINE DIAGRAM AND RIPRAP DETAILS

**STATE OF ILLINOIS**  
**DEPARTMENT OF TRANSPORTATION**  
**DIVISION OF HIGHWAYS**  
**PLANS FOR PROPOSED FEDERAL-AID**  
**S.T.R. PROJECT**

**F.A.S. 884(CH 1) SECTION 12-00121-00-RS WHITE COUNTY**  
**PROJECT RS-0884(106) JOB NO. C-99-519-13**

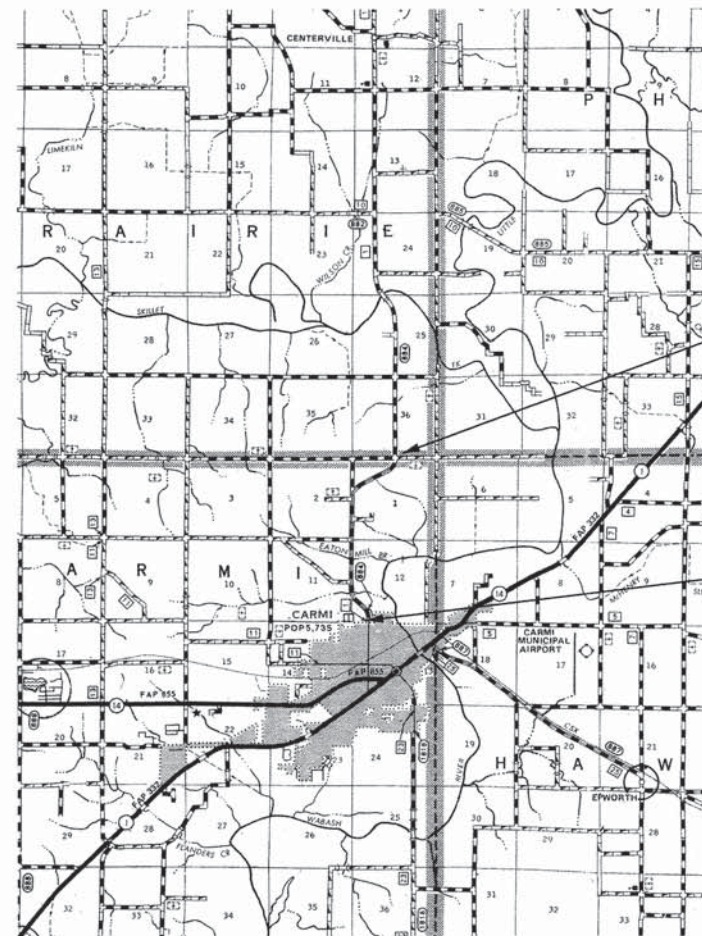
F.A.S.	SECTION	COUNTY	TOTAL SHEETS	SHEET NO.
884	12-00121-00-RS	WHITE	6	1
FED ROAD DIST. NO. 1		ILLINOIS	CENTERVILLE ROAD	
LEC JOB # H15L001WH		CONTRACT # 99549		



DESIGN CLASS - RURAL MAJOR COLLECTOR  
 DESIGN SPEED = 50 MPH  
 CURRENT A.D.T. = 1050  
 CONTRACT # = 99549

SUMMARY OF QUANTITIES			
ITEM	UNIT	TOTAL QUANTITY	
28100807	STONE DUMPED RIPRAP, CLASS A4	TON	448
28100809	STONE DUMPED RIPRAP, CLASS A5	TON	247
40600290	BITUMINOUS MATERIALS (TACK COAT)	POUND	27686.0
40600990	TEMPORARY RAMP	SQ YD	19.5
40603085	HOT-MIX ASPHALT BINDER COURSE, IL-19.0, N70	TON	5907.0
40603315	HOT-MIX ASPHALT SURFACE COURSE, MIX "C", N70	TON	3039.0
48101200	AGGREGATE SHOULDERS, TYPE B	TON	1986.0
54213660	PRECAST REINFORCED CONCRETE FLARED END SECTIONS 15	EACH	2.0
542A0220	PIPE CULVERTS, CLASS A, TYPE 1 15"	FOOT	72.0
59300100	CONTROLLED LOW-STRENGTH MATERIAL	CU YD	15.9
67100100	MOBILIZATION	L SUM	1.0
70100460	TRAFFIC CONTROL AND PROTECTION, STANDARD 701306	L SUM	1.0
70100600	TRAFFIC CONTROL AND PROTECTION, STANDARD 701336	L SUM	1.0
70300100	SHORT TERM PAVEMENT MARKING	FOOT	4984.0
* 78001110	PAINT PAVEMENT MARKING - LINE 4"	FOOT	49515.0
~ X4401198	HOT-MIX ASPHALT SURFACE REMOVAL, VARIABLE DEPTH	SQ YD	31437.0
~ XX003140	SHORT TERM PAVEMENT MARKING REMOVAL	FOOT	1245.0
~ XX127400	PAVEMENT REMOVAL AND REPLACEMENT (SPECIAL)	TON	254.0

\* SEE SPECIAL PROVISIONS  
 \* SPECIALTY ITEMS



**LAYOUT**

APPROXIMATE SCALE 1 INCH = 1 MILE

	FEET	MILES
GROSS LENGTH	12460 FT	2.360 MILES
OMISSION	0 FT	0.000 MILES
NET LENGTH	12460 FT	2.360 MILES



Know what's below.  
 Call before you dig.

323 W. 3RD ST.  
 P.O. BOX 160  
 MT. CARMEL, IL  
 62863  
 PHONE:  
 (618)-262-8651  
 FAX:  
 (618)-263-3327

ILLINOIS  
 PROFESSIONAL  
 DESIGN FIRM  
 LAND SURVEY,  
 PROFESSIONAL  
 ENGINEERING &  
 STRUCTURAL  
 ENGINEERING  
 CORPORATION  
 184-00059



AARON M. MEFFORD  
 NAME  
 SIGNATURE  
 DATE  
 1-19-16  
 11-30-17  
 EXPIRES

STATE OF ILLINOIS  
DEPARTMENT OF TRANSPORTATION

APPROVED January 19, 2016

Brian A. Ray  
COUNTY ENGINEER

PASSED January 29, 2016

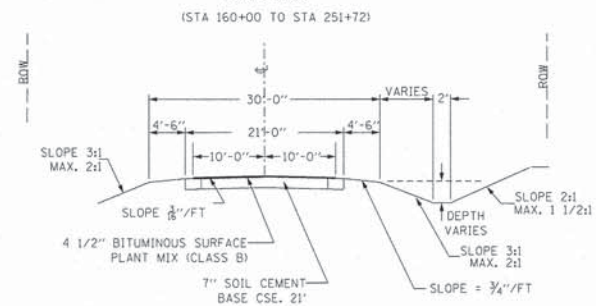
Dennis W. Hill  
ENGINEER OF LOCAL ROADS AND STREETS

RELEASING FOR BID  
BASED ON LIMITED  
REVIEW: January 29, 2016

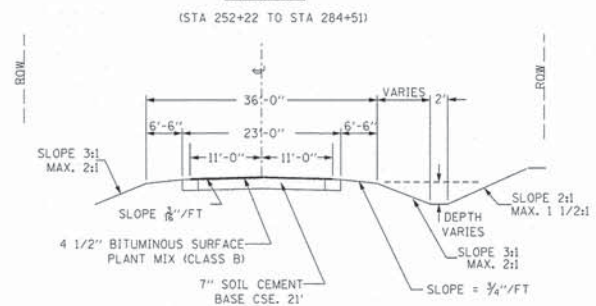
Jeffrey L. Keirn  
JEFFREY L. KEIRN, P.E.  
DEPUTY DIRECTOR OF HIGHWAYS  
REGION FIVE ENGINEER

F.A.S.	SECTION	COUNTY	TOTAL SHEETS	SHEET NO.
884	12-00121-00-AS	WHITE	6	2
FED. ROAD DIST. NO. 1		ILLINOIS	CENTERVILLE ROAD	
LEC JOB # H15R001WH		CONTRACT # 99549		

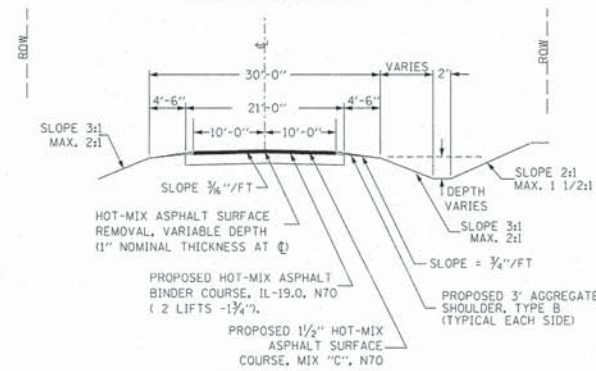
**TYPICAL CROSS SECTION EXISTING**  
(STA 160+00 TO STA 251+72)



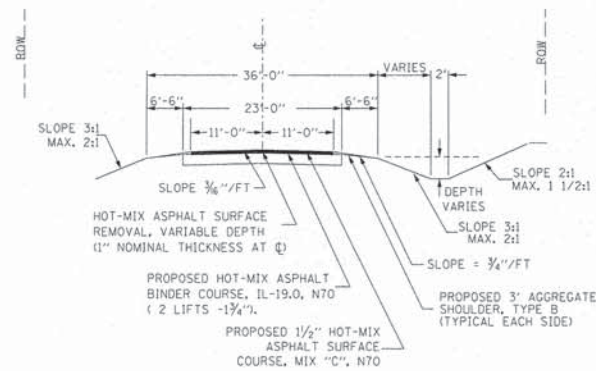
**TYPICAL CROSS SECTION EXISTING**  
(STA 252+22 TO STA 284+51)



**TYPICAL CROSS SECTION PROPOSED**  
(STA 160+00 TO STA 251+72)



**TYPICAL CROSS SECTION PROPOSED**  
(STA 252+22 TO STA 284+51)



**GENERAL NOTES:**

THIS SECTION CONSISTS OF PAVEMENT REMOVAL AND REPLACEMENT SPECIAL, HOT-MIX ASPHALT BINDER COURSE, N70, AND HOT-MIX ASPHALT SURFACE COURSE, MIX "C", N70, AGGREGATE SHOULDERS, AND OTHER MISCELLANEOUS ITEMS NECESSARY TO COMPLETE THE PROJECT. ALL IN ACCORDANCE WITH THE PLANS, SPECIAL PROVISIONS AND "STANDARD SPECIFICATIONS FOR ROAD AND BRIDGE CONSTRUCTION" ADOPTED JANUARY 1, 2012.

THE EXISTING GRADE, ALIGNMENT, DRAINAGE STRUCTURES, BASE AND SURFACE WERE CONSTRUCTED UNDER SECTIONS 31-G AND 88-0062-00-RS AND SHALL REMAIN IN PLACE. ALL STATIONS REFERRED TO IN THE PLANS AND PROPOSAL ARE REFERENCED TO THE ABOVE MENTIONED SECTIONS.

MAXIMUM PERCENT OF GRADE	+5.30 %
MINIMUM STOPPING SIGHT DISTANCE	450.00 FT
DESIGN SPEED	50 MPH
CURRENT ADT	1050 VPD
DESIGN ADT (20 YEAR)	1080 VPD

THE HOT-MIX ASPHALT SURFACE COURSE, MIX "C", N70 SHALL BE PLACED IN ONE LIFT WITH A MINIMUM THICKNESS OF 1 1/2".

THE QUANTITY SHOWN IN THE SUMMARY OF QUANTITIES FOR HOT-MIX ASPHALT SURFACE COURSE, MIX "C", N70 ALLOWS 277 TON FOR THE INTERSECTIONS AND SIDEROADS; 183 TON FOR THE ENTRANCES; 49 TON FOR THE MAILBOX TURNOUTS, AND 2530 TON FOR THE MAIN LINE HOT-MIX ASPHALT SURFACE COURSE, MIX "C", N70.

THE FOLLOWING RATES HAVE BEEN USED TO CALCULATE PLAN QUANTITIES:

AGGREGATE SHOULDERS TY, B	1.8 T / CU YD
HOT-MIX ASPHALT	0.0560 T / SQ YD * INCH
BITUMINOUS MATERIAL (TACK COAT)	
FIRST LIFT	0.05 LBS / SQ FT
REMAINING LIFTS	0.025 LBS / SQ FT

**HIGHWAY STANDARDS**

- 000001-06 STANDARD SYMBOLS, ABBREVIATIONS & PATTERNS
- 406201-01 MAILBOX TURNOUT
- 542301-03 PRECAST REINFORCED CONCRETE FLARED END SECTION
- 701006-05 OFF-RD OPERATIONS, 2-L, 2-W, 4.5 m (15') TO PAVEMENT EDGE FOR SPEEDS ≥ 45 MPH
- 701301-04 LANE CLOSURE, 2L, 2W, SHORT TIME OPERATIONS.
- 701306-03 LANE CLOSURE, 2L, 2W, SLOW MOVING OPERATIONS - DAY ONLY FOR SPEEDS ≥ 45 MPH
- 701311-03 LANE CLOSURE, 2L, 2W, MOVING OPERATIONS - DAY ONLY
- 701336-06 LANE CLOSURE, 2L, 2W, WORK AREAS IN SERIES, FOR SPEEDS ≥ 45 MPH
- 701901-05 TRAFFIC CONTROL DEVICES
- 780001-05 TYPICAL PAVEMENT MARKINGS

323 W. 3RD ST.  
P.O. BOX 160  
MT. CARMEL, IL  
62863  
PHONE:  
(618)-262-8651  
FAX:  
(618)-263-3327

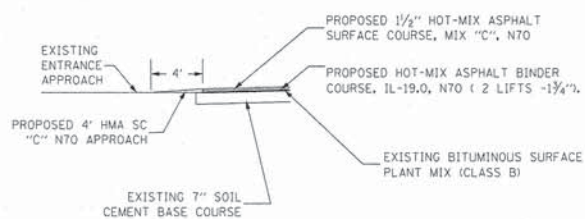
ILLINOIS  
PROFESSIONAL  
DESIGN FIRM  
LAND SURVEY;  
PROFESSIONAL  
ENGINEERING &  
STRUCTURAL  
ENGINEERING  
CORPORATION  
184-000959

**LAMAC**  
ENGINEERING  
A Division of Hampton, Lenzani and Renwick, Inc.

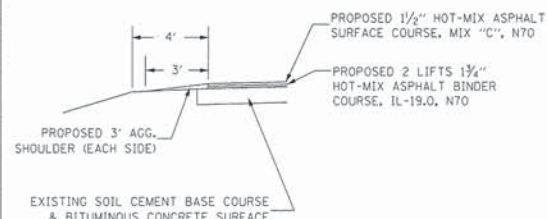


AARON M. MEFFORD  
REGISTERED PROFESSIONAL ENGINEER OF ILLINOIS  
NAME: Aaron M. Mefford  
SIGNATURE: [Signature]  
DATE: 11-30-17  
EXPIRES:

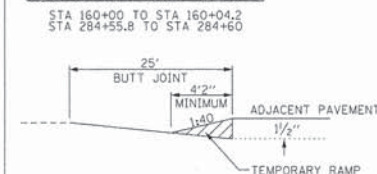
**PRIVATE & FIELD ENTRANCE APPROACH DETAIL**



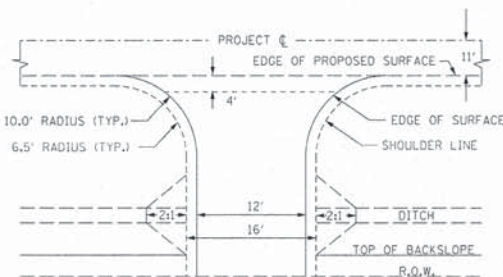
**AGGREGATE SHOULDER DETAIL**



**TEMPORARY RAMP DETAIL**

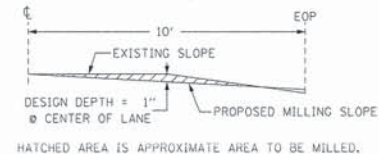


**DETAIL OF PRIVATE AND FIELD ENTRANCES**



NOTE: THE 4' AREA FROM THE EDGE OF SURFACE, AS SHOWN ABOVE, SHALL BE HOT-MIX ASPHALT SURFACE COURSE, MIX "C", N70 FOR THE PRIVATE ENTRANCES AND THE FIELD ENTRANCES. THIS QUANTITY IS INCLUDED IN THE QUANTITY FOR HOT-MIX ASPHALT SURFACE COURSE, MIX "C", N70.

**TYPICAL DETAIL OF HOT-MIX ASPHALT SURFACE REMOVAL IN SUPERELEVATION**



**TYPICAL DETAIL OF HOT-MIX ASPHALT SURFACE REMOVAL IN TANGENT**

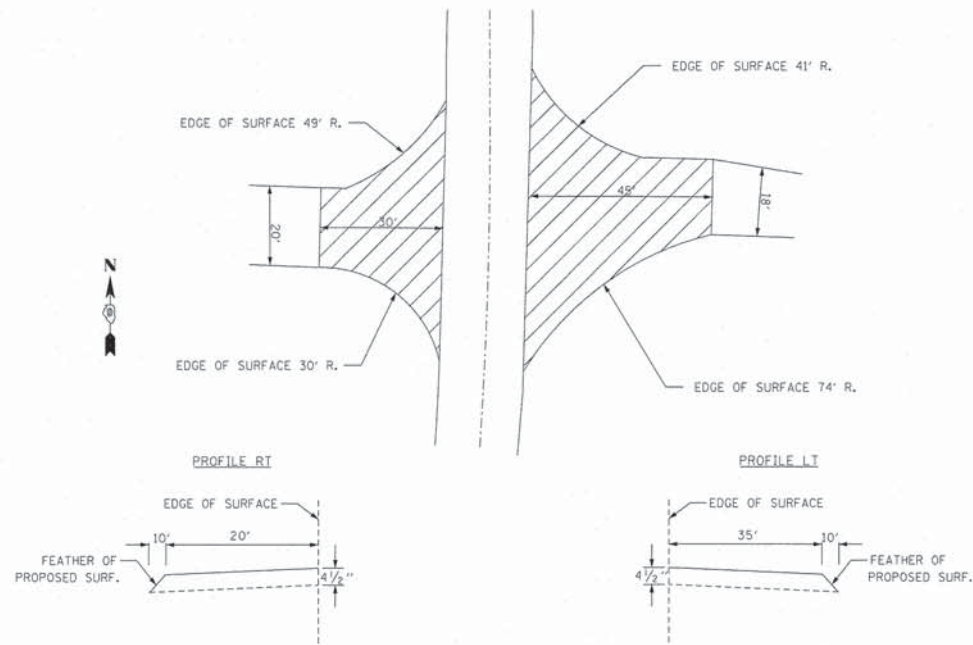


- NOTES:
- MILLING SHALL BE DONE TO ATTAIN THE PROPOSED SUPERELEVATION RATES AND TO ATTAIN 3/8" PER FOOT CROWN IN TANGENTS. IN MOST CASES THE PROPOSED SLOPE WILL BE GREATER THAN THE EXISTING SLOPE.
  - THE AVERAGE DEPTH OF MILLING IS ESTIMATED TO BE 1" AT @ IN TANGENTS AND 1" AT THE CENTER OF LANE ON THE LOW SIDE IN SUPERELEVATION, BUT MAY VARY IN ISOLATED LOCATIONS.
  - THE PROPOSED RATES WILL BE STAKED BY THE ENGINEER PRIOR TO CONSTRUCTION.
  - MILLING TO THE BOTTOM OF WHEEL RUTS SHALL NOT BE NECESSARY UNLESS REQUIRED TO OBTAIN CROWN OR THE DESIGN DEPTH AT CENTERLINE.

**SCHEDULE FOR SUPERELEVATION RATES**

CURVE #1	CURVE #2	CURVE #4	CURVE #5
TANGENT RUNOFF BEGINS STA. 160+79.69	TANGENT RUNOFF BEGINS STA. 189+94.59	TANGENT RUNOFF BEGINS STA. 259+74.55	TANGENT RUNOFF BEGINS STA. 272+28.72
S.E. RUNOFF BEGINS STA. 161+12.69	S.E. RUNOFF BEGINS STA. 189+27.59	S.E. RUNOFF BEGINS STA. 260+07.55	S.E. RUNOFF BEGINS STA. 272+61.72
FULL S.E. BEGINS STA. 162+77.69	FULL S.E. BEGINS STA. 190+92.59	FULL S.E. BEGINS STA. 261+83.55	FULL S.E. BEGINS STA. 274+37.72
FULL S.E. ENDS STA. 174+82.20	FULL S.E. ENDS STA. 202+87.13	FULL S.E. ENDS STA. 268+68.18	FULL S.E. ENDS STA. 282+27.97
S.E. RUNOFF ENDS STA. 176+47.20	S.E. RUNOFF ENDS STA. 204+52.13	S.E. RUNOFF ENDS STA. 270+44.18	S.E. RUNOFF ENDS STA. 284+03.97
TANGENT RUNOFF ENDS STA. 176+80.20	TANGENT RUNOFF ENDS STA. 204+85.13	TANGENT RUNOFF ENDS STA. 270+77.18	TANGENT RUNOFF ENDS STA. 284+36.97
S.E. RATE = 0.075 FT / FT	S.E. RATE = 0.075 FT / FT	S.E. RATE = 0.080 FT / FT	S.E. RATE = 0.080 FT / FT

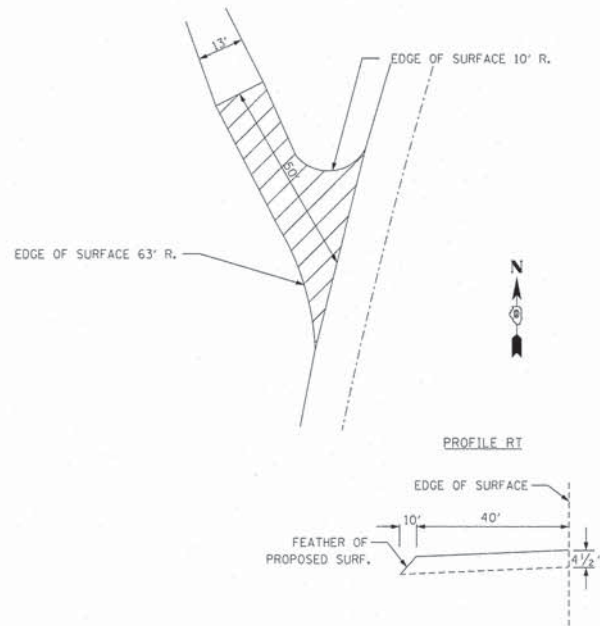
DETAIL OF INTERSECTION LT. & RT. STA. 162+35



NOTE: THE QUANTITY SHOWN FOR HOT-MIX ASPHALT SURFACE COURSE, MIX "C", N70 INCLUDES 29.7 TONS OF MATERIAL FOR THE SIDEROAD RT. APPROACH AND RADII. IT ALSO INCLUDES 24.8 TONS OF MATERIAL FOR THE SIDEROAD LT. APPROACH AND RADII.

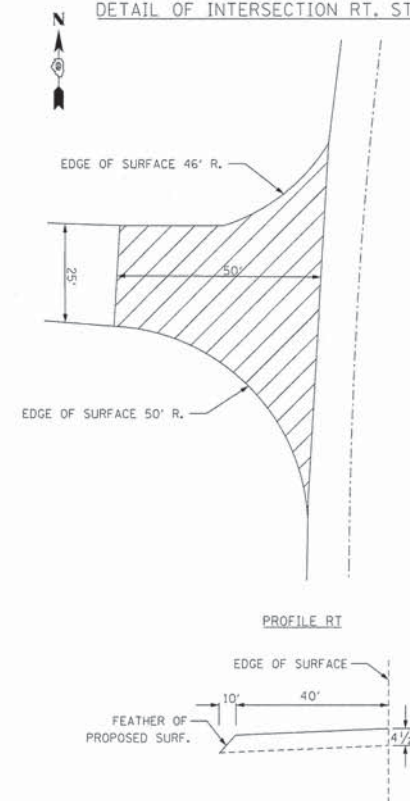
DETAILS OF SURFACING AT INTERSECTIONS AND SIDEROADS

DETAIL OF INTERSECTION RT. STA. 200+72



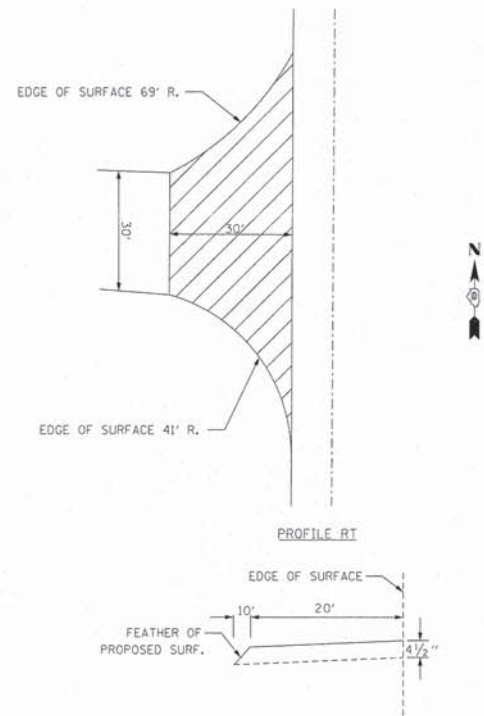
NOTE: THE QUANTITY SHOWN FOR HOT-MIX ASPHALT SURFACE COURSE, MIX "C", N70 INCLUDES 24.2 TONS OF MATERIAL FOR THE SIDEROAD APPROACH AND RADII.

DETAIL OF INTERSECTION RT. STA. 202+75



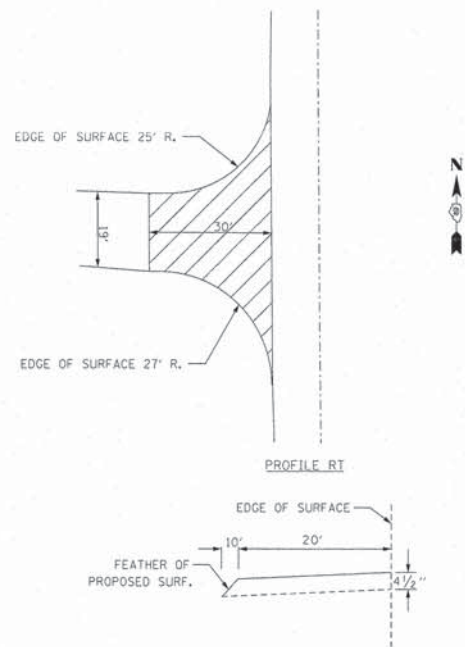
NOTE: THE QUANTITY SHOWN FOR HOT-MIX ASPHALT SURFACE COURSE, MIX "C", N70 INCLUDES 62.5 TONS OF MATERIAL FOR THE SIDEROAD APPROACH AND RADII.

DETAIL OF INTERSECTION RT. STA. 228+48



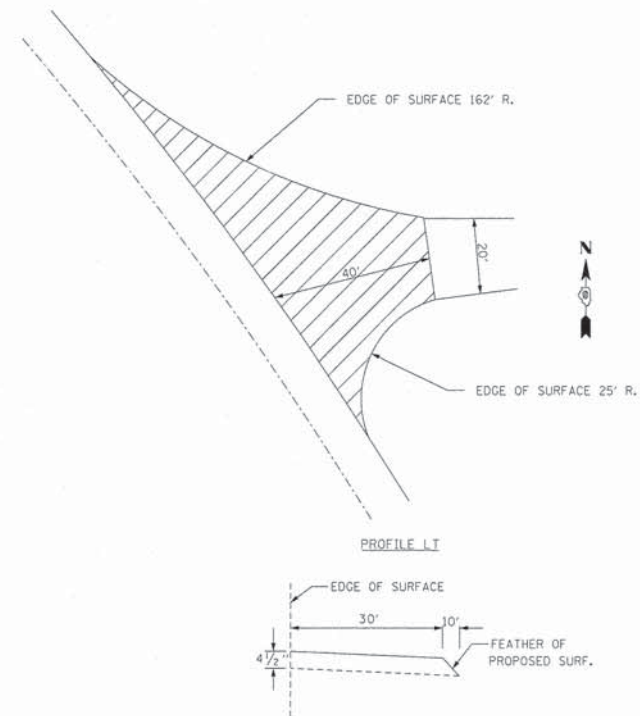
NOTE: THE QUANTITY SHOWN FOR HOT-MIX ASPHALT SURFACE COURSE, MIX "C", N70 INCLUDES 48.5 TONS OF MATERIAL FOR THE SIDEROAD APPROACH AND RADII.

DETAIL OF INTERSECTION RT. STA. 255+14



NOTE: THE QUANTITY SHOWN FOR HOT-MIX ASPHALT SURFACE COURSE, MIX "C", N70 INCLUDES 27.1 TONS OF MATERIAL FOR THE SIDEROAD APPROACH AND RADII.

DETAIL OF INTERSECTION LT. STA. 276+60



NOTE: THE QUANTITY SHOWN FOR HOT-MIX ASPHALT SURFACE COURSE, MIX "C", N70 INCLUDES 60.1 TONS OF MATERIAL FOR THE SIDEROAD APPROACH AND RADII.

F.A.S.	SECTION	COUNTY	TOTAL SHEETS	SHEET NO.
884	12-00121-00-RS	WHITE	6	3
RD. ROAD DIST. NO. 1	ILLINOIS	CENTERVILLE ROAD		
LEC JOB # H151001WH	CONTRACT # 99549			

323 W. 3RD ST.  
P.O. BOX 180  
MT. CARMEL, IL  
62863  
PHONE:  
(618)-262-8651  
FAX:  
(618)-263-3327

ILLINOIS  
PROFESSIONAL  
DESIGN FIRM  
LAND SURVEY,  
PROFESSIONAL  
ENGINEERING &  
STRUCTURAL  
ENGINEERING  
CORPORATION  
184-000959

**LAMAC**  
ENGINEERING  
A Division of Hampton, Lenzini and Renwick, Inc.



AARON M. MEFFORD  
NAME  
*Aaron M. Mefford*  
SIGNATURE  
1-19-16  
DATE  
11-30-17  
EXPIRES

**SCHEDULE OF PAV'T REMOVAL AND REPLACEMENT SPECIAL**

STATION	TO	STATION	LOCATION	WIDTH	AREA (SQ YD)	TON
16000.0		16450.0	RT	4.0	200.0	67.2
16000.0		16050.0	LT	4.0	22.2	7.5
16765.0		16845.0	RT	4.0	35.6	11.9
17255.0		17375.0	RT	4.0	53.3	17.9
18835.0		18955.0	RT	4.0	53.3	17.9
18940.0		18955.0	LT	4.0	6.7	2.2
21565.0		21595.0	RT	4.0	13.3	4.5
22100.0		22125.0	LT	4.0	11.1	3.7
22552.0		22652.0	LT	4.0	44.4	14.9
23150.0		23180.0	LT	4.0	13.3	4.5
23490.0		23550.0	LT	4.0	26.7	9.0
23650.0		23710.0	LT	4.0	26.7	9.0
23890.0		23970.0	LT	4.0	35.6	11.9
24140.0		24240.0	LT	4.0	44.4	14.9
24685.0		24765.0	LT	4.0	35.6	11.9
25000.0		25025.0	LT	4.0	11.1	3.7
25720.0		25820.0	LT	4.0	44.4	14.9
26775.0		26875.0	LT	4.0	44.4	14.9
27385.0		27405.0	RT	4.0	8.9	3.0
27395.0		27405.0	LT	4.0	4.4	1.5
28435.0		28460.0	RT	4.0	11.1	3.7
28440.0		28460.0	LT	4.0	8.9	3.0
<b>TOTALS</b>					<b>755.6</b>	<b>254</b>

THE SCHEDULE ABOVE REFLECTS APPROXIMATE LOCATION AND ESTIMATED QUANTITIES. THE ACTUAL AREAS SHALL BE LOCATED AND MARKED BY THE ENGINEER PRIOR TO CONSTRUCTION. THE ABOVE QUANTITY IS INCLUDED IN PAVEMENT REMOVAL AND REPLACEMENT SPECIAL IN THE SUMMARY OF QUANTITIES.

**SCHEDULE OF MAILBOX TURNOUTS**

STATION	LOCATION	EST. QUANTITY ALLOWED TONS
170+73	LT	5.7
189+38	RT	6.3
202+83+85	LT	2.6
218+04	LT	6.3
221+49	LT	7.0
226+37	LT	2.9
228+44	LT	4.0
230+18	LT	3.9
230+18	RT	7.8
255+59	LT	2.3
<b>TOTAL =</b>		<b>48.8</b>

THE ABOVE QUANTITY IS INCLUDED IN THE HOT-MIX ASPHALT SURFACE COURSE, MIX "C", N70 IN THE SUMMARY OF QUANTITIES.

**SCHEDULE OF PAYEMENT MARKINGS**

STATION	TO	STATION	LOCATION	LENGTH
<b>EDGE LINE (WHITE)</b>				
160+00		162+25	RT.	225
162+65		200+55	RT.	3780
200+80		202+55	RT.	175
203+05		228+20	RT.	2515
228+75		254+95	RT.	2620
255+30		284+60	RT.	2930
<b>EDGE LINE (WHITE)</b>				
160+00		162+20	LT.	220
162+60		276+20	LT.	11360
276+90		284+51	LT.	770
<b>NO PASSING (YELLOW)</b>				
160+00		284+60	LT.	12460
160+00		284+60	RT.	12460
<b>TOTAL</b>				<b>49,515</b>

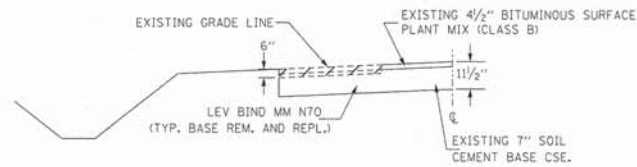
THE ABOVE QUANTITY IS SHOW IN THE PAVEMENT MARKING-LINE 4" IN THE SUMMARY OF QUANTITIES.

F.A.S.	SECTION	COUNTY	TOTAL SHEETS	SHEET NO.
884	12-00121-00-RS	WHITE	6	4
FED. ROAD DIST. NO. 1		ILLINOIS	CENTERVILLE ROAD	
LEC JOB # H15L0011WH		CONTRACT # 99519		

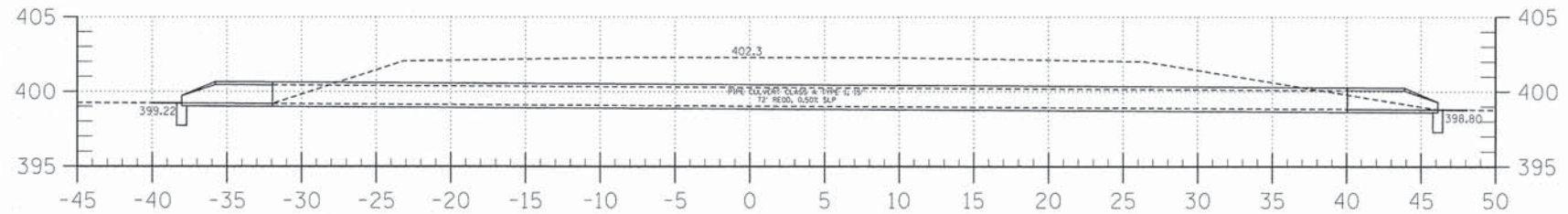
323 W. 3RD ST.  
P.O. BOX 180  
MT. CARMEL, IL  
62863  
PHONE:  
(618)-262-8651  
FAX:  
(618)-263-3327

ILLINOIS  
PROFESSIONAL  
DESIGN FIRM  
LAND SURVEY,  
ENGINEERING &  
STRUCTURAL  
ENGINEERING  
CORPORATION  
184-000959

**DETAIL OF PAVEMENT REMOVAL AND REPLACEMENT SPECIAL**



NOTE: IN THE TYPICAL DETAIL ABOVE THE DISTANCE FROM THE CENTERLINE LEFT OR RIGHT AND THE WIDTH OF PAVEMENT REMOVAL AND REPLACEMENT VARIES. SEE SCHEDULE OF PAVEMENT REMOVAL AND REPLACEMENT SPECIAL FOR PROPOSED LOCATIONS. THE AVERAGE DEPTH MAY BE DEEPER IN AREAS OF CONCERN.



STA 228+48 SIDEROAD RIGHT ACROSS ROAD PIPE CULVERT

**SCHEDULE OF PRIVATE AND FIELD ENTRANCES**

STATION	LOCATION	HMA SC "C" N70 (IN TON)
160+38	RT	5.1
161+35	RT	5.5
168+19	LT	5.5
170+58	LT	7.2
177+79	LT	3.5
177+79	RT	2.3
186+55	LT	6.0
189+22	RT	11.8
202+62	LT	6.9
209+92	RT	5.3
216+25	LT	6.7
217+69	LT	12.9
218+86	RT	6.6
218+98	LT	4.3
221+20	LT	8.9
226+21	LT	6.3
228+63	LT	5.0
230+01	LT	5.4
230+44	RT	12.9
231+41	RT	4.2
232+31	LT	4.8
237+32	LT	5.9
238+23	RT	4.6
247+83	LT	1.9
255+73	LT	6.6
258+19	LT	3.7
260+30	RT	2.9
273+28	LT	12.1
279+52	RT	4.0
283+70	LT	2.7
284+49	LT	1.9
<b>TOTAL =</b>		<b>183.2</b>

THE ABOVE QUANTITY IS INCLUDED IN THE HOT-MIX ASPHALT SURFACE COURSE, MIX "C", N70 IN THE SUMMARY OF QUANTITIES.

**SCHEDULE OF AGGREGATE SHOULDER STONE IN TANGENT**

STATION	TO	STATION	LOCATION	TON
16000.00		16079.69	LT	9.6
17680.20		18922.09	LT	131.7
20485.13		25974.55	LT	433.9
27093.68		27214.05	LT	7.9
28407.64		28460.00	LT	49.7
<b>TOTAL LT</b>				<b>632.8</b>
STATION	TO	STATION	LOCATION	TON
16000.00		16079.69	RT	6.8
17680.20		18922.09	RT	151.6
20485.13		25974.55	RT	379.0
27093.68		27214.05	RT	6.4
28407.64		28460.00	RT	49.7
<b>TOTAL RT</b>				<b>593.4</b>
<b>TOTAL</b>				<b>1226.2</b>

THE ABOVE QUANTITY IS FOR THE ENTIRE SECTION AND IS INCLUDED IN THE QUANTITY FOR AGGREGATE SHOULDERS, TYPE B IN THE SUMMARY OF QUANTITIES.

**SCHEDULE OF AGGREGATE SHOULDER STONE IN SUPERELEVATION**

STATION	TO	STATION	LOCATION	TON
16079.69		17680.20	LT	99.3
18922.09		20485.13	LT	128.2
25974.55		27093.68	LT	100.8
27214.05		28407.64	LT	58.5
<b>TOTAL LT</b>				<b>386.8</b>
STATION	TO	STATION	LOCATION	TON
16079.69		17680.20	RT	148.9
18922.09		20485.13	RT	78.2
25974.55		27093.68	RT	53.7
27214.05		28407.64	RT	92.0
<b>TOTAL RT</b>				<b>372.8</b>
<b>TOTAL</b>				<b>759.6</b>

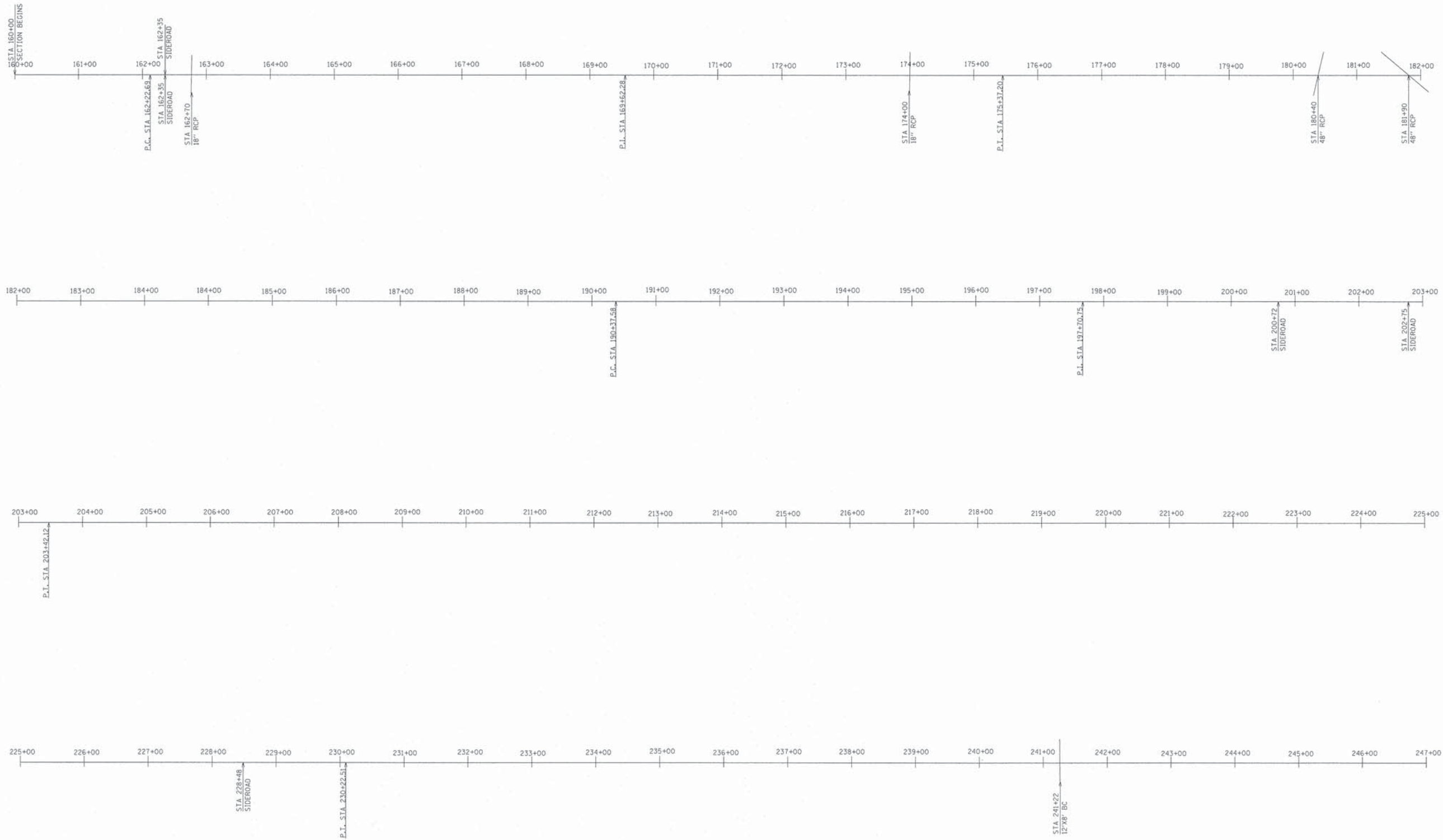
THE ABOVE QUANTITY IS FOR THE ENTIRE SECTION AND IS INCLUDED IN THE QUANTITY FOR AGGREGATE SHOULDERS, TYPE B IN THE SUMMARY OF QUANTITIES.

**LAMAC**  
ENGINEERING  
A Division of Hampton, Lenzini and Renwick, Inc.



AARON M. MEFFORD  
NAME  
*Aaron Mefford*  
SIGNATURE  
1-19-16  
DATE  
11-30-17  
EXPIRES

F.A.S.	SECTION	COUNTY	TOTAL SHEETS	SHEET NO.
884	12-00121-00-85	WHITE	6	5
RD ROAD DIST NO 3	ILLINOIS	CENTERVILLE ROAD		
LEC JOB # H151L001WH	CONTRACT # 99549			



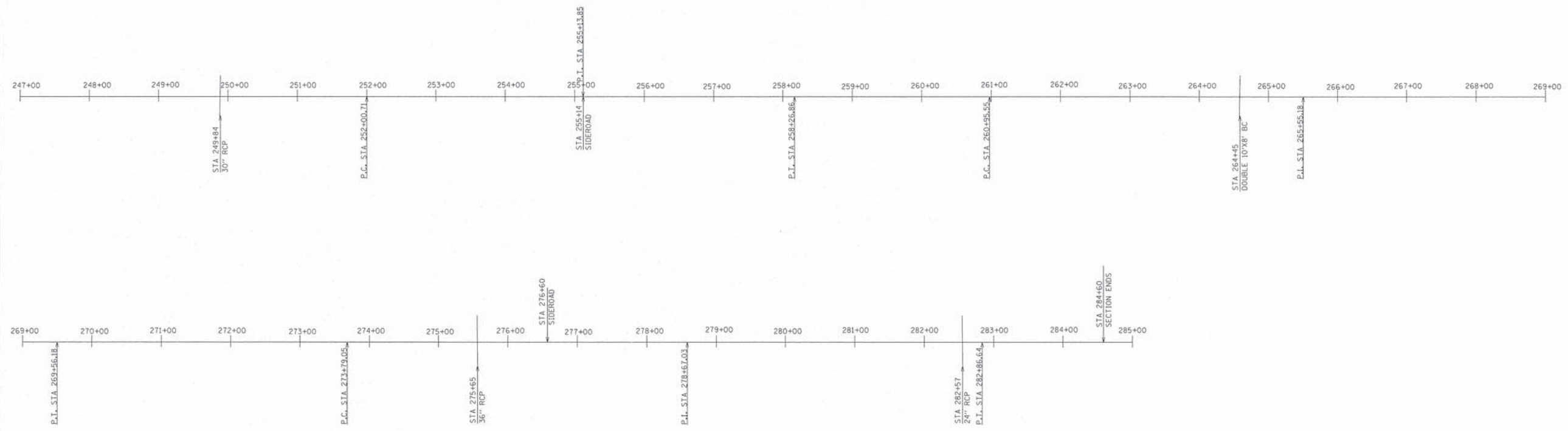
323 W. 3RD ST.  
P.O. BOX 160  
MT. CARMEL, IL  
62863  
PHONE:  
(618)-262-8651  
FAX:  
(618)-263-3327

ILLINOIS  
PROFESSIONAL  
DESIGN FIRM  
LAND SURVEY,  
PROFESSIONAL  
ENGINEERING &  
STRUCTURAL  
ENGINEERING  
CORPORATION  
184-000959

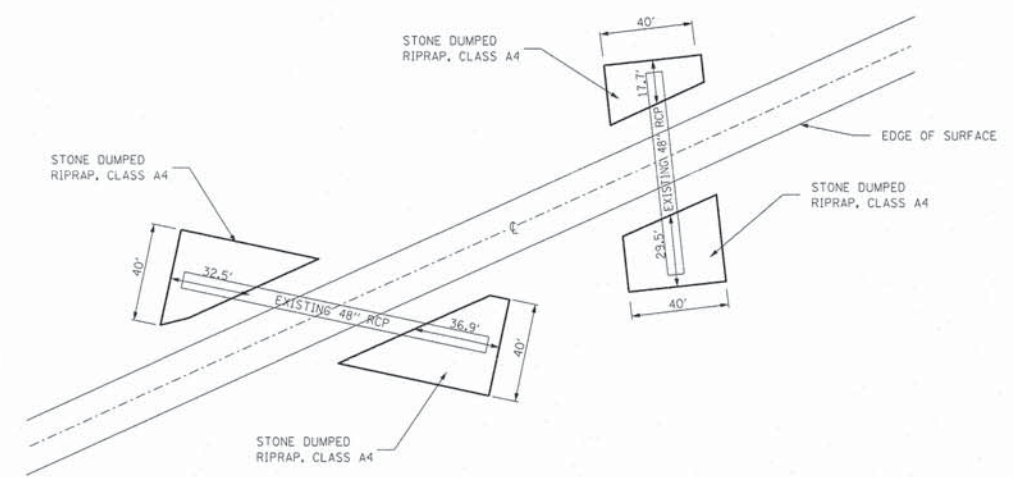


AARON M. MEFFORD  
NAME  
*Aaron Mefford*  
SIGNATURE  
1-19-16  
DATE  
11-30-17  
EXPIRES

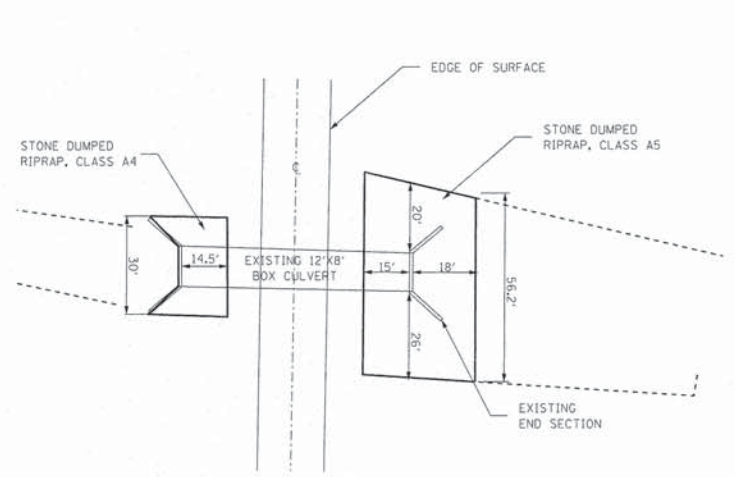
F.A.S.	SECTION	COUNTY	TOTAL SHEETS	SHEET NO.
884	12-00121-00-RS	WHITE	6	6
FED. ROAD DIST. NO. 1 ILLINOIS			CENTERVILLE ROAD	
LEG JOB # H15L001WH			CONTRACT # 99549	



DETAIL OF RIPRAP AREAS AT STA. 180+40 AND STA. 181+90



DETAIL OF RIPRAP AREA AT STA. 241+22 LT & RT



NOTE: THE STONE DUMPED RIPRAP PRICE SHALL INCLUDE THE REMOVAL OF ANY BRUSH OR TREES NECESSARY TO COMPLETE THE INSTALLATION OF THE RIPRAP IN THE AREAS SHOWN ABOVE. THE REMOVAL SHALL BE CONSIDERED INCLUDED IN THE PRICE OF THE STONE DUMPED RIPRAP.

STONE DUMPED RIPRAP, CLASS A4							
STATION	SIDE OF ROAD	LOCATION	LENGTH	WIDTH	AREA	THICKNESS	QUANTITY
			FOOT	FOOT	SQ YD	INCHES	TONS
180+40	RIGHT	AROUND 48" RCP	17.7	40	79.1	16	63
180+40	LEFT	AROUND 48" RCP	12	40	130.3	16	104
181+90	RIGHT	AROUND 48" RCP	32.5	40	134.2	16	107
181+90	LEFT	AROUND 48" RCP	36.9	40	157.9	16	126
241+22	RIGHT	ABOVE POURED END	14.5	30	59.5	16	48
					0		0
TOTAL					561		448

STONE DUMPED RIPRAP, CLASS A5							
STATION	SIDE OF ROAD	LOCATION	LENGTH	WIDTH	AREA	THICKNESS	QUANTITY
			FOOT	FOOT	SQ YD	INCHES	TONS
241+22	LEFT	AROUND END SECTION	34.8	56.2	224.8	22	247
					0		0
TOTAL					224.8		247

323 W. 3RD ST.  
P.O. BOX 180  
MT. CARMEL, IL  
62863  
PHONE: (618)-262-8651  
FAX: (618)-263-3327

ILLINOIS PROFESSIONAL DESIGN FIRM  
LAND SURVEY, PROFESSIONAL ENGINEERING & STRUCTURAL ENGINEERING CORPORATION  
184-00959



AARON M. MEFFORD  
NAME  
SIGNATURE  
DATE  
11-30-17  
EXPIRES