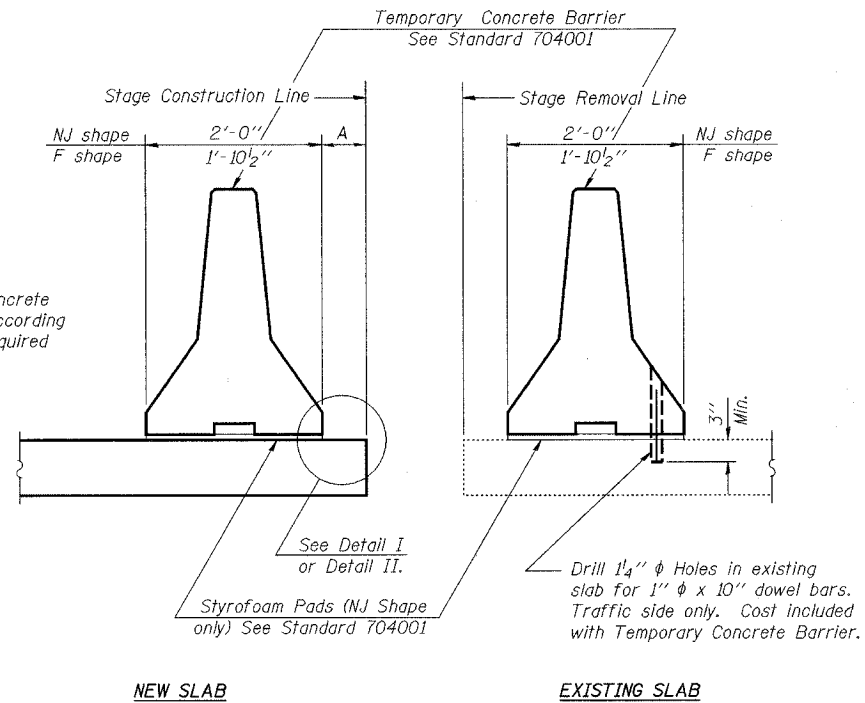


STATE OF ILLINOIS
DEPARTMENT OF TRANSPORTATION

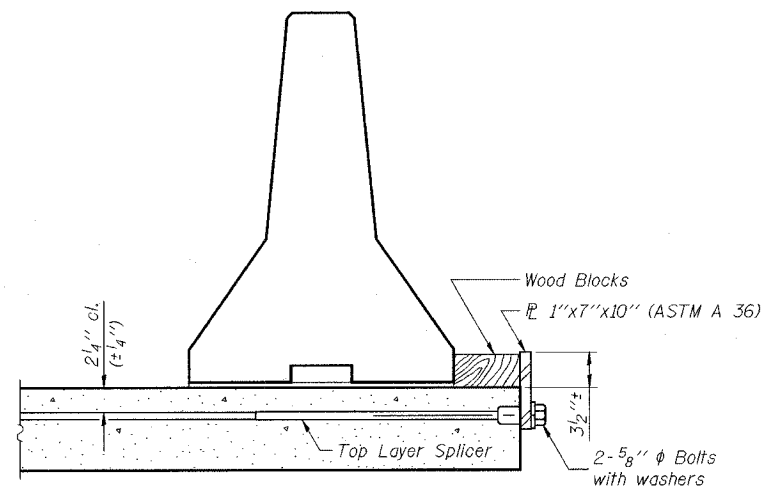
ROUTE NO. F.A.P. 778	SECTION (2-B)-1	COUNTY SALINE	TOTAL SHEETS 74	SHEET NO. 15	SHEET NO. 3 8 SHEETS
FED. ROAD DIST. NO. 4		ILLINOIS	FED. AID PROJECT-		



SECTIONS THRU SLAB

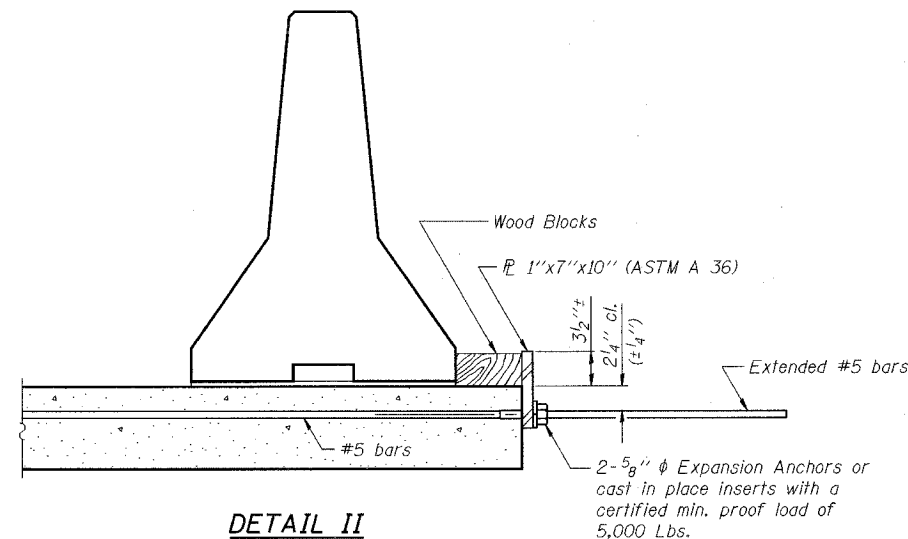
NOTES

- Detail I - With Bar Splicer or Couplers:
Connect one (1) 1"x7"x10" steel \bar{P} to the top layer of couplers with 2-5/8" ϕ bolts screwed to coupler at approximate \bar{C} of each barrier panel.
- Detail II - With Extended Reinforcement Bars:
Connect one (1) 1"x7"x10" steel \bar{P} to the concrete slab with 2-5/8" ϕ Expansion Anchors or cast in place inserts spaced between the top layer of reinforcement at approximate \bar{C} of each barrier panel.
- Cost of anchorage is included with Temporary Concrete Barrier.



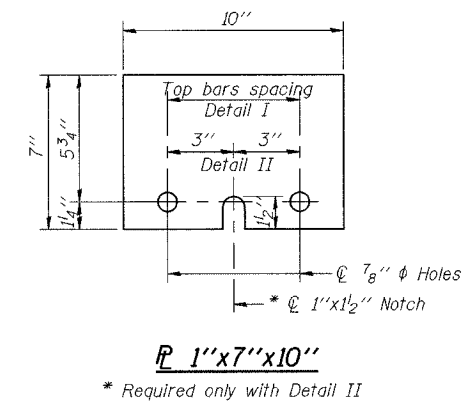
DETAIL I

The 1"x7"x10" Plate shall not be removed until Stage II Construction forms and reinforcement bars are in place.



DETAIL II

The 1"x7"x10" Plate shall not be removed until Stage II Construction forms and all reinforcement bars are in place and the concrete is ready to be placed.



DESIGNED	SBM
CHECKED	KMN
DRAWN	MSJ
CHECKED	WCC

R-27 10-31-02

TEMPORARY CONCRETE BARRIERS
IL. ROUTE 34 OVER UNNAMED TRIBUTARY
TO SOUTH FORK SALINE RIVER
FAP ROUTE 778 - SEC. (2-B)-1
SALINE COUNTY
STATION 435+63
STRUCTURE NO. 083-2015