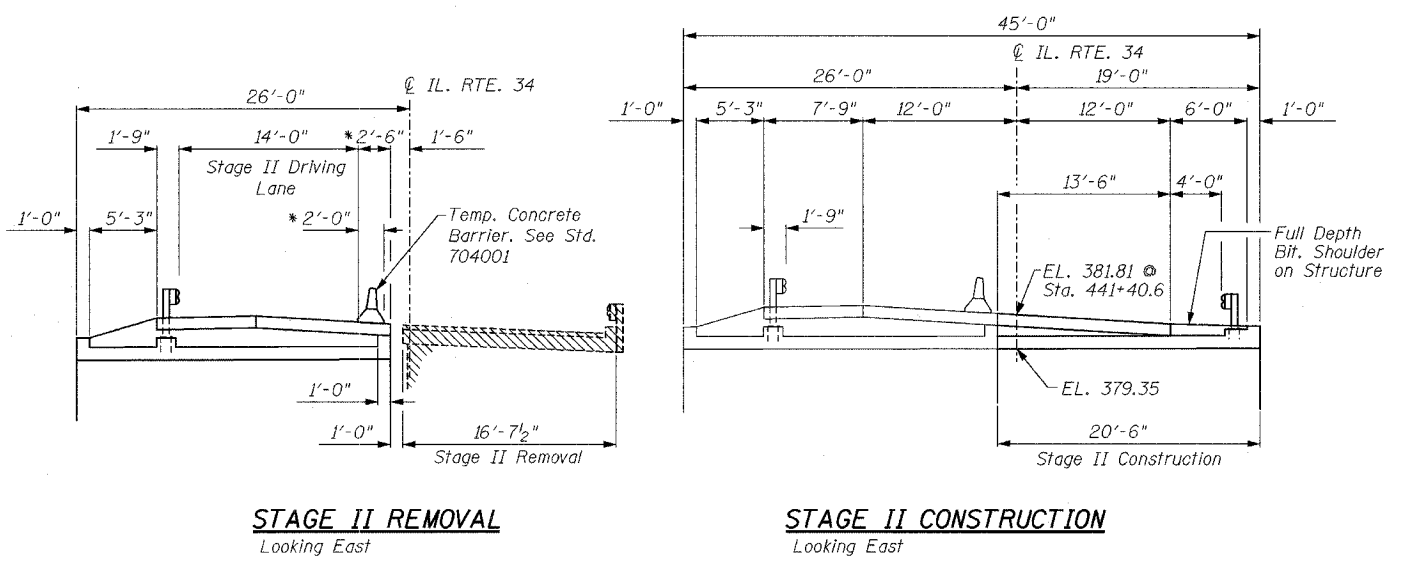
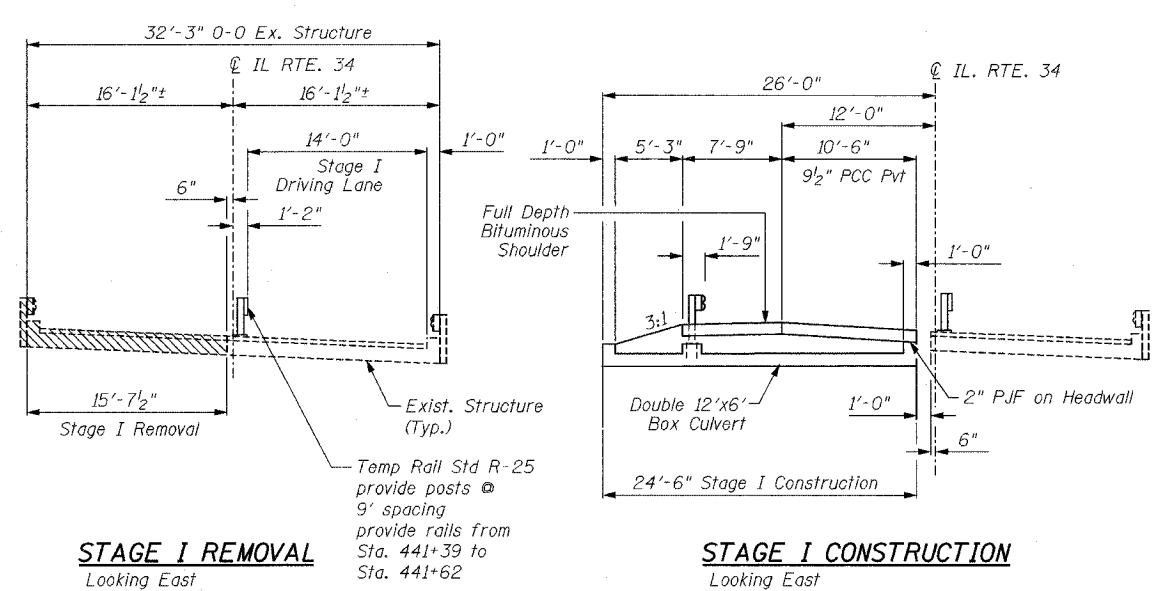


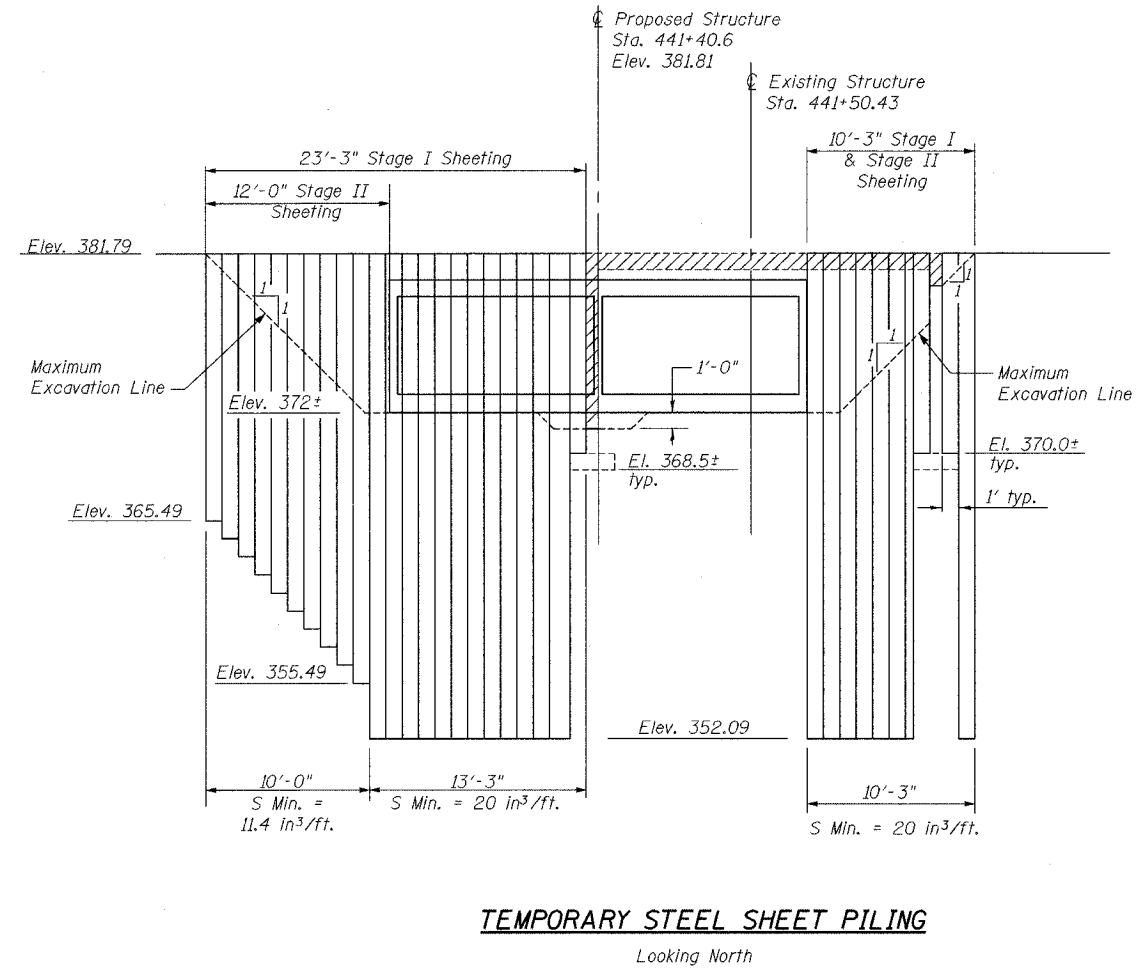
STATE OF ILLINOIS
DEPARTMENT OF TRANSPORTATION

ROUTE NO.	SECTION	COUNTY	SHEET NO.	SHEET TOTAL
F.A.P. 778	(2B-1)-1	SALINE	74	44
FED. ROAD DIST. NO. 9	ILLINOIS	FED. AID PROJECT-		

SHEET NO. 2
8 SHEETS



* Based on NJ Shape Temp. Conc. Barrier



Note:
Hatched areas indicate portions of existing structure to be removed.

If the Contractor chooses to alter the temporary cantilevered sheet piling design requirements shown on the plans, a design submittal including plan details and calculations will be required for review and acceptance by the Engineer.

The Contractor shall connect the first sheet to the existing abutment wall to ensure stability of sheets driven to the top of the existing footing. This connection shall be reviewed and accepted by the Engineer and included in the cost of Temporary Sheet Piling.

DESIGNED	SBM
CHECKED	KMN
DRAWN	MSJ
CHECKED	WCC

**STAGE CONSTRUCTION AND
TEMP. SHEET PILING DETAILS
IL. ROUTE 34 OVER UNNAMED TRIBUTARY
TO SOUTH FORK SALINE RIVER
FAP ROUTE 778 - SEC. (2B-1)-1
SALINE COUNTY
STATION 441+40.60
STRUCTURE NO. 083-2016**